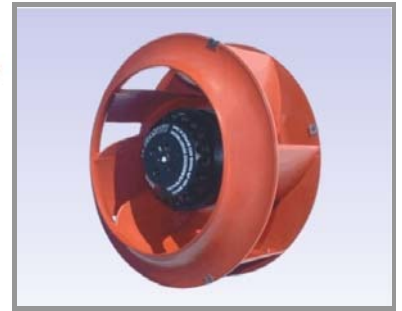
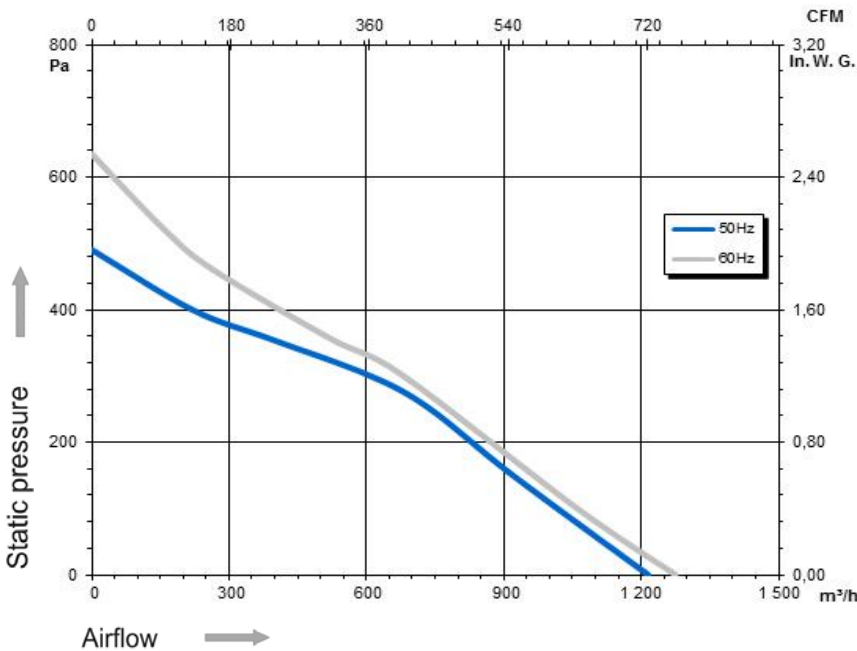
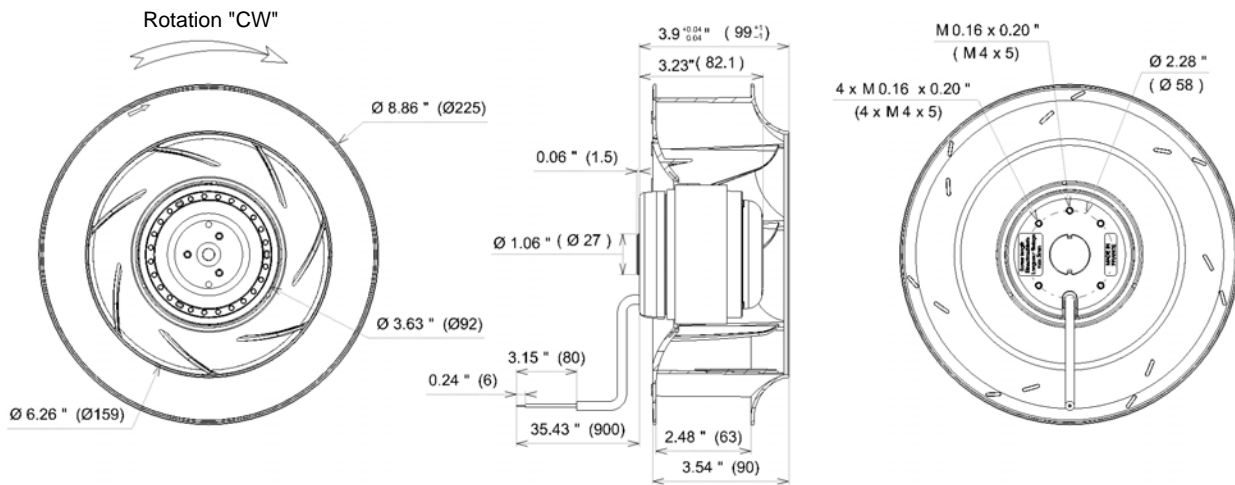


2RREu35 225x63R P/N B12-A3

Voltage	Frequency	Input power	Current	Capacitor	Airflow	Speed rotation	Noise level	Rotation direction	Operating temperature	ErP 2013	ErP 2015
V	Hz	Wa	A	µF	m³/h	RPM	dBA	↻	Min / Max		
115	50	156	1,36	18,0	1 215	2 560	67	R	-40°C / +50°C	NOK	NOK
115	60	212	1,86	18,0	1 285	2 695	69	R	-40°C / +50°C		
115	50				715 CFM				-40°F / +122°F		
115	50				756 CFM				-40°F / +122°F		



dBa : free let out



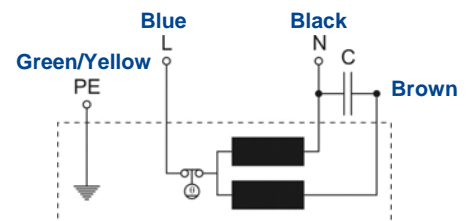
- Weight : 2,4 Kg
- Ball bearing
- Class F, thermally protected
- IP44 protection depending on installation and position as per EN60034-5
- G2.5 balancing
- Rotor : black paint
- PA 6/6 UL 94 V-0 plastic impeller
- UL approved motor



UL2111 (XEW2,8)
N° File E135223
2RS935



Capacitor for 50Hz: 19225
Capacitor for 60Hz: 19225



Non contractual document. All specifications are subject to change without prior notice. Picture for information only.