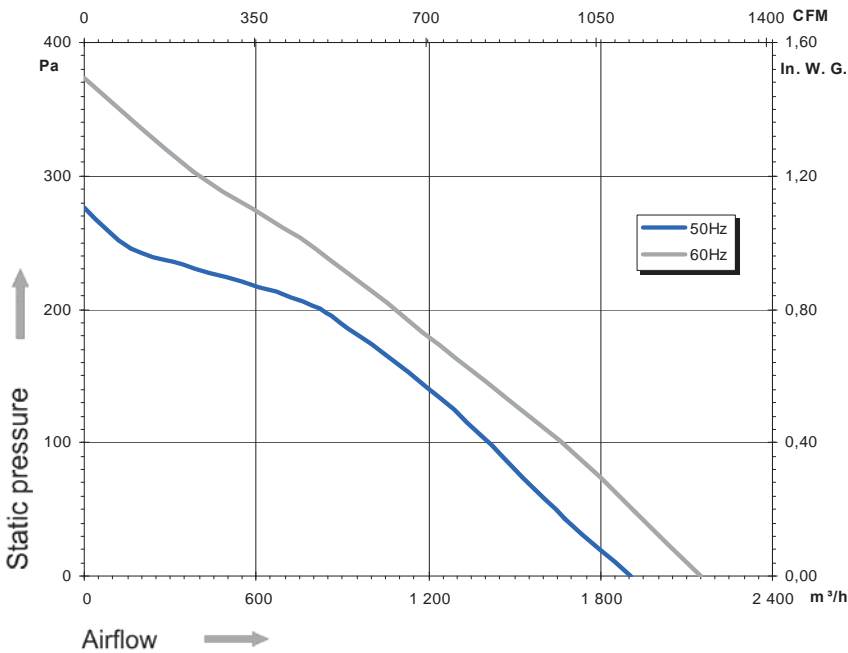
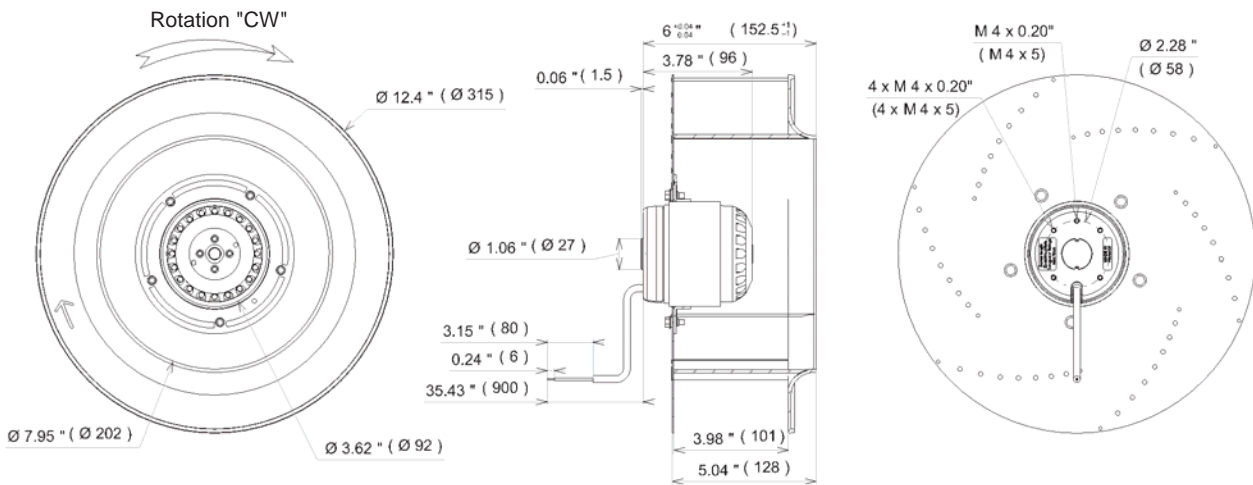


4RREu45 315x101R P/N Y06-09

Voltage	Frequency	Input power	Current	Capacitor	Airflow	Speed rotation	Noise level	Rotation direction	Operating temperature	ErP 2013	ErP 2015
V	Hz	Wa	A	µF	m³/h	RPM	dBA	↻	Min / Max		
230	50	128	0,57	4,0	1 905	1 340	61	R	-40°C / +60°C	NOK	NOK
230	60	163	0,71	4,0	2 150	1 525	64	R	-40°C / +70°C		
230	50				1121 CFM				-40°F / +140°F		
230	50				1265 CFM				-40°F / +158°F		



dBa : free let out



- Weight : 3,9 Kg

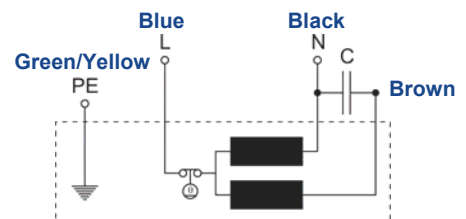
- Ball bearing
- Class F, thermally protected
- IP44 protection depending on installation and position as per EN60034-5
- G2.5 balancing
- Rotor : black paint
- PA 6/6 UL 94 V-0 plastic impeller
- UL approved motor



UL2111 (XEW2,8)
N°File E135223
4RS945



Capacitor for 50Hz	Capacitor for 60Hz	Inlet cone
19220	19220	16151



Non contractual document. All specifications are subject to change without prior notice. Picture for information only.