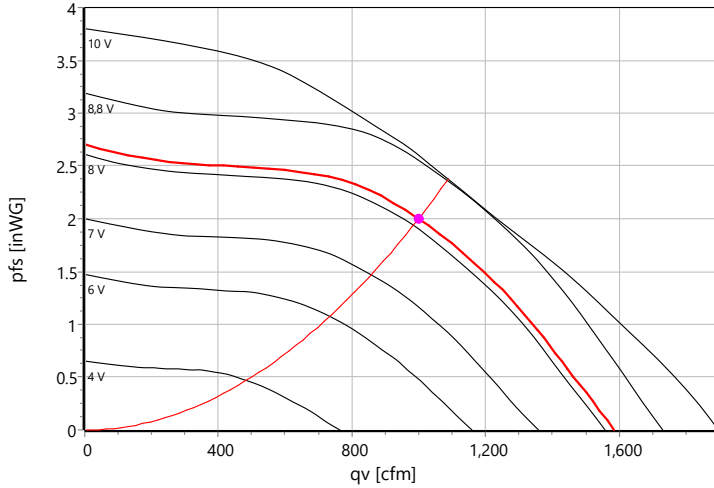




Type: **GKHR 280-CIE.065.4EA IE HP**
Part no.: **N42-28000**



Curve:



p: 1.15 kg/m³; Data @ 230 V

Operating Point:

q _v	1000	cfm
p _{fs}	2	inWG
p _{fd}	0.2	inWG
η _{ed,fs}	57	%
η _{ed,tot}	61	%
P _{ed}	0.416	kW
I	1.8	A
n	2944	r/min
L _{WA A,OUT}	77	dB(A)
U _c	8.1	V
v	27.1	ft/s
SFP	883	Ws/m ³
FEI	1.9	
t _{R,OP}	49	°C

ErP-Data:

(EU) Nr. 327/2011	(Lot11)	
q _v	1021	cfm
p _{fs}	2.55	inWG
η _{fs}	63.7	%
P _{ed}	0.534	kW
n	3214	r/min
N	77	
v	27.6	ft/s

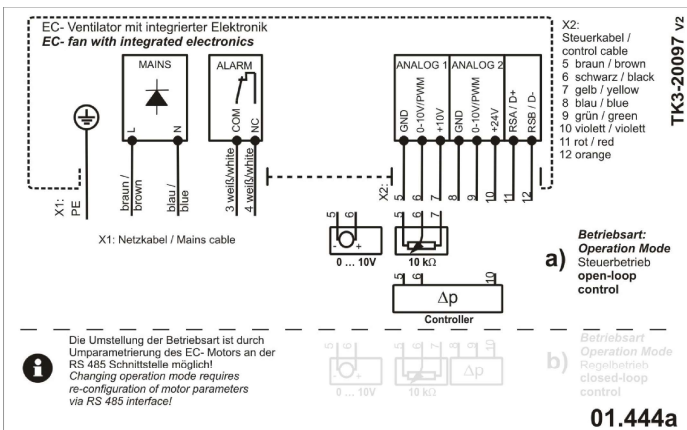
Nominal Data:

U [V]	f [Hz]	Data @ [V]	P _{ed} [kW]	I _N [A]	n _N [r/min]	t _R [°C]	k ₁₀ [m ² /h]	Eff.-Rating	IP	m [kg]
1~200-277	50/60	230	0.53	2.35	3200	-25 .. +40	72	IE4	IP 54	4.7

Sound Data:

Frequency	Σ	63Hz	125Hz	250Hz	500Hz	1kHz	2kHz	4kHz	8kHz	Distances	1 m	4 m
L _{WA(A,in)} [dB(A)]	72	39	46	61	67	66	66	60	57	L _{pA(A,in)} [dB(A)]	65	54
L _{WA(A,out)} [dB(A)]	77	45	52	66	72	71	71	66	60	L _{pA(A,out)} [dB(A)]	70	59

Wiring Diagram:



drawing:

