



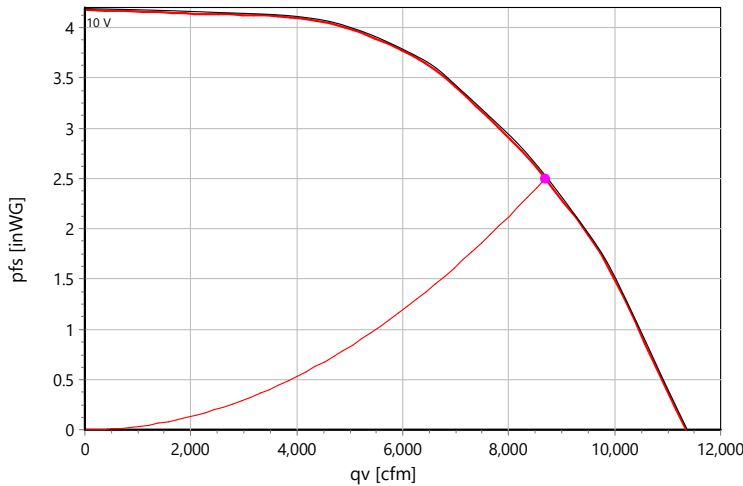
Plug Fan

Type: **GKHM 630-CIB.200.6NA IE Gen3**

Art.-No.: N88-63315



Curve:



p: 1.15 kg/m³; Data @ 400 V

Operating Point:

q _v	8684	cfm
p _{fs}	2.5	inWG
p _{fd}	0.2	inWG
η _{ed,fs}	59	%
η _{ed,tot}	63	%
P _{ed}	4.36	kW
I	6.66	A
n	1327	r/min
L _{wA A,OUT}	90	dB(A)
U _c	9.48	V
v	29.9	ft/s
SFP	1064	Ws/m ³
FEI	1.34	
t _{R,OP}	42	°C

ErP-Data:

(EU) Nr. 327/2011	(Lot11)	
q _v	6697	cfm
p _{fs}	3.57	inWG
η _{ed,fs}	66.1	%
P _{ed}	4.47	kW
n	1330	r/min
N	70	
v	23.0	ft/s

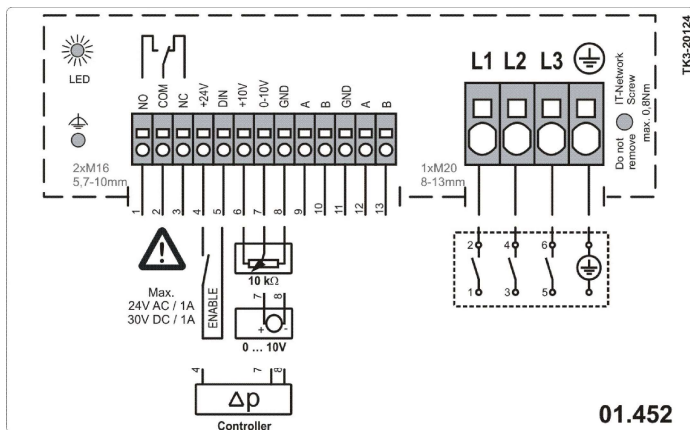
Nominal Data:

U [V]	f [Hz]	Data @ [V]	P _{ed} [kW]	I _N [A]	n _N [r/min]	t _R [°C]	k ₁₀ [m ² /h]	I _A / I _N	IP	m [kg]
3~380-480	50/60	400	4.5	6.9	1330	40	316	-	IP 54	75

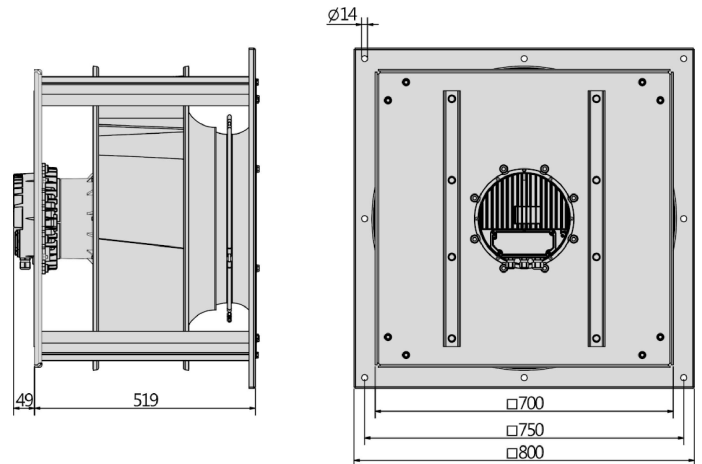
Sound Data:

Frequency	Σ	63Hz	125Hz	250Hz	500Hz	1kHz	2kHz	4kHz	8kHz	Distances	1 m	4 m
L _{wA(A,in)} [dB(A)]	83	50	72	74	75	77	76	73	62	L _{pA(A,in)} [dB(A)]	76	66
L _{wA(A,out)} [dB(A)]	90	59	79	81	83	85	83	79	68	L _{pA(A,out)} [dB(A)]	83	73

Wiring Diagram:



Drawing:



Data @ 460V: 4.5 kW; 6.0 A; 1330 1/min