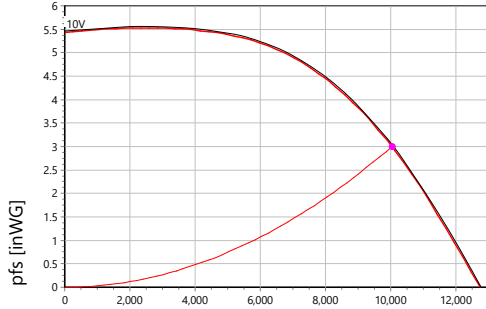




Plug Fan
Type: **GKHM 630-CEB.200.8LA**
Art.-No.: N88-63314



Curve:



Operating Point:

qv	10038	cfm
pfs	3	inWG
pfd	0.3	inWG
η _{ed,fs}	58	%
η _{ed,tot}	64	%
P _{ed}	6.1	kW
I	9.4	A
n	1496	1/min
L _{wA 8}	95	dB(A)
Control	9.5	V
SFP	62.0	Ws/m ³
v	34.7	ft/s

ErP-Data:

Type:	Lot11	
qv	7202	cfm
pfs	4.847	inWG
η _{ed,fs}	66.4	%
P _{ed}	6.43	kW
n	1500	1/min
N	69	
v	24.9	ft/s

qv [cfm]

Density: 1.2 kg/m³

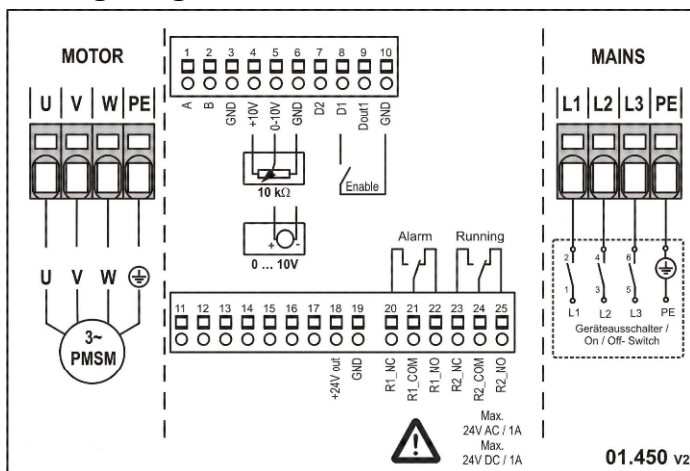
Technical Data:

U [V]	f [Hz]	P _e [kW]	I _N [A]	n _N [1/min]	C [μF]	t _r [°C]	k ₁₀ [m ² s/h]	I _A / I _N	IP	m [kg]
3~380-480	50/50	6.6	9.8	1500	-	40	318	-	IP 54	94

Sound:

		Σ	125Hz	250Hz	500Hz	1KHz	2KHz	4KHz	8KHz
L _{wA5} [db(A)]	Inlet	88	77	79	80	82	81	78	67
L _{wA6} [db(A)]	Outlet	92	81	83	85	87	85	81	70
L _{wA8} [db(A)]	Outlet	95	84	86	88	90	88	84	73

Wiring Diagram:



Drawing:

