



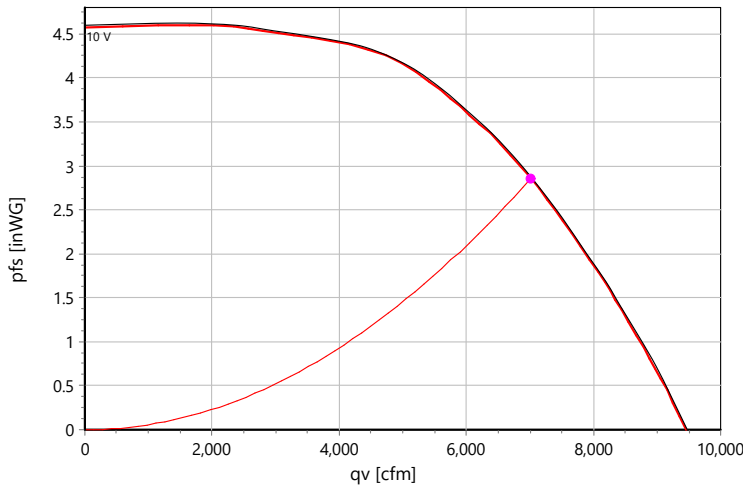
Plug Fan

Type: **GKHM 560-CIB.180.6IF IE Gen3**

Art.-No.: N88-56309



Curve:



p: 1.15 kg/m³; Data @ 400 V

Operating Point:

q _v	7011	cfm
p _{fs}	2.86	inWG
p _{fd}	0.2	inWG
η _{ed,fs}	61	%
η _{ed,tot}	65	%
P _{ed}	3.92	kW
I	6.01	A
n	1577	r/min
L _{wA A,OUT}	90	dB(A)
U _c	9.48	V
v	30.2	ft/s
SFP	1185	Ws/m ³
FEI	1.37	
t _{R,OP}	42	°C

ErP-Data:

(EU) Nr. 327/2011	(Lot11)	
q _v	5525	cfm
p _{fs}	3.92	inWG
η _{ed,fs}	67	%
P _{ed}	3.27	kW
n	1580	r/min
N	71	
v	23.8	ft/s

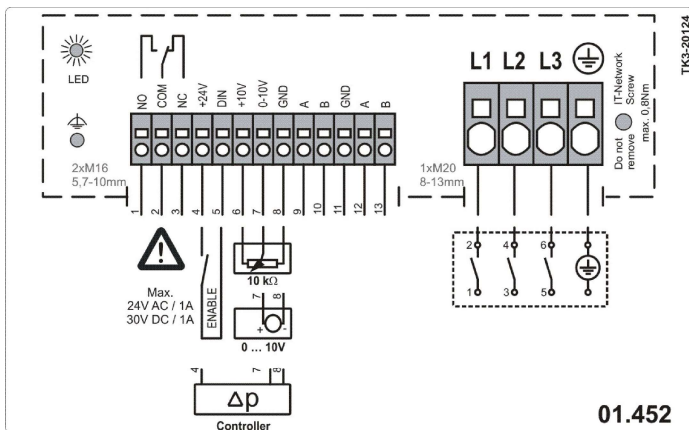
Nominal Data:

U [V]	f [Hz]	Data @ [V]	P _{ed} [kW]	I _N [A]	n _N [r/min]	t _R [°C]	k ₁₀ [m ² /h]	I _A / I _N	IP	m [kg]
3~380-480	50/60	400	4.05	6.2	1580	40	265	-	IP 54	60

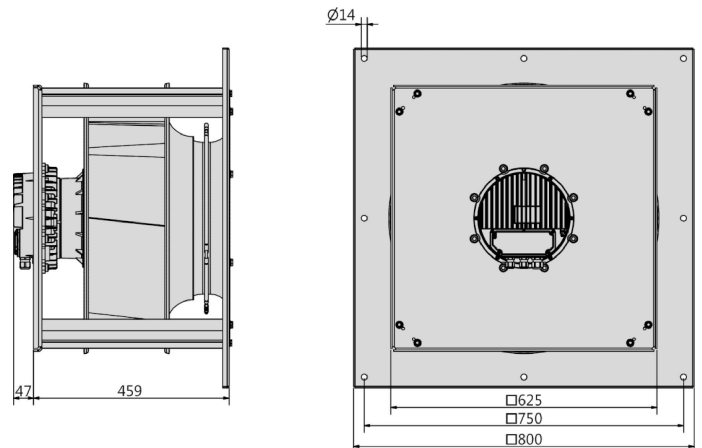
Sound Data:

Frequency	Σ	63Hz	125Hz	250Hz	500Hz	1kHz	2kHz	4kHz	8kHz	Distances	1 m	4 m
L _{wA(A,in)} [dB(A)]	83	51	71	73	76	77	76	73	67	L _{pA(A,in)} [dB(A)]	76	66
L _{wA(A,out)} [dB(A)]	90	60	78	81	83	85	82	78	71	L _{pA(A,out)} [dB(A)]	83	73

Wiring Diagram:



Drawing:



Data @ 460V: 4.05 kW; 5.4 A; 1580 1/min