



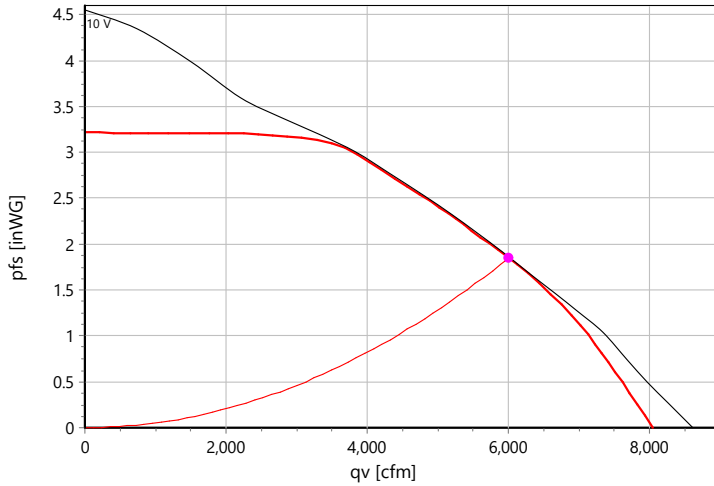
Plug Fan

Type: **GKHM 560-CIB.180.6IF IE Gen3**

Art.-No.: N88-56309



**Curve:**



p: 1.15 kg/m<sup>3</sup>; Data @ 230 V

**Operating Point:**

q <sub>v</sub>	6000	cfm
p <sub>fs</sub>	1.85	inWG
p <sub>fd</sub>	0.2	inWG
η <sub>ed,fs</sub>	58	%
η <sub>ed,tot</sub>	63	%
P <sub>ed</sub>	2.25	kW
I	6	A
n	1307	r/min
L <sub>wA A,OUT</sub>	87	dB(A)
U <sub>c</sub>	7.94	V
v	25.9	ft/s
SFP	795	Ws/m <sup>3</sup>
FEI	1.45	
t <sub>R,OP</sub>	42	°C

**ErP-Data:**

(EU) Nr. 327/2011	(Lot11)	
q <sub>v</sub>	5525	cfm
p <sub>fs</sub>	3.92	inWG
η <sub>ed,fs</sub>	67	%
P <sub>ed</sub>	4.01	kW
n	1580	r/min
N	71	
v	23.8	ft/s

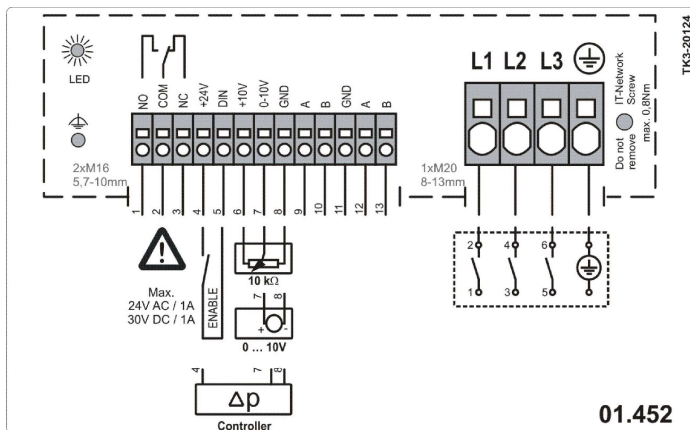
**Nominal Data:**

U [V]	f [Hz]	Data @ [V]	P <sub>ed</sub> [kW]	I <sub>N</sub> [A]	n <sub>N</sub> [r/min]	t <sub>R</sub> [°C]	k <sub>10</sub> [m <sup>2</sup> /h]	I <sub>A</sub> / I <sub>N</sub>	IP	m [kg]
3~200-240	50/60	230	2.3	6.1	1300	40	265	-	IP 54	60

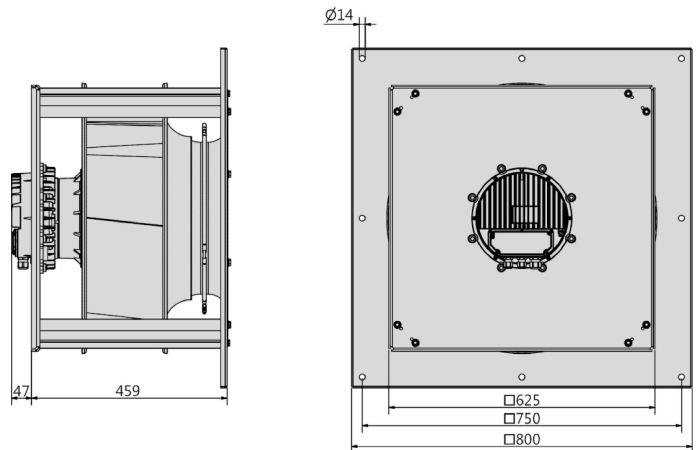
**Sound Data:**

Frequency	Σ	63Hz	125Hz	250Hz	500Hz	1kHz	2kHz	4kHz	8kHz	Distances	1 m	4 m
L <sub>wA(A,in)</sub> [dB(A)]	80	41	68	70	73	74	73	70	64	L <sub>pA(A,in)</sub> [dB(A)]	73	63
L <sub>wA(A,out)</sub> [dB(A)]	87	51	75	78	80	82	79	75	68	L <sub>pA(A,out)</sub> [dB(A)]	80	70

**Wiring Diagram:**



**Drawing:**



Data @ 208V: 1,94 kW; 5,7 A; 1230 1/min