



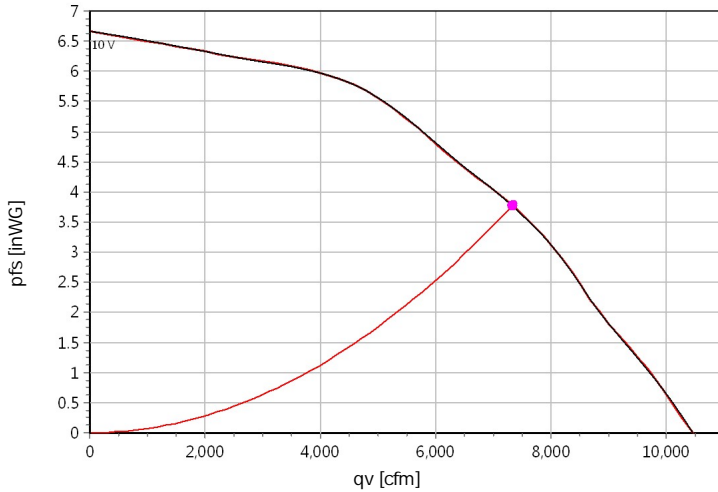
Plug Fan

Type: **GKHM 560-CEG.16Q.6NA IE**

Art.-No.: N88-56601



Curve:



Density: 1.2 kg/m³

Operating Point:

qv	7328	cfm
Dfs	3.78	inWG
Drd	0.3	inWG
η _{ed,fs}	65	%
η _{ed,tot}	70	%
P _{ed}	5.04	kW
I	8.2	A
n	1950	1/min
L _{wA A,OUT}	92	dB(A)
Control	10	V
SFP	70.1	Ws/m ³
v	34.4	ft/s

ErP-Data:

Type:	Lot11	
qv	7175	cfm
p _{fs}	3.739	inWG
η _{ed,fs}	67.3	%
P _{ed}	4.87	kW
n	1950	1/min
N	71	
v	33.7	ft/s

Set point:

qv	7371	cfm
p _{fs}	3.82	inWG

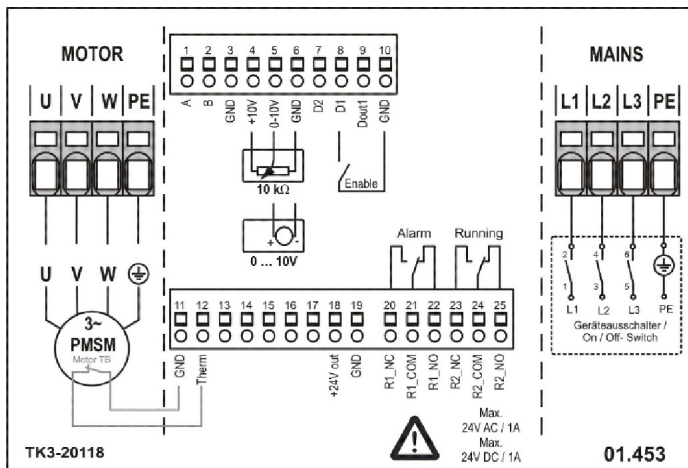
Technical Data:

U [V]	f [Hz]	P _e [kW]	I _N [A]	n _N [1/min]	C [μF]	t _R [°C]	k ₁₀ [m ² s/h]	I _A / I _N	IP	m [kg]
3- 380-480	50/60	5.1	8.2	1680	-	40	234	-	IP 54	74

Sound:

		63Hz	125Hz	250Hz	500Hz	1KHz	2KHz	4KHz	8KHz
L _{wA(A,in)} [dB(A)]	86	49	63	81	81	78	77	75	70
L _{wA(A,out)} [dB(A)]	92	56	72	85	86	86	85	81	73

Wiring Diagram:



Drawing:

