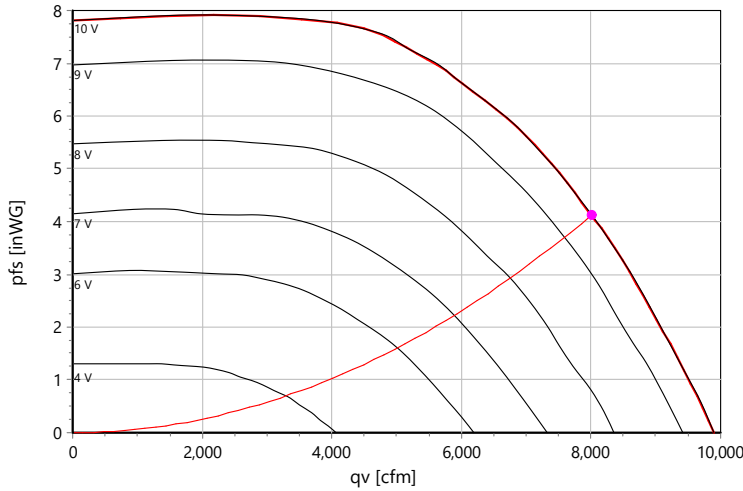




Type: **GKHR 500-CIB.160.6NA IE Gen3+**
Art.-No.: N86-50304



Curve:



p: 1.21 kg/m³; Data @ 400 V

Operating Point:

q _v	8011	cfm
p _{fs}	4.12	inWG
p _{fd}	0.5	inWG
η _{ed,fs}	56	%
η _{ed,tot}	62	%
P _{ed}	6.93	kW
I	11	A
n	2225	r/min
L _{wA A,OUT}	98	dB(A)
U _c	10	V
v	43.4	ft/s
SFP	1834	Ws/m ³
FEI	1.2	
t _{R,OP}	41	°C

ErP-Data:

(EU) Nr. 327/2011	(Lot11)	
q _v	6646	cfm
p _{fs}	5.73	inWG
η _{fs}	67.3	%
P _{ed}	7.01	kW
n	2225	r/min
N	69	
v	36.0	ft/s

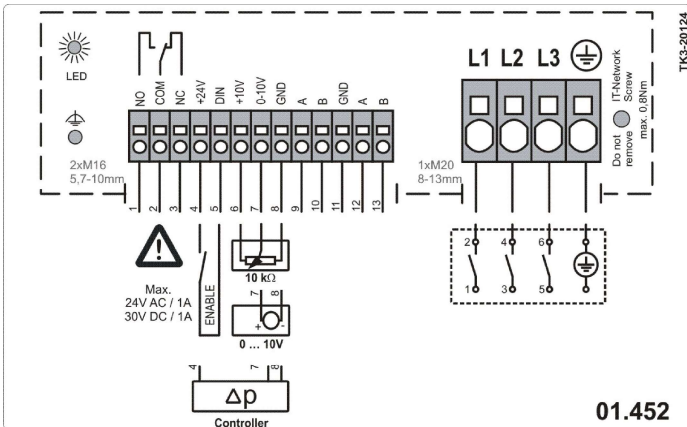
Nominal Data:

U [V]	f [Hz]	Data @ [V]	P _{ed} [kW]	I _N [A]	n _N [r/min]	t _R [°C]	k ₁₀ [m ² /h]	Eff.-Rating	IP	m [kg]
3~380-480	50/60	400	7	10.7	2225	-25 .. +40	198	IE4	IP 54	29

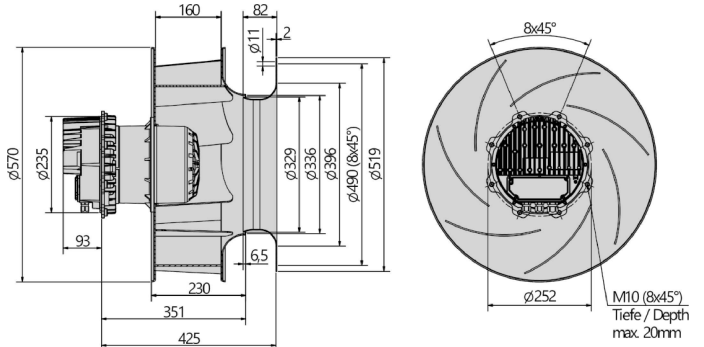
Sound Data:

Frequency	Σ	63Hz	125Hz	250Hz	500Hz	1kHz	2kHz	4kHz	8kHz	Distances	1 m	4 m
L _{wA(A,in)} [dB(A)]	91	56	74	83	86	84	83	81	75	L _{pA(A,in)} [dB(A)]	84	73
L _{wA(A,out)} [dB(A)]	98	65	87	90	91	94	89	83	78	L _{pA(A,out)} [dB(A)]	91	80

Wiring Diagram:



drawing:



Data @ 460V: 7.0 kW; 9.4 A; 2225 1/min