



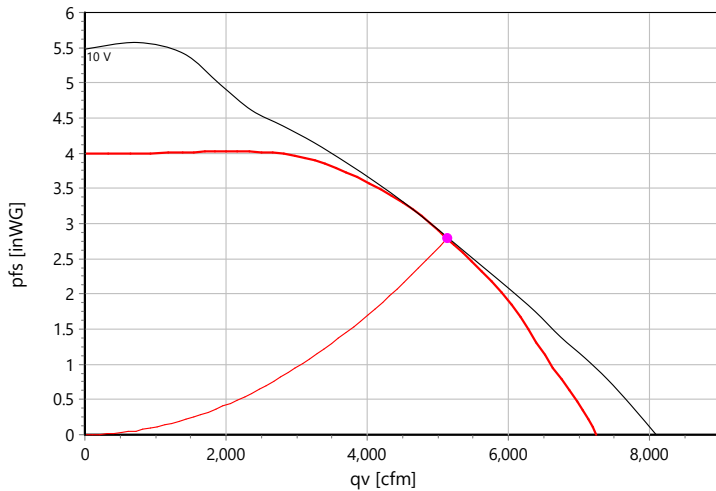
Plug Fan

Type: **GKHM 500-CIB.160.6IF IE Gen3**

Art.-No.: N88-50317



Curve:



p: 1.15 kg/m³; Data @ 230 V

Operating Point:

q _v	5129	cfm
p _{fs}	2.79	inWG
p _{fd}	0.2	inWG
η _{ed,fs}	60	%
η _{ed,tot}	64	%
P _{ed}	2.8	kW
I	7.46	A
n	1634	r/min
L _{wA A,OUT}	90	dB(A)
U _c	8.08	V
v	27.8	ft/s
SFP	1157	Ws/m ³
FEI	1.41	
t _{R,OP}	41	°C

ErP-Data:

(EU) Nr. 327/2011	(Lot11)	
q _v	4787	cfm
p _{fs}	4.92	inWG
η _{ed,fs}	66.8	%
P _{ed}	4.37	kW
n	1920	r/min
N	71	
v	25.9	ft/s

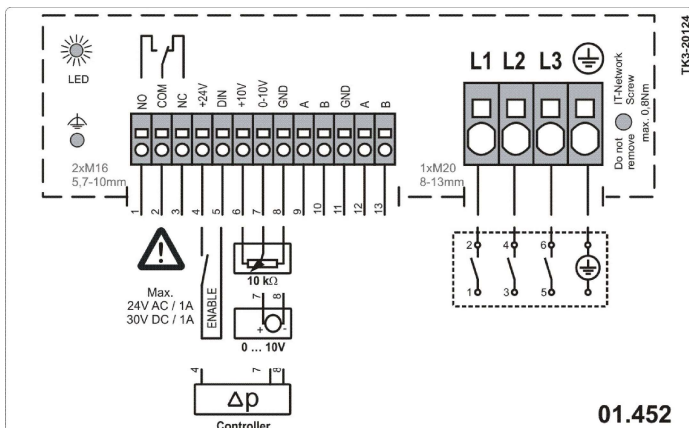
Nominal Data:

U [V]	f [Hz]	Data @ [V]	P _{ed} [kW]	I _N [A]	n _N [r/min]	t _R [°C]	k ₁₀ [m ² /h]	I _A / I _N	IP	m [kg]
3~200-240	50/60	230	2.82	7.45	1640	40	198	-	IP 54	52

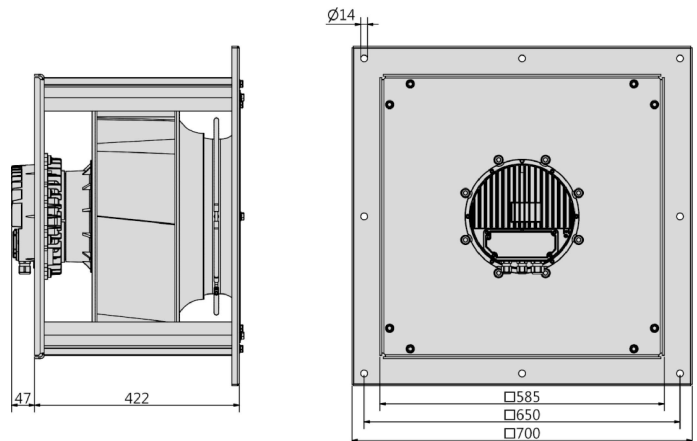
Sound Data:

Frequency	Σ	63Hz	125Hz	250Hz	500Hz	1kHz	2kHz	4kHz	8kHz	Distances	1 m	4 m
L _{wA(A,in)} [dB(A)]	83	48	66	75	78	76	75	73	67	L _{pA(A,in)} [dB(A)]	76	66
L _{wA(A,out)} [dB(A)]	90	57	79	82	83	85	81	75	70	L _{pA(A,out)} [dB(A)]	83	73

Wiring Diagram:



Drawing:



Data @ 208V: 2,33 kW; 6,8 A; 1540 1/min