

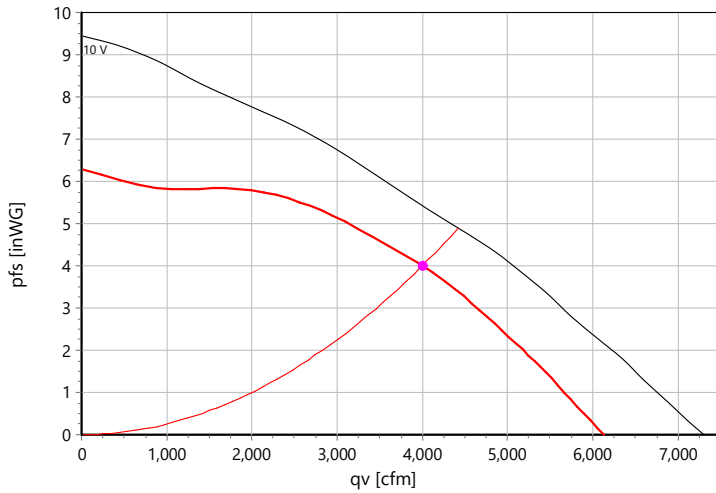


Type: **GKHM 450-CIG.128.6IF IE Gen3+**

Art.-No.: N88-45604



Curve:



p: 1.15 kg/m³; Data @ 230 V

Operating Point:

| | | |
|-----------------------------------|------|-------------------|
| q _v | 4000 | cfm |
| p _{fs} | 4 | inWG |
| p _{fd} | 0.2 | inWG |
| η _{ed,fs} | 62 | % |
| η _{ed,tot} | 65 | % |
| P _{ed} | 3.05 | kW |
| I | 8 | A |
| n | 2363 | r/min |
| L _W A _{A,out} | 90 | dB(A) |
| U _c | 7.7 | V |
| v | 30.2 | ft/s |
| SFP | 1620 | Ws/m ³ |
| FEI | 1.4 | |
| t _{R,OP} | 54 | °C |

ErP-Data:

| | | |
|--------------------|---------|-------|
| (EU) Nr. 327/2011 | (Lot11) | |
| q _v | 4624 | cfm |
| p _{fs} | 6.85 | inWG |
| η _{ed,fs} | 66.7 | % |
| P _{ed} | 5.89 | kW |
| n | 2950 | r/min |
| N | 69 | |
| v | 34.9 | ft/s |

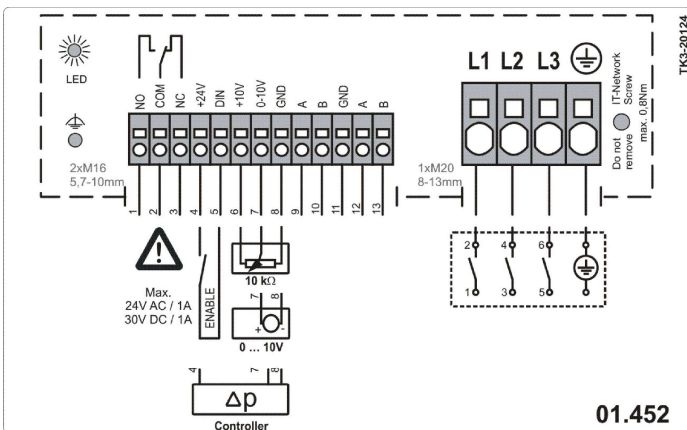
Nominal Data:

| U [V] | f [Hz] | Data @ [V] | P _{ed} [kW] | I _N [A] | n _N [r/min] | t _R [°C] | k ₁₀ [m ² /h] | Eff.-Rating | IP | m [kg] |
|-----------|--------|------------|----------------------|--------------------|------------------------|---------------------|-------------------------------------|-------------|------|--------|
| 3~380-480 | 50/60 | 230 | 4.1 | 10.8 | 2610 | -25 .. +40 | 146 | IE4 | IP54 | 47 |

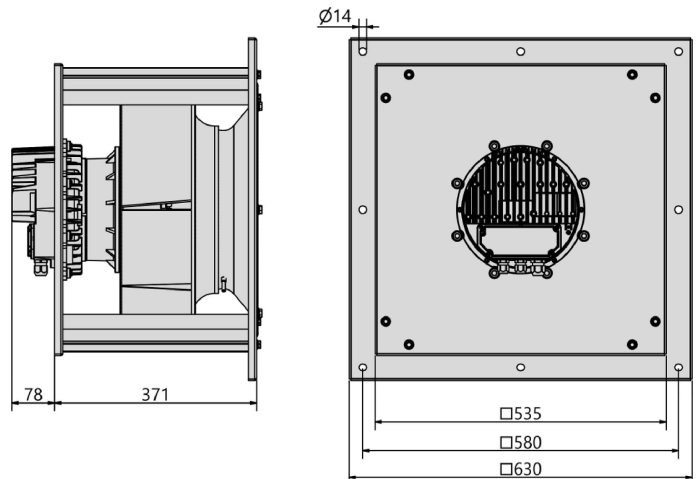
Sound Data:

| Frequency | Σ | 63Hz | 125Hz | 250Hz | 500Hz | 1kHz | 2kHz | 4kHz | 8kHz | Distances | 1 m | 4 m |
|---------------------------------|----|------|-------|-------|-------|------|------|------|------|---------------------------------|-----|-----|
| L _w A(A,in) [dB(A)] | 85 | 51 | 62 | 79 | 79 | 77 | 77 | 76 | 72 | L _p A(A,in) [dB(A)] | 78 | 67 |
| L _w A(A,out) [dB(A)] | 90 | 58 | 66 | 83 | 84 | 84 | 83 | 78 | 75 | L _p A(A,out) [dB(A)] | 83 | 72 |

Wiring Diagram:



drawing:



Data @ 460V: 5,9 kW; 8,0 A; 2950 1/min