



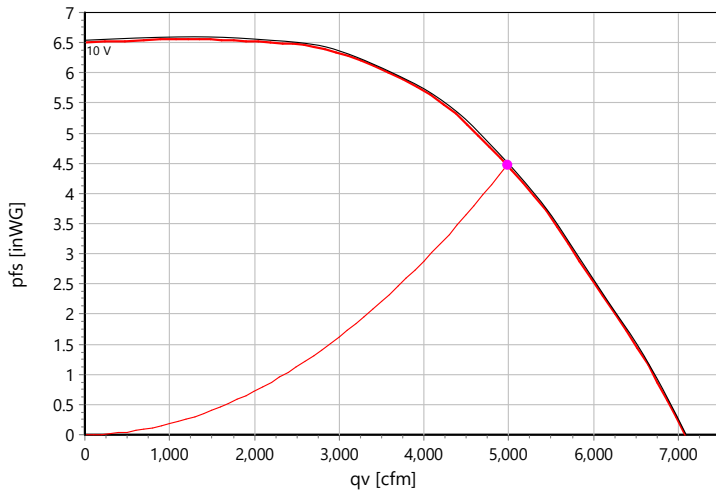
Plug Fan

Type: **GKHM 450-CIB.140.6IF IE Gen3**

Art.-No.: N88-45316



Curve:



Operating Point:

q _v	4981	cfm
p _{fs}	4.47	inWG
p _{fd}	0.3	inWG
η _{ed,fs}	59	%
η _{ed,tot}	62	%
P _{ed}	4.46	kW
I	6.97	A
n	2359	r/min
L _{wA A,out}	95	dB(A)
U _c	9.48	V
v	34.4	ft/s
SFP	1897	Ws/m ³
FEI	1.29	

ErP-Data:

(EU) Nr. 327/2011	(Lot11)	
q _v	4208	cfm
p _{fs}	5.55	inWG
η _{ed,fs}	64.7	%
P _{ed}	4.47	kW
n	2365	r/min
N	68	
v	29.1	ft/s

p: 1.15 kg/m³; Data @ 400 V

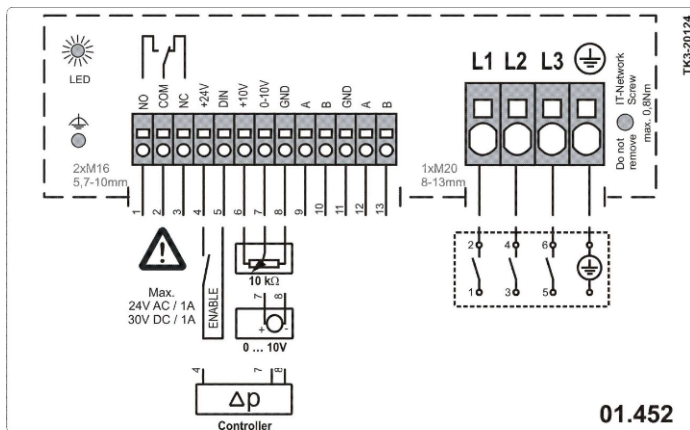
Nominal Data:

U [V]	f [Hz]	Data @ [V]	P _{ed} [kW]	I _N [A]	n _N [r/min]	t _R [°C]	k ₁₀ [m ² /h]	I _A / I _N	IP	m [kg]
3~380-480	50/60	400	4.5	7	2365	40	155	-	IP 54	47

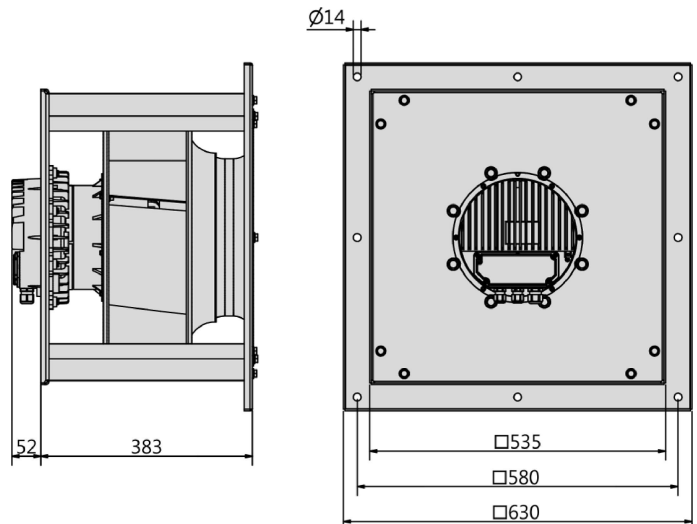
Sound Data:

Frequency	Σ	125Hz	250Hz	500Hz	1kHz	2kHz	4kHz	8kHz	Distances	1 m	4 m
L _{wA(A,in)} [dB(A)]	88	63	80	81	83	81	78	71	L _{pA(A,in)} [dB(A)]	81	71
L _{wA(A,out)} [dB(A)]	95	71	87	89	90	88	83	75	L _{pA(A,out)} [dB(A)]	88	78

Wiring Diagram:



Drawing:



Data @ 460V: 5,9 A; 2365 1/min