



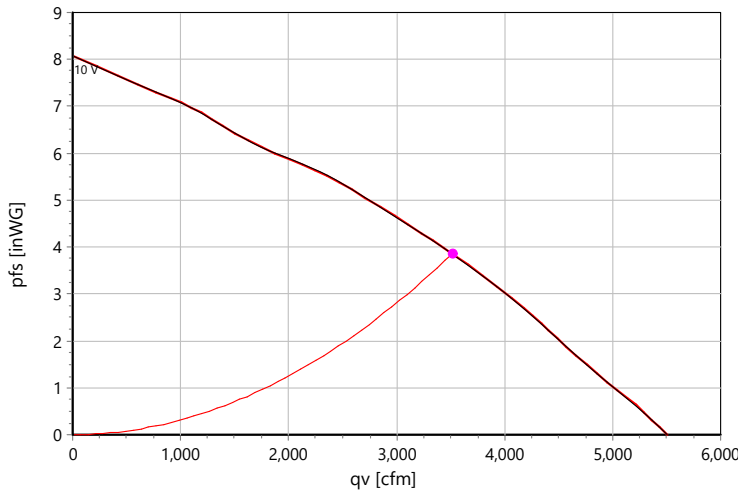
Plug Fan

Type: **GKHM 400-CIB.125.6FF IE Gen3**

Art.-No.: N88-40327



**Curve:**



p: 1.15 kg/m<sup>3</sup>; Data @ 230 V

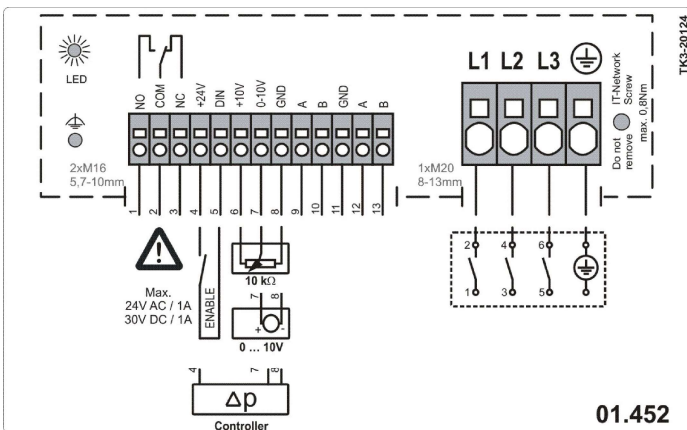
**Nominal Data:**

U [V]	f [Hz]	Data @ [V]	P <sub>ed</sub> [kW]	I <sub>N</sub> [A]	n <sub>N</sub> [r/min]	t <sub>R</sub> [°C]	k <sub>10</sub> [m <sup>2</sup> /h]	I <sub>A</sub> / I <sub>N</sub>	IP	m [kg]
3~200-240	50/60	230	2.7	7.2	2440	40	136	-	IP 54	34.5

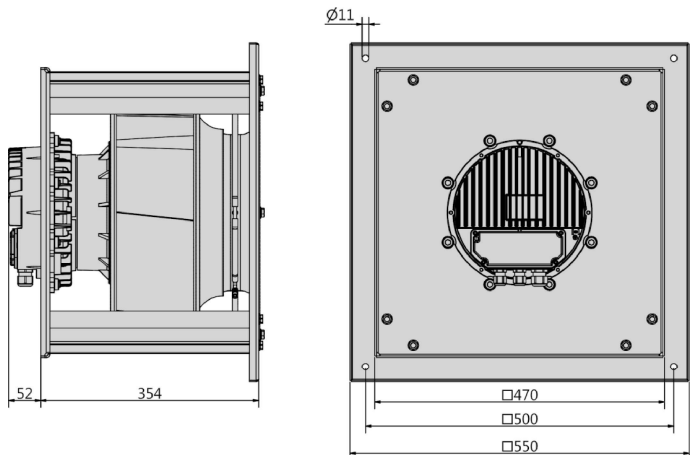
**Sound Data:**

Frequency	Σ	63Hz	125Hz	250Hz	500Hz	1kHz	2kHz	4kHz	8kHz	Distances	1 m	4 m
LwA(A,in) [dB(A)]	86	47	57	77	79	81	80	75	70	LpA(A,in) [dB(A)]	79	69
LwA(A,out) [dB(A)]	93	54	64	84	85	89	87	80	75	LpA(A,out) [dB(A)]	86	76

**Wiring Diagram:**



**Drawing:**



Data @ 208V: 2,2 kW; 6,5 A; 2235 1/min