



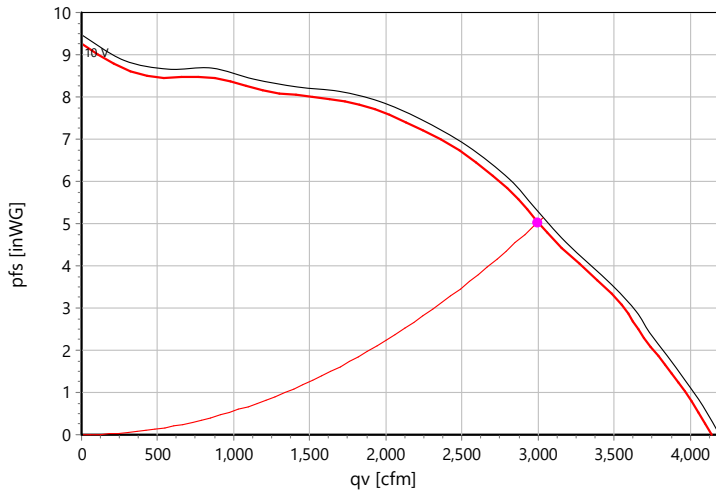
Plug Fan

Type: **GKHM 315-CIB.112.6FF IE Gen3**

Art.-No.: N88-31824



Curve:



p: 1.15 kg/m³; Data @ 400 V

Operating Point:

q _v	2998	cfm
p _{fs}	5.02	inWG
p _{fd}	0.3	inWG
η _{ed,fs}	53	%
η _{ed,tot}	56	%
P _{ed}	3.36	kW
I	5.16	A
n	3852	r/min
L _{wA A,OUT}	96	dB(A)
U _c	9.4	V
v	36.6	ft/s
SFP	2375	Ws/m ³
FEI	1.20	
t _{R,OP}	54	°C

ErP-Data:

(EU) Nr. 327/2011	(Lot11)	
q _v	2463	cfm
p _{fs}	7	inWG
η _{ed,fs}	59.2	%
P _{ed}	3.65	kW
n	3900	r/min
N	64	
v	30.1	ft/s

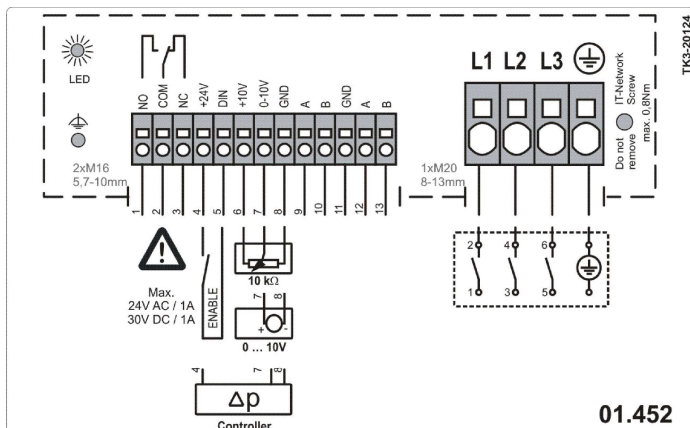
Nominal Data:

U [V]	f [Hz]	Data @ [V]	P _{ed} [kW]	I _N [A]	n _N [r/min]	t _R [°C]	k ₁₀ [m ² /h]	I _A / I _N	IP	m [kg]
3~380-480	50/60	400	3.65	5.6	3900	50	83	-	IP 54	23.5

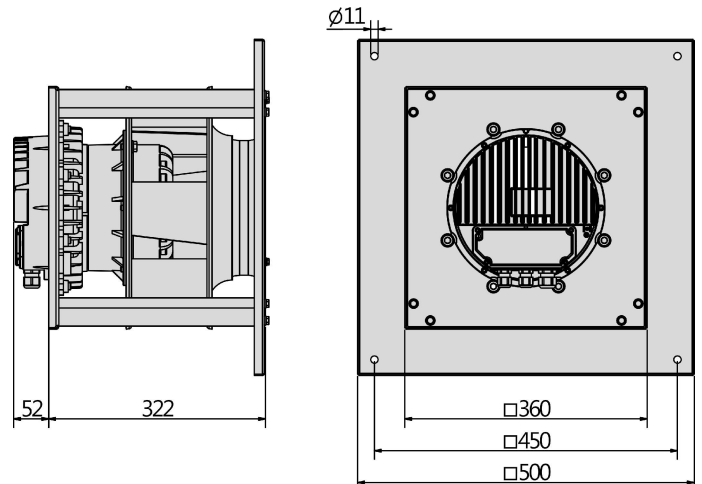
Sound Data:

Frequency	Σ	63Hz	125Hz	250Hz	500Hz	1kHz	2kHz	4kHz	8kHz	Distances	1 m	4 m
L _{wA(A,in)} [dB(A)]	90	52	60	80	83	84	84	80	80	L _{pA(A,in)} [dB(A)]	83	73
L _{wA(A,out)} [dB(A)]	96	59	67	87	89	90	90	87	82	L _{pA(A,out)} [dB(A)]	89	79

Wiring Diagram:



Drawing:



Data @ 460V: 3,65 kW; 4,9 A; 3900 1/min