



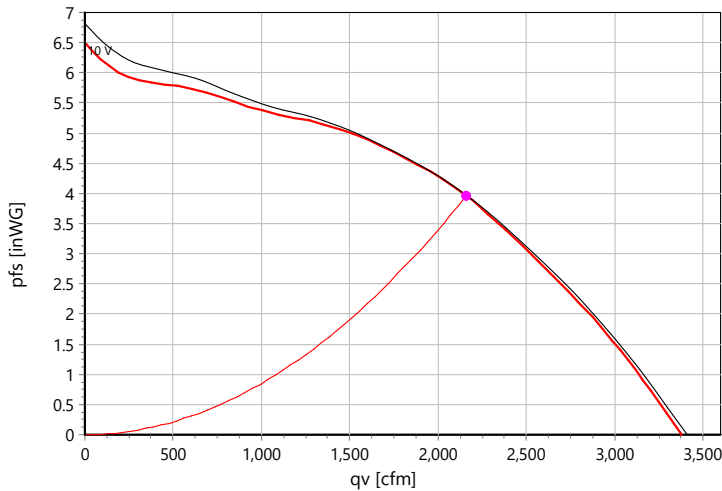
Plug Fan

Type: **GKHR 315-CIB.112.6FF IE Gen3**

Art.-No.: N86-31815



Curve:



p: 1.15 kg/m³; Data @ 230 V

Operating Point:

q _v	2160	cfm
p _{fs}	3.96	inWG
p _{fd}	0.2	inWG
η _{ed,fs}	55	%
η _{ed,tot}	57	%
P _{ed}	1.83	kW
I	4.85	A
n	3082	r/min
L _{WA A,OUT}	90	dB(A)
U _c	8.78	V
v	26.4	ft/s
SFP	1795	Ws/m ³
FEI	1.36	
t _{R,OP}	51	°C

ErP-Data:

(EU) Nr. 327/2011	(Lot11)	
q _v	2463	cfm
p _{fs}	7	inWG
η _{ed,fs}	59.2	%
P _{ed}	3.65	kW
n	3900	r/min
N	64	
v	30.1	ft/s

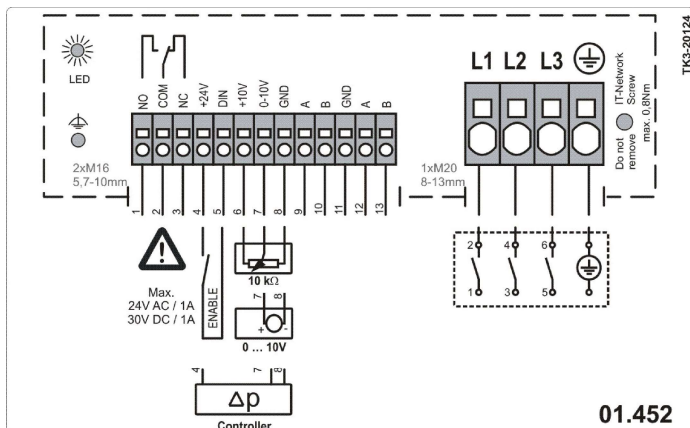
Nominal Data:

U [V]	f [Hz]	Data @ [V]	P _{ed} [kW]	I _N [A]	n _N [r/min]	t _R [°C]	k ₁₀ [m ² /h]	I _A / I _N	IP	m [kg]
3~200-240	50/60	230	1.84	4.88	3080	50	83	-	IP 54	15

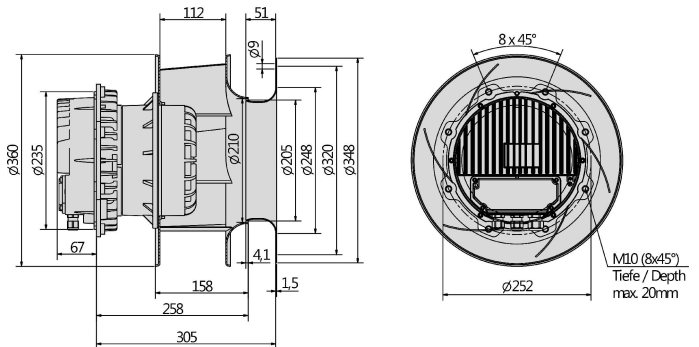
Sound Data:

Frequency	Σ	63Hz	125Hz	250Hz	500Hz	1kHz	2kHz	4kHz	8kHz	Distances	1 m	4 m
LwA(A,in) [dB(A)]	84	46	54	74	77	78	78	74	74	LpA(A,in) [dB(A)]	77	67
LwA(A,out) [dB(A)]	90	53	61	81	83	84	84	81	76	LpA(A,out) [dB(A)]	83	73

Wiring Diagram:



Drawing:



Data @ 208V: 1,47 kW; 4,3 A; 2850 1/min