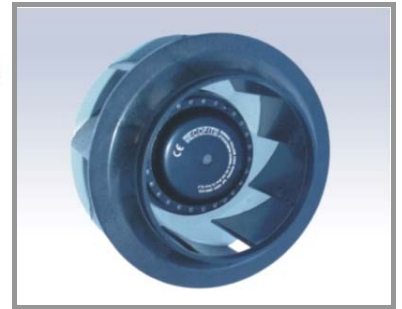


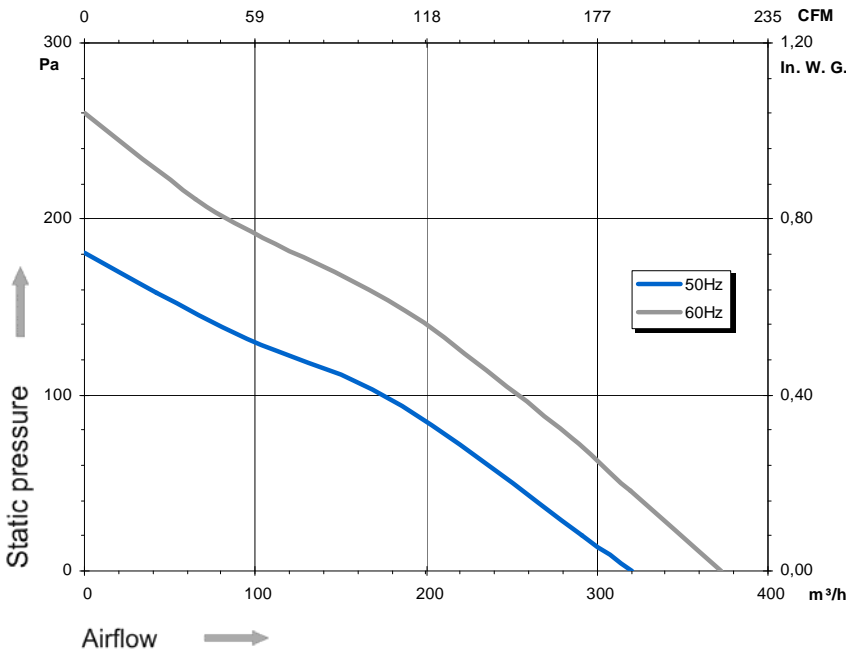
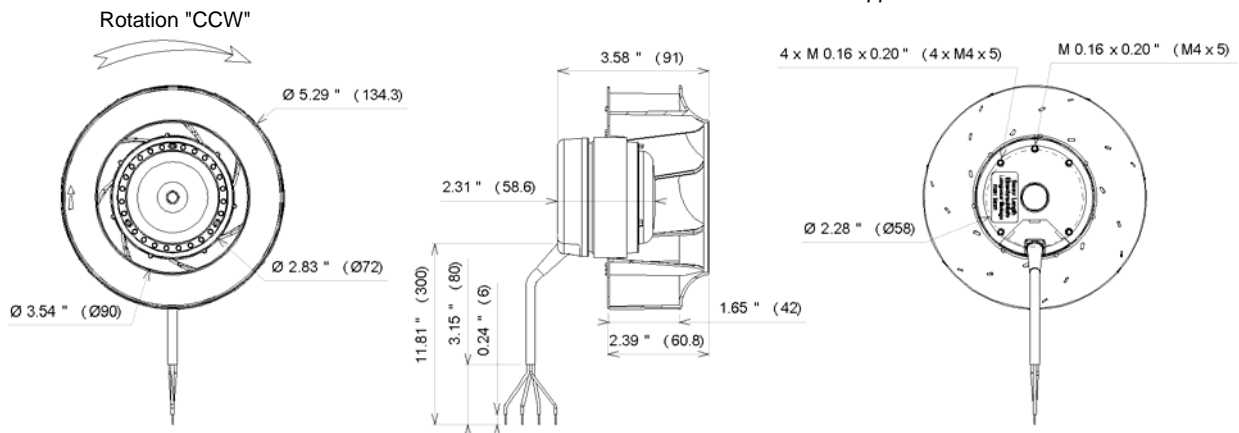
2RREuB3 133x42R P/N E21-A4

Voltage	Frequency	Input power	Current	Capacitor	Airflow	Speed rotation	Noise level	Rotation direction	Operating temperature	ErP 2013	ErP 2015
V	Hz	Wa	A	µF	m³/h	RPM	dBA	↻	Min / Max		
115	50	34	0,32	4,0	320	2 660	54	R	-40°C / +60°C	NA	NA
115	60	33	0,29	4,0	375	3 135	57	R	-40°C / +70°C		
115	50				188 CFM				-40°F / +140°F		
115	50				220 CFM				-40°F / +158°F		



dBa : free let out

NA : Not Applicable



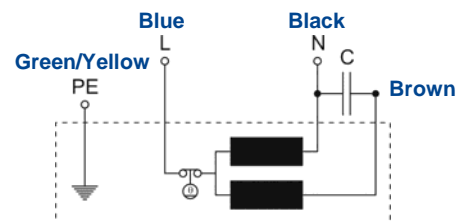
- Weight : 1,0 Kg
- Ball bearing
- Class F, thermally protected
- IP44 protection depending on installation and position as per EN60034-5
- G2.5 balancing
- Rotor : black paint
- PP UL 94 V-0 plastic impeller
- UL approved motor



UL2111 (XEWR2,8)
N° File E135223
2RS73



Capacitor for 50Hz	Capacitor for 60Hz	Finger guard	Inlet cone
19220	19220	21367	16203



Non contractual document. All specifications are subject to change without prior notice. Picture for information only.