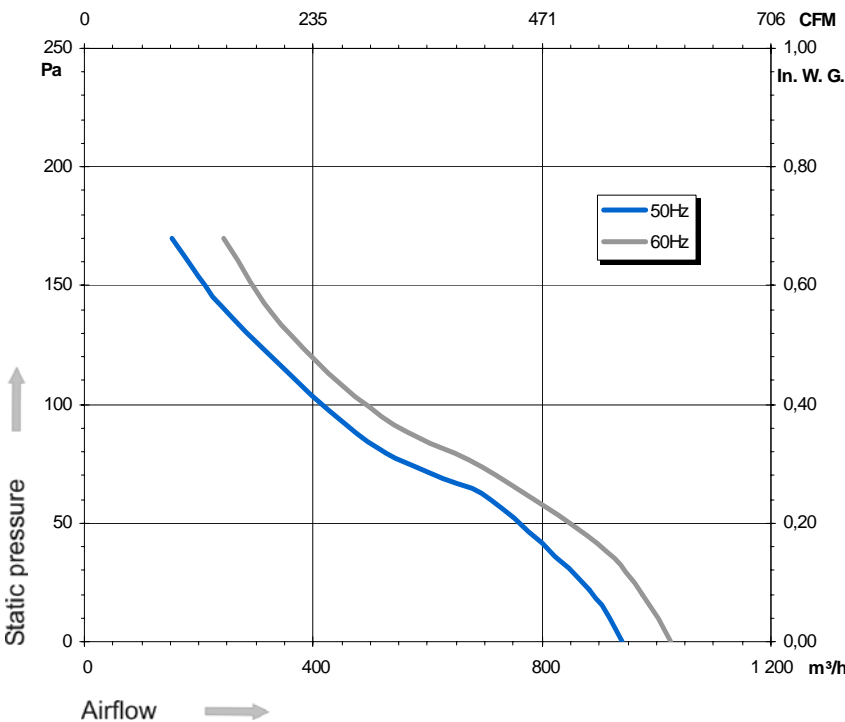
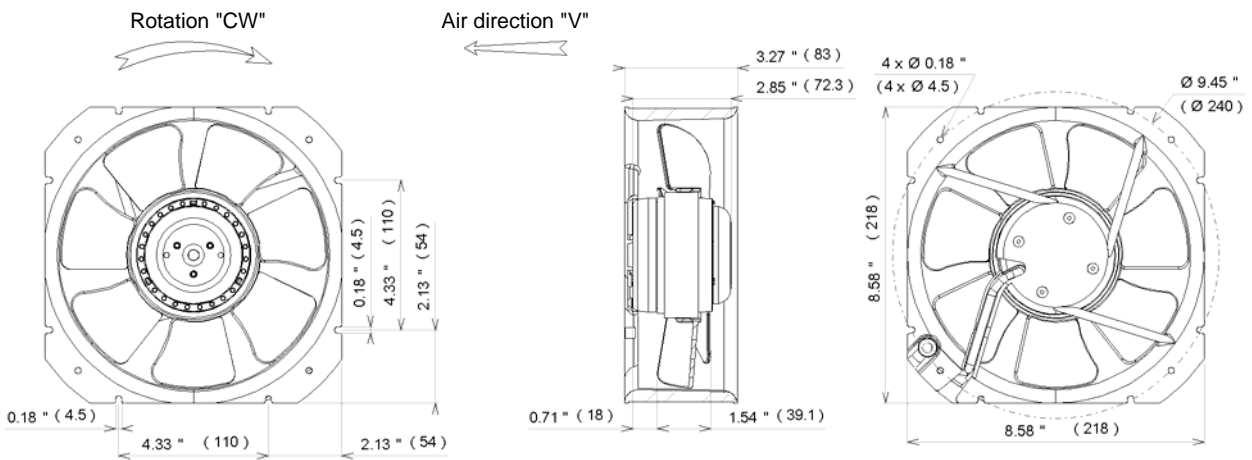


Ind. b - Revision : 11-2009

## 2VGCu25 200V P/N C49-A9

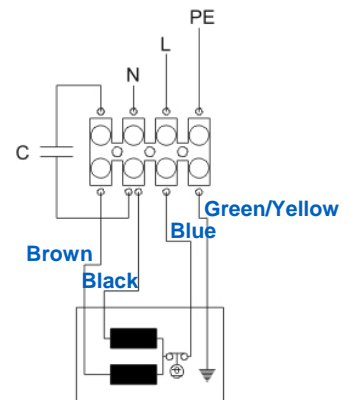
Voltage	Frequency	Input power	Current	Capacitor	Airflow	Speed rotation	Noise level	Rotation direction	Operating temperature
V	Hz	Wa	A	µF	m³/h	RPM	dBA	↻	Min / Max
230	50	65	0,30	2,0	940	2 655	61	R	-25°C / +70°C
230	60	93	0,43	2,0	1 025	2 915	64	R	-25°C / +70°C
230	50				553 CFM				-13°F / +158°F
230	60				603 CFM				-13°F / +158°F



- Weight : 2,4 Kg

- Ball bearing
- Class F, thermally protected
- IP44 protection
- G6.3 balancing
- Plastic impeller PA 6/6
- Rotor : black paint
- Aluminium ring
- Capacitor fixed on the ring and wired to a connexion block
- UL approved motor

UL2111 (XEWR2,8)  
N° File E135223  
2RS925



Capacitor for 50Hz    Capacitor for 60Hz    Finger guard  
-    -    21360

Non contractual document. All specifications are subject to change without prior notice. Picture for information only.