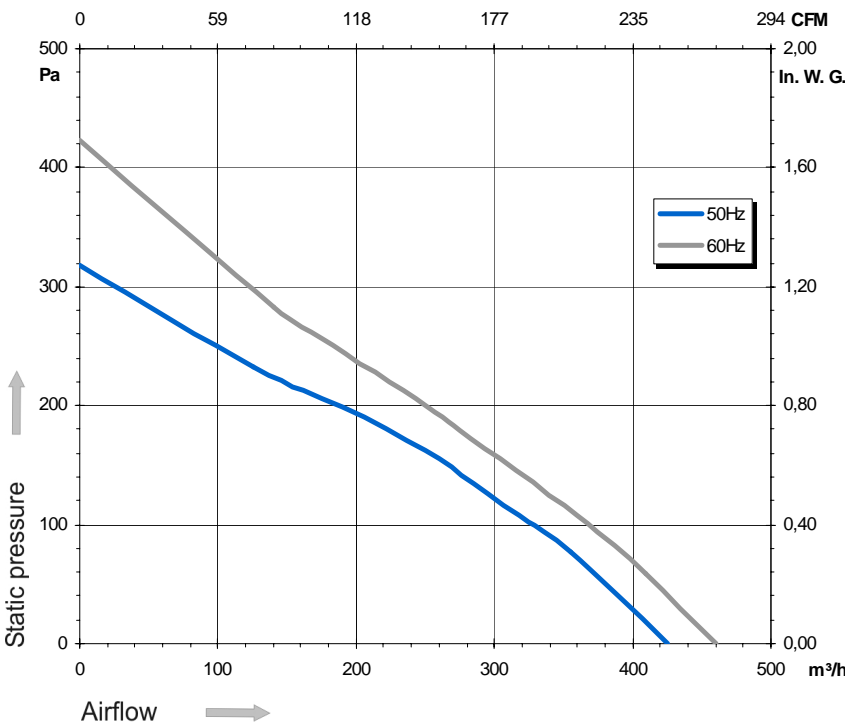
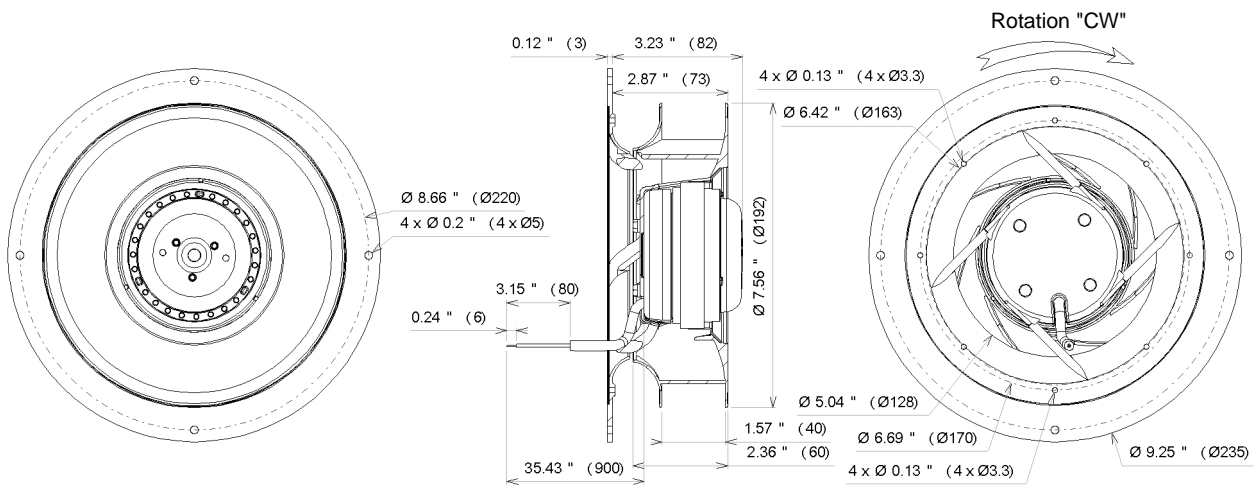
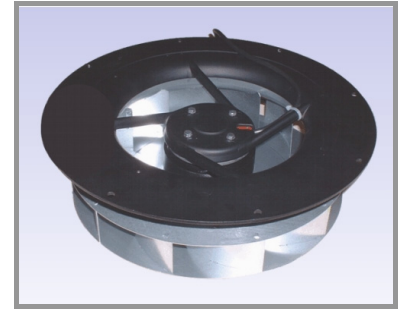


Ind. b - Revision : 07-2008

2RREu15 192x40R P/N C45-A5

Voltage	Frequency	Input power	Current	Capacitor	Airflow	Speed rotation	Noise level	Rotation direction	Operating temperature
V	Hz	Wa	A	µF	m³/h	RPM	dBA	↻	Min / Max
115	50	57	0,51	6,0	425	2 455	66	R	-40°C / +70°C
115	60	71	0,62	6,0	460	2 685	68	R	-40°C / +70°C
115	50				250 CFM				-40°F / +158°F
115	60				270 CFM				-40°F / +158°F

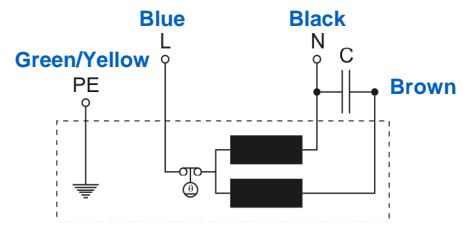


- Weight : 1,6 Kg
- Ball bearing
- Class F winding
- IP44 protection
- G2.5 balancing
- PP UL 94 V-0 plastic impeller
- Rotor : black paint
- Black painted aluminium reversed-inletcone
- UL approved motor

UL2111 (XEW2,8)
N° File E135223
2RS915



Capacitor for 50Hz	Capacitor for 60Hz	Finger guard
19221	19221	21366



Non contractual document. All specifications are subject to change without prior notice. Picture for information only.