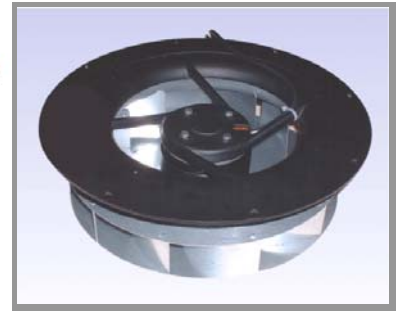
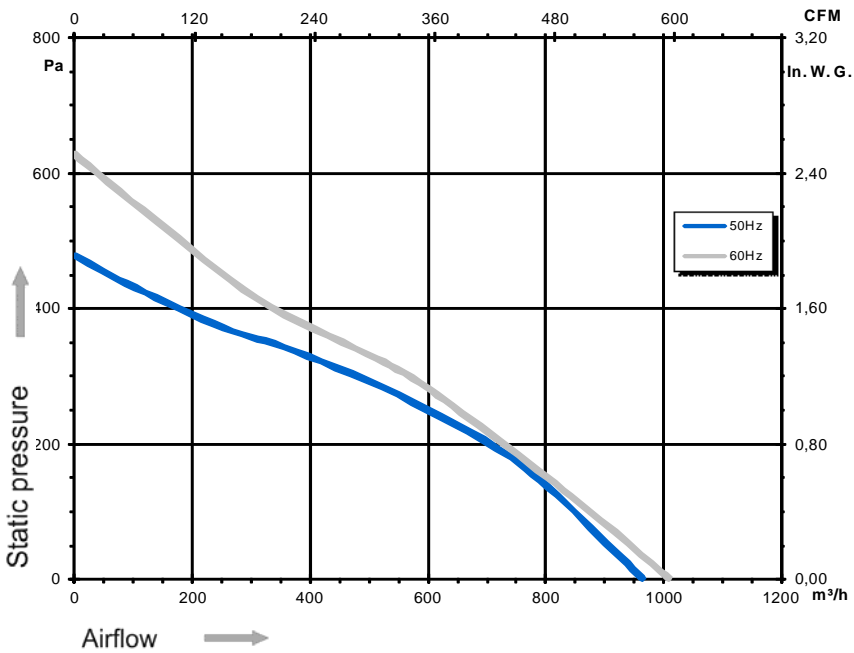
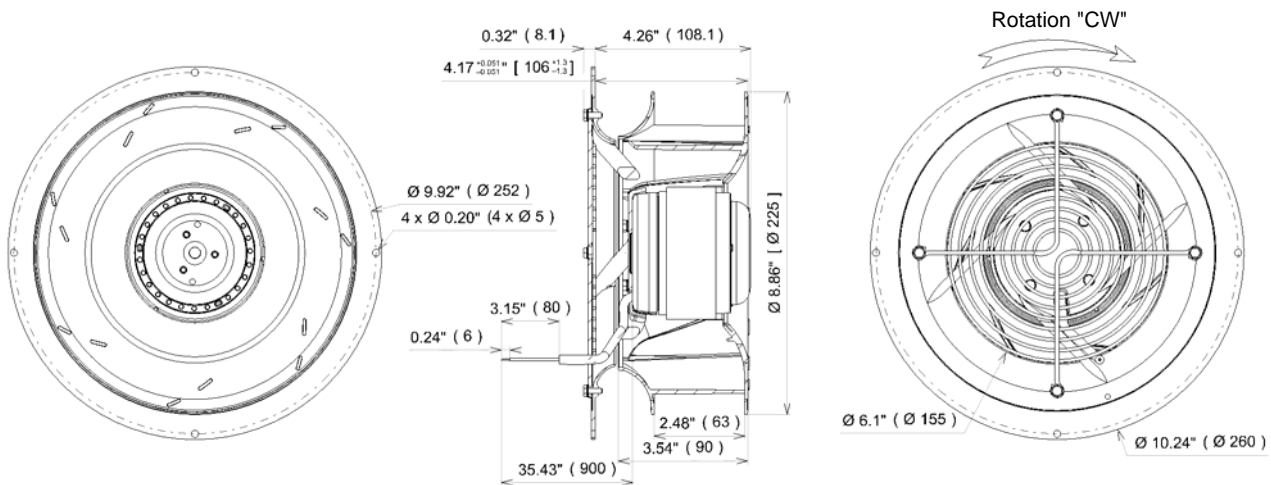


## 2RREu35 225x63R P/N C41-B2

Voltage	Frequency	Input power	Current	Capacitor	Airflow	Speed rotation	Noise level	Rotation direction	Operating temperature	ErP 2013	ErP 2015
V	Hz	Wa	A	µF	m³/h	RPM	dBA	↻	Min / Max		
230	50	148	0,65	3,5	965	2 500	69	R	-40°C / +70°C	NOK	NOK
230	60	203	0,89	3,5	1 005	2 630	70	R	-40°C / +70°C		
230	50				568 CFM				-40°F / +158°F		
230	50				591 CFM				-40°F / +158°F		



dBa : free let out



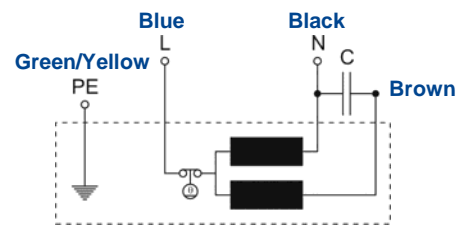
- Weight : 2,5 Kg
- Ball bearing
- Class F, thermally protected
- IP44 protection depending on installation and position as per EN60034-5
- G2.5 balancing
- PA 6/6 UL 94 V-0 plastic impeller
- Rotor : black paint
- Black painted aluminium reversed-inletcone
- Finger guard
- UL approved motor



UL2111 (XEW2,8)  
N° File E135223  
2RS935



Capacitor for 50Hz	Capacitor for 60Hz
19232	19232



Non contractual document. All specifications are subject to change without prior notice. Picture for information only.