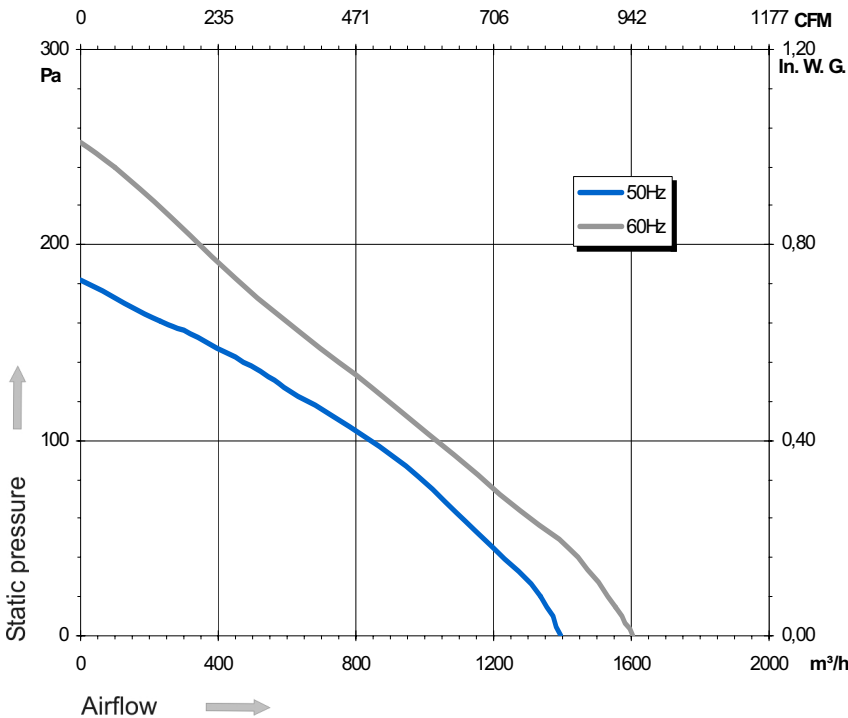
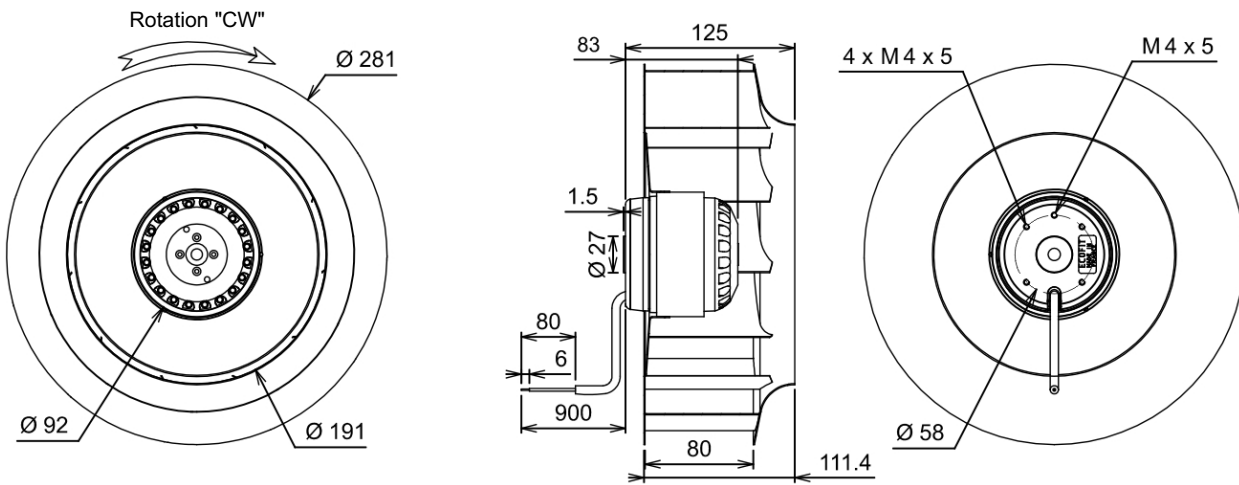


Ind. 0 - Revision : 12-2003

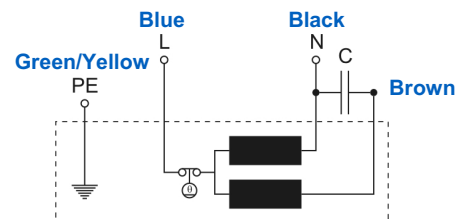
4RREu35 280x80R P/N B11-A8



Voltage	Frequency	Input power	Current	Capacitor	Airflow	Speed rotation	Noise level	Rotation direction	Operating temperature
V	Hz	Wa	A	µF	m³/h	RPM	dBA	↻	Min / Max
115	50	92	0,97	10,0	1 395	1 310	63	R	-40°C / +50°C
115	60	101	0,94	10,0	1 605	1 490	66	R	-40°C / +50°C



- Ball bearing
- Class F, thermally protected
- IP44 protection
- G2.5 balancing
- Rotor : black paint
- Galvanized steel impeller
- UL approved motor



Capacitor for 50Hz	Capacitor for 60Hz	Inlet cone
19223-0	19223-0	16168-0

Non contractual document. All specifications are subject to change without prior notice. Picture for information only.