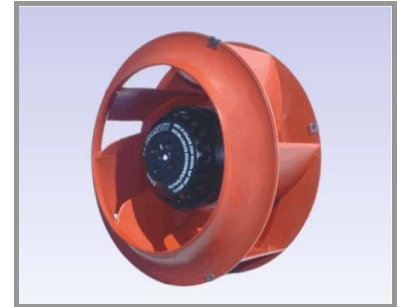
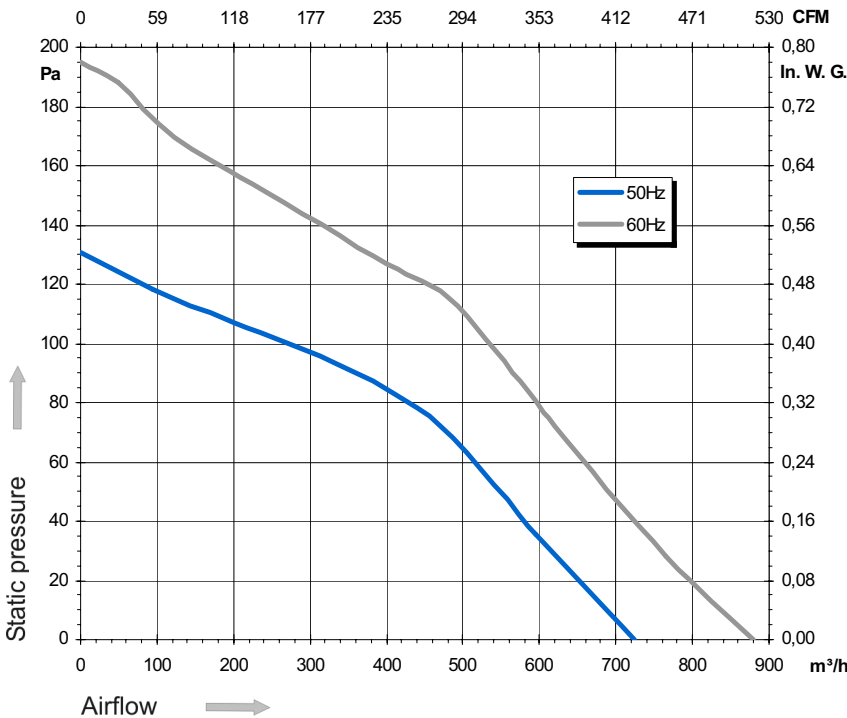
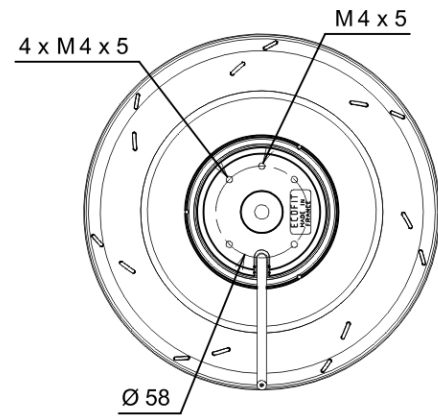
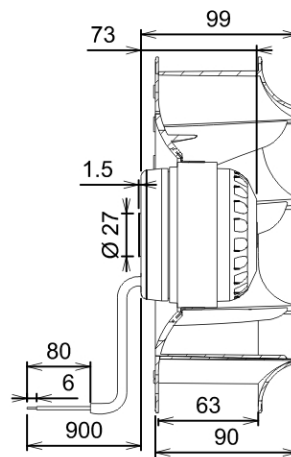
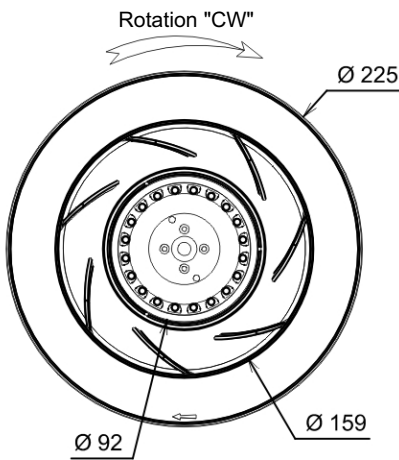


Ind. 0 - Revision : 12-2003

4RREu25 225x63R P/N B11-A7



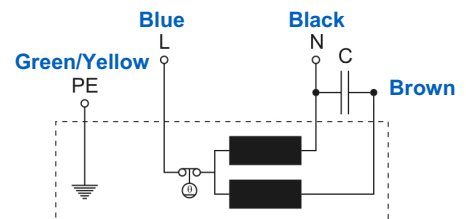
Voltage	Frequency	Input power	Current	Capacitor	Airflow	Speed rotation	Noise level	Rotation direction	Operating temperature
V	Hz	Wa	A	µF	m³/h	RPM	dBA	↻	Min / Max
115	50	60	0,94	5,0	725	1 365	55	R	-40°C / +70°C
115	60	56	0,62	5,0	880	1 645	56	R	-40°C / +70°C



- Ball bearing
- Class F, thermally protected
- IP44 protection
- G2.5 balancing
- Rotor : black paint
- PA 6/6 UL 94 V-0 plastic impeller
- UL approved motor



Capacitor for 50Hz	Capacitor for 60Hz	Inlet cone	Zinc Coated
19216-0	19216-0	16133-a	21194-a



Non contractual document. All specifications are subject to change without prior notice. Picture for information only.