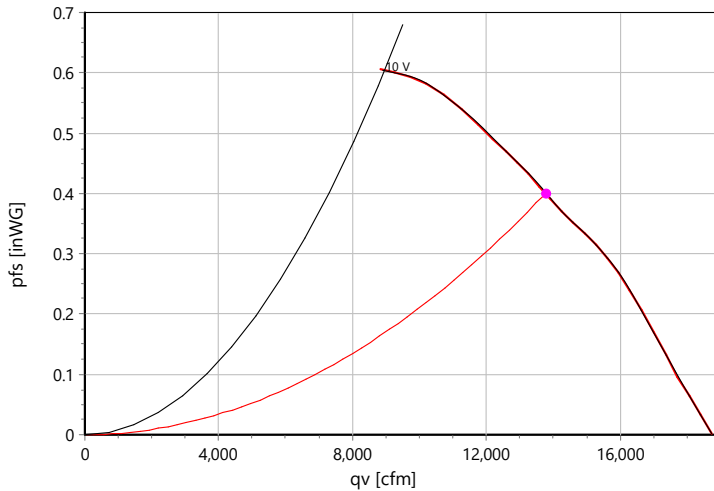




Axial Fan
Type: **AKFG 900 K.6NA A6 Gen3**
Art.-No.: E66-90665



Curve:



p: 1.21 kg/m³; Data @ 400 V

Operating Point:

q _v	13776	cfm
p _{fs}	0.4	inWG
p _{fd}	0.3	inWG
η _{ed,fs}	36	%
η _{ed,tot}	57	%
P _{ed}	1.82	kW
I	4.8	A
n	756	r/min
L _{WA A,IN}	82	dB(A)
U _c	10	V
v	32.5	ft/s
SFP	280	Ws/m ³
FEI	1.5	
t _{R,OP}	60	°C

ErP-Data:

(EU) Nr. 327/2011	(Lot11)	
q _v	12923	cfm
p _{fs}	0.679	inWG
η _{ed,fs}	42.2	%
P _{ed}	2.59	kW
n	850	r/min
N	46	
v	30.5	ft/s

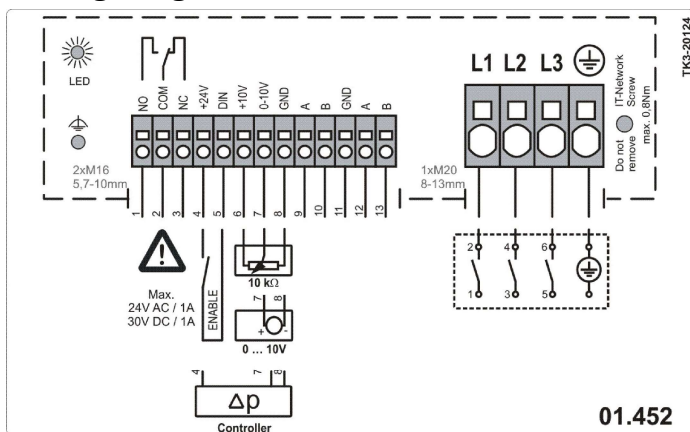
Nominal Data:

U [V]	f [Hz]	Data @ [V]	P _{ed} [kW]	I _N [A]	n _N [r/min]	t _R [°C]	k ₁₀ [m ² /h]	Eff.-Rating	IP	m [kg]
3~200-240	50/60	400	1.78	4.85	730	60	-	IE5	IP 54	59

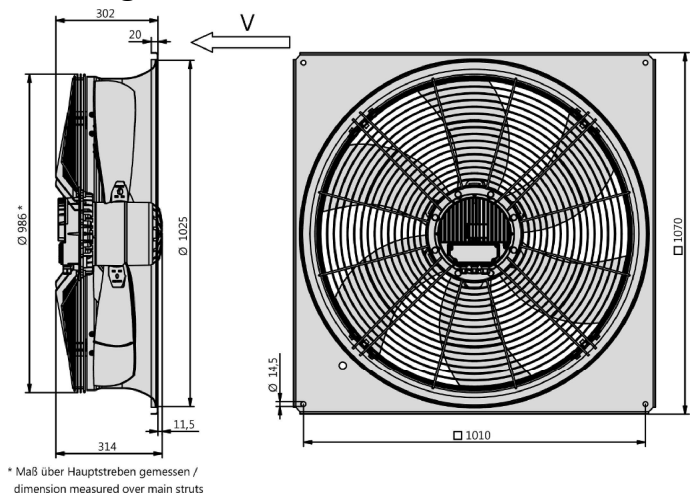
Sound Data:

Frequency	Σ	125Hz	250Hz	500Hz	1kHz	2kHz	4kHz	8kHz	Distances	1 m	4 m
L _{WA(A,in)} [dB(A)]	82	64	68	74	78	77	70	62	L _{pA(A,in)} [dB(A)]	75	64

Wiring Diagram:



Drawing:



Data @ 208V: 1,56 kW; 4,7 A; 690 1/min