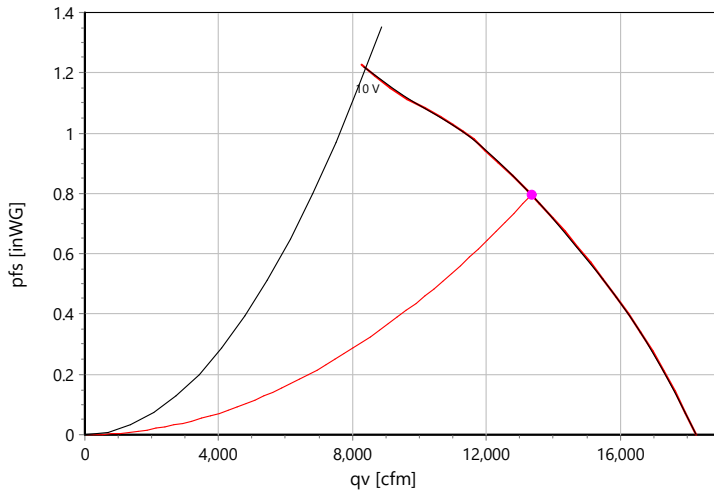




Axial Fan  
Type: **AKFG 900 G.6NA A6 Gen3**  
Art.-No.: E66-90667



**Curve:**



p: 1.21 kg/m<sup>3</sup>; Data @ 400 V

**Operating Point:**

q <sub>v</sub>	13351	cfm
p <sub>fs</sub>	0.796	inWG
p <sub>fd</sub>	0.3	inWG
η <sub>ed,fs</sub>	47	%
η <sub>ed,tot</sub>	60	%
P <sub>ed</sub>	2.68	kW
l	4	A
n	1000	r/min
L <sub>WA A,in</sub>	83	dB(A)
U <sub>c</sub>	10	V
v	31.4	ft/s
SFP	427	Ws/m <sup>3</sup>
FEI	1.4	
t <sub>R,OP</sub>	60	°C

**ErP-Data:**

(EU) Nr. 327/2011	(Lot11)	
q <sub>v</sub>	13210	cfm
p <sub>fs</sub>	0.772	inWG
η <sub>ed,fs</sub>	49.2	%
P <sub>ed</sub>	2.57	kW
n	1000	r/min
N	53	
v	31.1	ft/s

**Set point:**

q <sub>v</sub>	13355	cfm
p <sub>fs</sub>	0.796	inWG

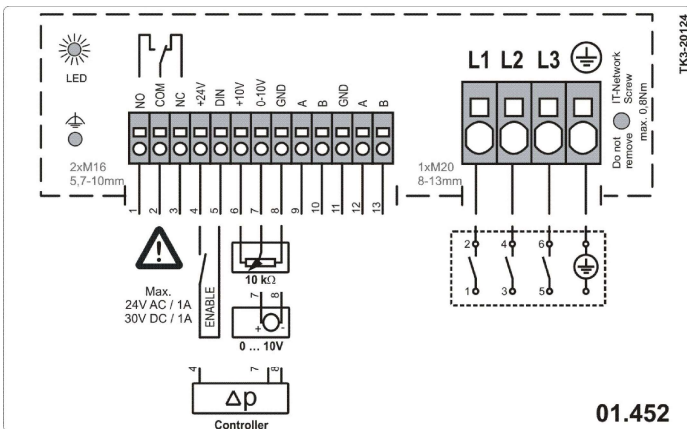
**Nominal Data:**

U [V]	f [Hz]	Data @ [V]	P <sub>ed</sub> [kW]	I <sub>N</sub> [A]	n <sub>N</sub> [r/min]	t <sub>R</sub> [°C]	k <sub>10</sub> [m <sup>2</sup> /h]	Eff.-Rating	IP	m [kg]
3~380-480	50/60	400	3.1	4.8	1000	60	-	IE5	IP 54	57

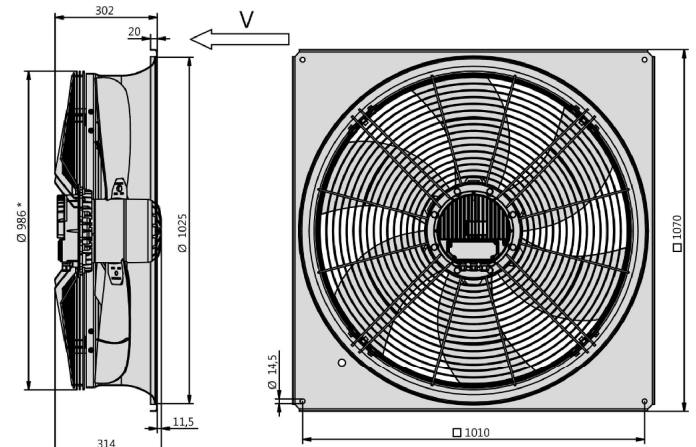
**Sound Data:**

Frequency	Σ	125Hz	250Hz	500Hz	1kHz	2kHz	4kHz	8kHz	Distances	1 m	4 m
L <sub>WA(A,in)</sub> [dB(A)]	83	65	69	75	79	78	71	63	L <sub>pA(A,in)</sub> [dB(A)]	76	65

**Wiring Diagram:**



**Drawing:**



\* Maß über Hauptstreben gemessen / dimension measured over main struts

Data @ 460V: 3,1 kW; 4,25 A; 1000 1/min