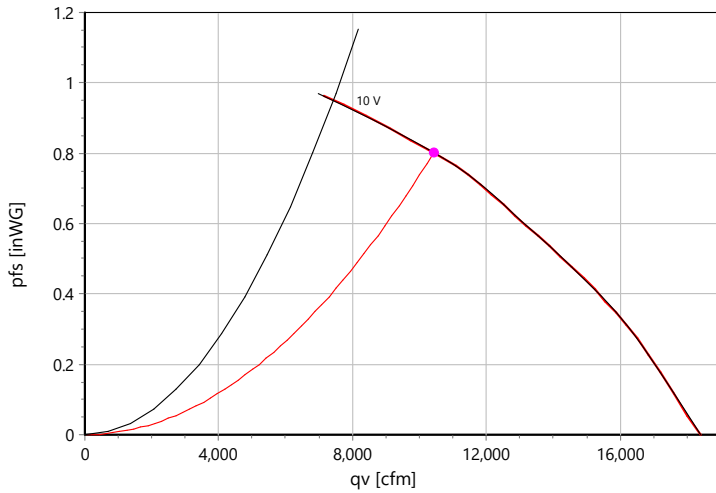




Axial Fan  
Type: **AKFG 900 G.6NA A6 Gen3**  
Art.-No.: E66-90667



**Curve:**



p: 1.21 kg/m<sup>3</sup>; Data @ 230 V

**Operating Point:**

q <sub>v</sub>	10425	cfm
p <sub>fs</sub>	0.802	inWG
p <sub>fd</sub>	0.2	inWG
η <sub>ed,fs</sub>	46	%
η <sub>ed,tot</sub>	54	%
P <sub>ed</sub>	2.16	kW
I	5.8	A
n	905	r/min
L <sub>WA A,in</sub>	82	dB(A)
U <sub>c</sub>	10	V
v	24.5	ft/s
SFP	439	Ws/m <sup>3</sup>
FEI	1.4	
t <sub>R,OP</sub>	60	°C

**ErP-Data:**

(EU) Nr. 327/2011	(Lot11)	
q <sub>v</sub>	13210	cfm
p <sub>fs</sub>	0.772	inWG
η <sub>ed,fs</sub>	49.2	%
P <sub>ed</sub>	2.57	kW
n	1000	r/min
N	53	
v	31.1	ft/s

**Set point:**

q <sub>v</sub>	10427	cfm
p <sub>fs</sub>	0.802	inWG

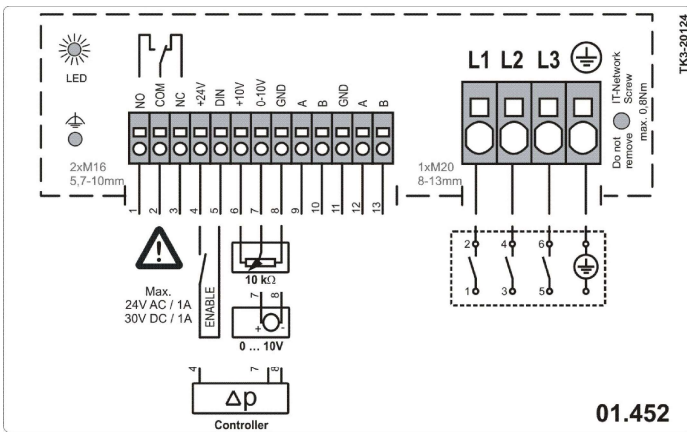
**Nominal Data:**

U [V]	f [Hz]	Data @ [V]	P <sub>ed</sub> [kW]	I <sub>N</sub> [A]	n <sub>N</sub> [r/min]	t <sub>R</sub> [°C]	k <sub>10</sub> [m <sup>2</sup> /h]	Eff.-Rating	IP	m [kg]
3~200-240	50/60	230	2.11	5.66	880	60	-	IE5	IP 54	57

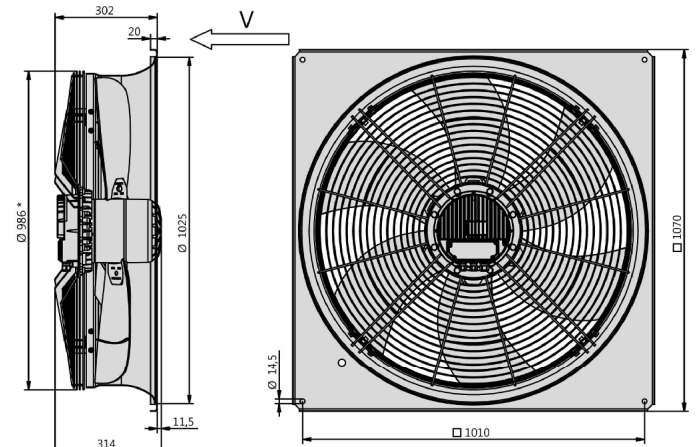
**Sound Data:**

Frequency	Σ	125Hz	250Hz	500Hz	1kHz	2kHz	4kHz	8kHz	Distances	1 m	4 m
L <sub>WA(A,in)</sub> [dB(A)]	82	64	68	74	78	77	70	62	L <sub>pA(A,in)</sub> [dB(A)]	75	64

**Wiring Diagram:**



**Drawing:**



\* Maß über Hauptstreben gemessen / dimension measured over main struts

Data @ 208V: 1,83 kW; 5,4 A; 833 1/min