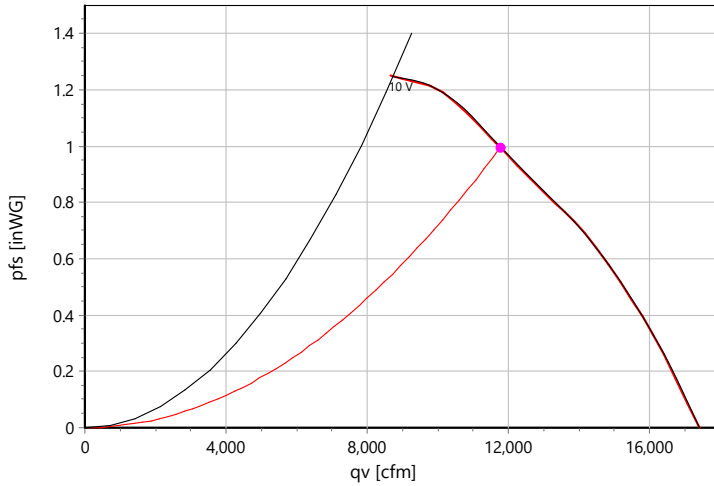




Axial Fan
Type: **AKFG 800 K.6NA A6 Gen3**
Art.-No.: E66-80671



Curve:



Operating Point:

qv	11766	cfm
p _{fs}	0.996	inWG
p _{fd}	0.4	inWG
η _{ed,fs}	43	%
η _{ed,tot}	56	%
P _{ed}	3.22	kW
I	4.8	A
n	1159	r/min
L _{WA A,in}	84	dB(A)
U _c	9.6	V
v	36.5	ft/s
SFP	582	Ws/m ³
FEI	1.2	
t _{R,OP}	60	°C

ErP-Data:

(EU) Nr. 327/2011	(Lot11)	
q _v	10981	cfm
p _{fs}	1.05	inWG
η _{ed,fs}	45.3	%
P _{ed}	3.16	kW
n	1160	r/min
N	48	
v	34.1	ft/s

p: 1.21 kg/m³; Data @ 400 V

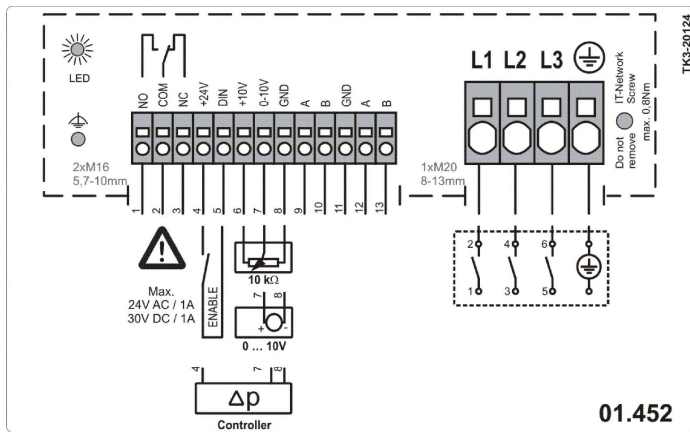
Nominal Data:

U [V]	f [Hz]	Data @ [V]	P _{ed} [kW]	I _N [A]	n _N [r/min]	t _R [°C]	k ₁₀ [m ² /h]	Eff.-Rating	IP	m [kg]
3~380-480	50/60	400	3.35	5.17	1160	60	-	IE5	IP 54	48

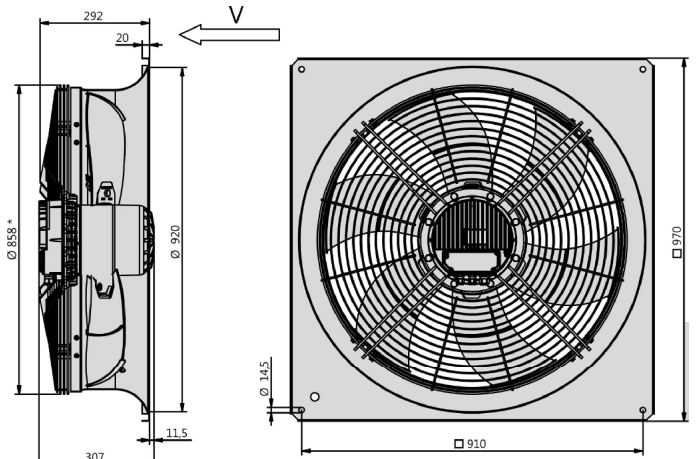
Sound Data:

Frequency	Σ	125Hz	250Hz	500Hz	1kHz	2kHz	4kHz	8kHz	Distances	1 m	4 m
L _{WA(A,in)} [dB(A)]	84	65	71	77	80	78	72	68	L _{pA(A,in)} [dB(A)]	77	66

Wiring Diagram:



Drawing:



Data @ 460V: 3,35 kW; 4,65 A; 1160 1/min