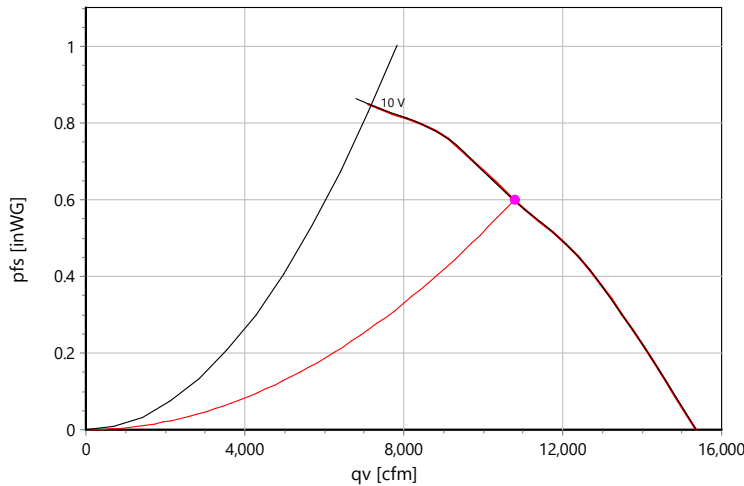




Axial Fan
Type: **AKFG 800 K.6NA A6 Gen3**
Art.-No.: E66-80671



Curve:



p: 1.21 kg/m³; Data @ 230 V

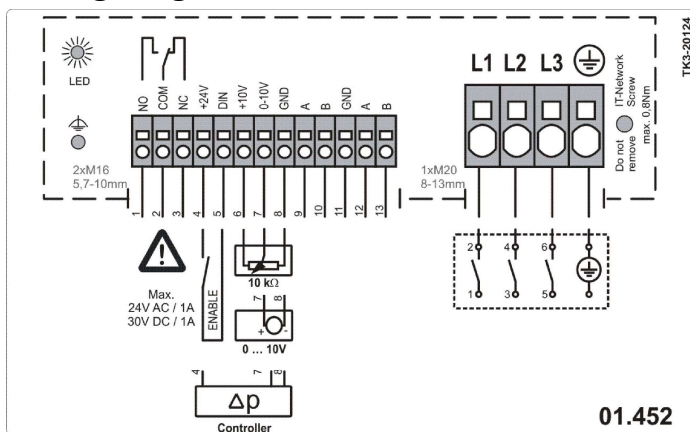
Nominal Data:

U [V]	f [Hz]	Data @ [V]	P _{ed} [kW]	I _N [A]	n _N [r/min]	t _R [°C]	k ₁₀ [m ² /h]	Eff.-Rating	IP	m [kg]
3~200-240	50/60	230	1.86	4.95	950	60	-	IE5	IP 54	48

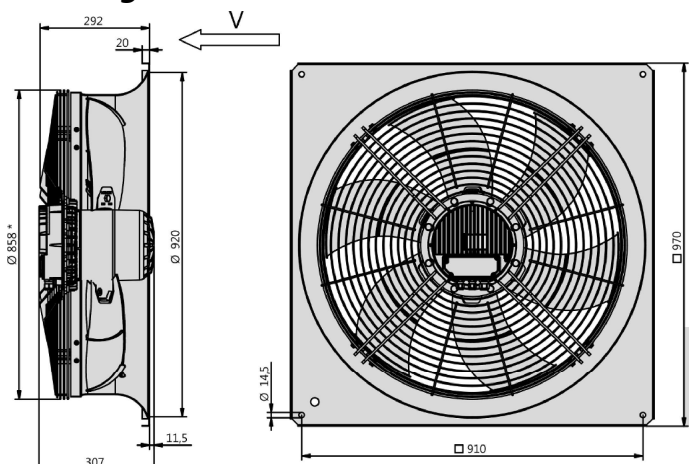
Sound Data:

Frequency	Σ	125Hz	250Hz	500Hz	1kHz	2kHz	4kHz	8kHz	Distances	1 m	4 m
L _{wA(A,in)} [dB(A)]	80	61	67	73	76	74	68	64	L _{pA(A,in)} [dB(A)]	73	62

Wiring Diagram:



Drawing:



* Maß über Hauptstreben gemessen / dimension measured over main struts

Data @ 208V: 1,6 kW; 4,65 A; 890 1/min