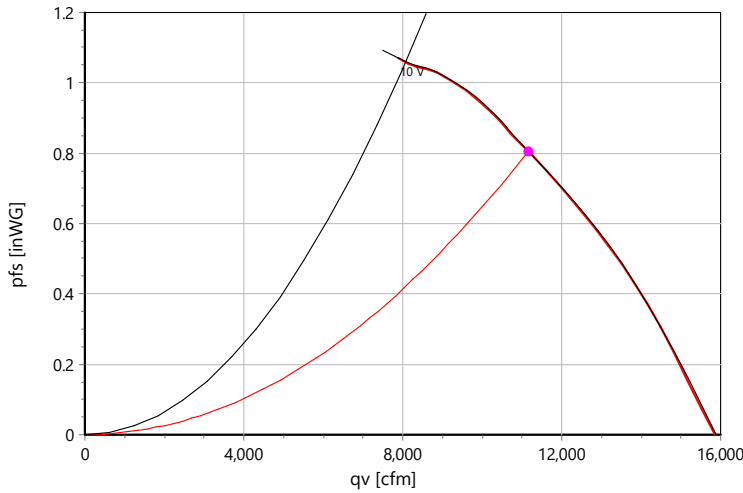




Axial Fan
Type: **AKFG 800 K.6IF A6 Gen3**
Art.-No.: E66-80669



Curve:



p: 1.21 kg/m³; Data @ 400 V

Operating Point:

q _v	11157	cfm
p _{fs}	0.804	inWG
p _{fd}	0.3	inWG
η _{ed,fs}	41	%
η _{ed,tot}	55	%
P _{ed}	2.56	kW
I	3.8	A
n	1084	r/min
L _{WA A,IN}	83	dB(A)
U _c	9.6	V
v	34.6	ft/s
SFP	488	Ws/m ³
FEI	1.2	
t _{R,OP}	60	°C

ErP-Data:

(EU) Nr. 327/2011	(Lot11)	
q _v	10690	cfm
p _{fs}	0.82	inWG
η _{ed,fs}	44.1	%
P _{ed}	2.48	kW
n	1085	r/min
N	48	
v	33.2	ft/s

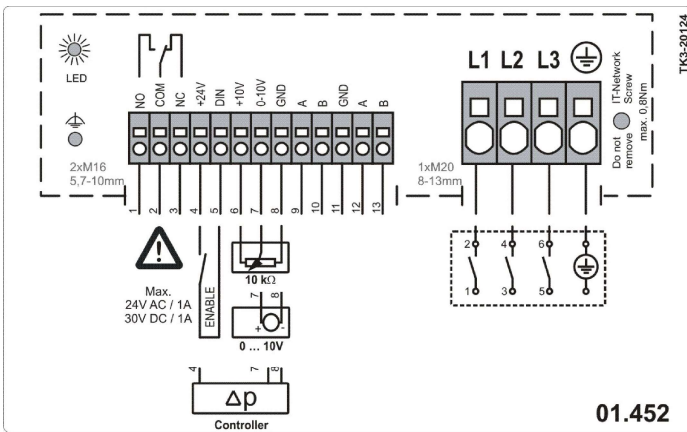
Nominal Data:

U [V]	f [Hz]	Data @ [V]	P _{ed} [kW]	I _N [A]	n _N [r/min]	t _R [°C]	k ₁₀ [m ² /h]	Eff.-Rating	IP	m [kg]
3~380-480	50/60	400	2.71	4.21	1085	60	-	IE5	IP 54	43

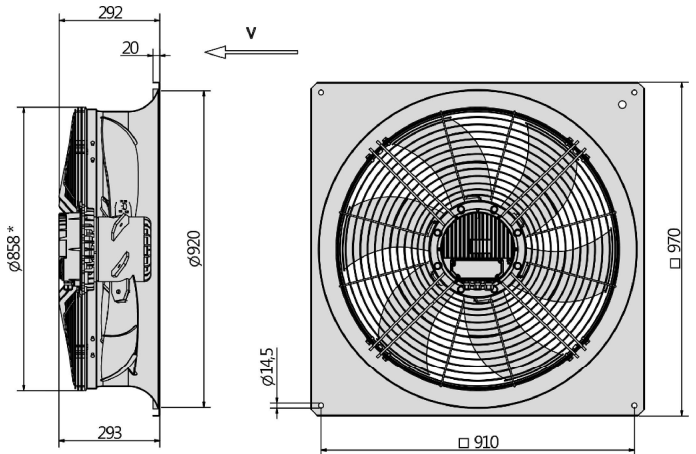
Sound Data:

Frequency	Σ	125Hz	250Hz	500Hz	1kHz	2kHz	4kHz	8kHz	Distances	1 m	4 m
L _{WA(A,in)} [dB(A)]	83	64	70	76	79	77	71	67	L _{pA(A,in)} [dB(A)]	76	65

Wiring Diagram:



Drawing:



Data @ 460V: 2,71 kW; 3,76 A; 1085 1/min