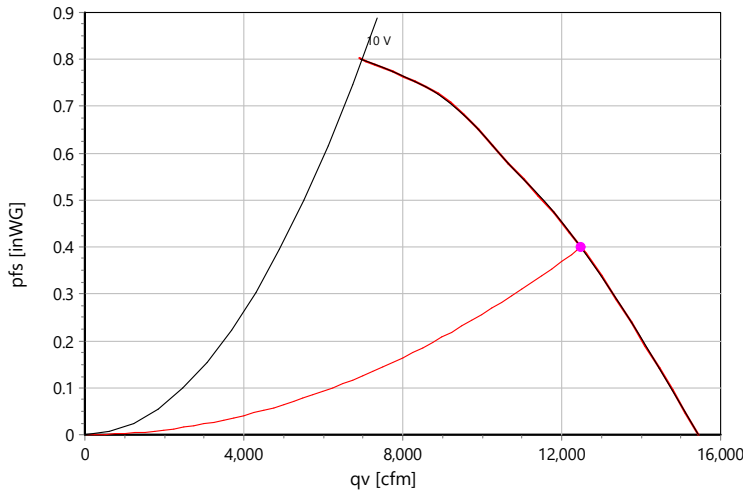




Axial Fan
Type: **AKFG 800 K.6IF A6 Gen3**
Art.-No.: E66-80669



Curve:



p: 1.21 kg/m³; Data @ 230 V

Operating Point:

q _v	12488	cfm
p _{fs}	0.4	inWG
p _{fd}	0.4	inWG
η _{ed,fs}	32	%
η _{ed,tot}	59	%
P _{ed}	1.84	kW
I	4.8	A
n	997	r/min
L _{WA A,IN}	81	dB(A)
U _c	10	V
v	38.8	ft/s
SFP	312	Ws/m ³
FEI	1.3	
t _{R,OP}	60	°C

ErP-Data:

(EU) Nr. 327/2011	(Lot11)	
q _v	10690	cfm
p _{fs}	0.82	inWG
η _{ed,fs}	44.1	%
P _{ed}	2.48	kW
n	1085	r/min
N	48	
v	33.2	ft/s

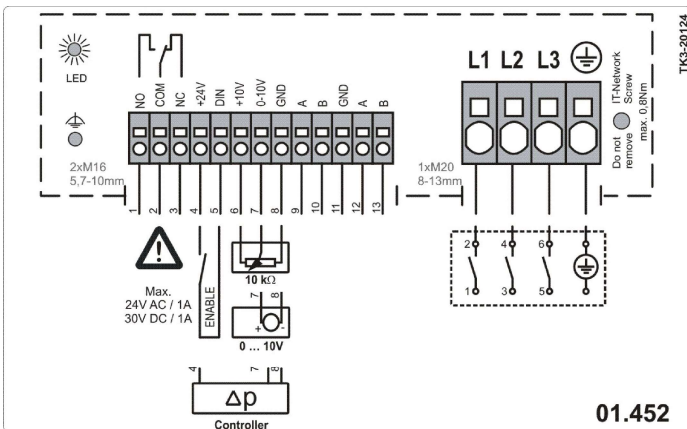
Nominal Data:

U [V]	f [Hz]	Data @ [V]	P _{ed} [kW]	I _N [A]	n _N [r/min]	t _R [°C]	k ₁₀ [m ² /h]	Eff.-Rating	IP	m [kg]
3~200-240	50/60	230	1.78	4.87	950	60	-	IE5	IP 54	43

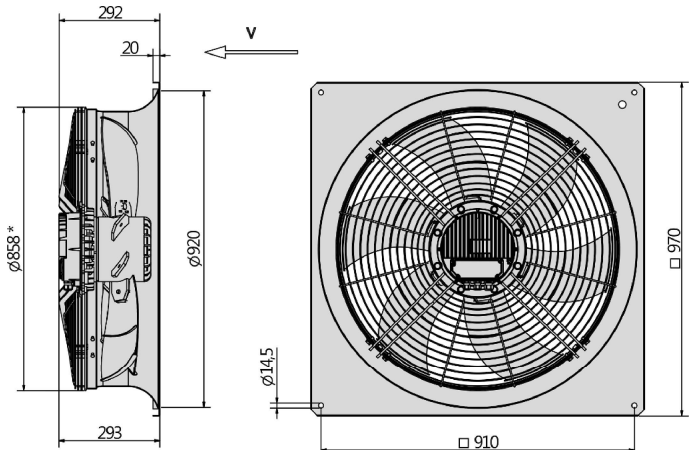
Sound Data:

Frequency	Σ	125Hz	250Hz	500Hz	1kHz	2kHz	4kHz	8kHz	Distances	1 m	4 m
LwA(A,in) [dB(A)]	81	62	68	74	77	75	69	65	LpA(A,in) [dB(A)]	74	63

Wiring Diagram:



Drawing:



Data @ 208V: 1,62 kW; 4,73 A; 915 1/min