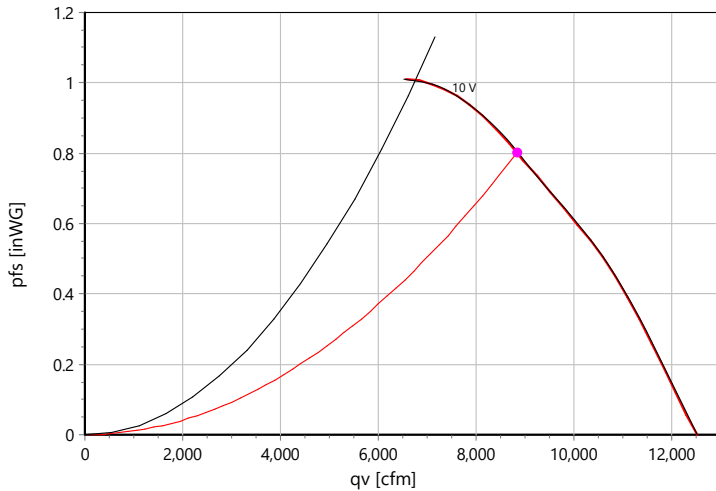




Axial Fan
Type: **AKFG 710 K.6FF A6 Gen3**
Art.-No.: E66-71665



Curve:



p: 1.21 kg/m³; Data @ 230 V

Operating Point:

q _v	8835	cfm
p _{fs}	0.802	inWG
p _{fd}	0.3	inWG
η _{ed,fs}	39	%
η _{ed,tot}	51	%
P _{ed}	2.18	kW
I	5.6	A
n	1162	r/min
L _{WA A,IN}	82	dB(A)
U _c	9.6	V
v	34.5	ft/s
SFP	523	Ws/m ³
FEI	1.2	
t _{R,OP}	60	°C

ErP-Data:

(EU) Nr. 327/2011	(Lot11)	
q _v	8246	cfm
p _{fs}	0.872	inWG
η _{ed,fs}	42.5	%
P _{ed}	2.11	kW
n	1165	r/min
N	47	
v	32.2	ft/s

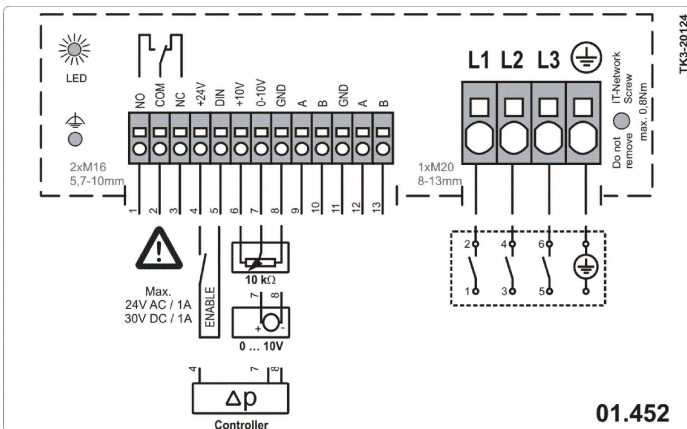
Nominal Data:

U [V]	f [Hz]	Data @ [V]	P _{ed} [kW]	I _N [A]	n _N [r/min]	t _R [°C]	k ₁₀ [m ² /h]	Eff.-Rating	IP	m [kg]
3~200-240	50/60	230	2.1	5.55	1160	60	-	IE5	IP 54	35

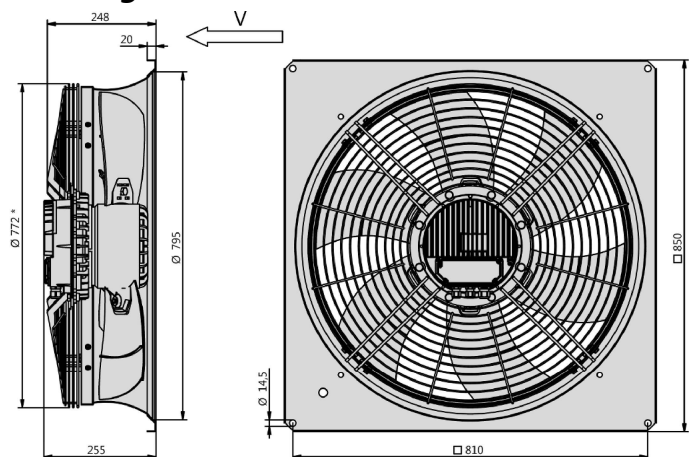
Sound Data:

Frequency	Σ	125Hz	250Hz	500Hz	1kHz	2kHz	4kHz	8kHz	Distances	1 m	4 m
L _{WA(A,in)} [dB(A)]	82	62	69	75	77	77	72	62	L _{pA(A,in)} [dB(A)]	75	64

Wiring Diagram:



Drawing:



* Maß über Hauptstreben gemessen / dimension measured over main struts

Data @ 208V: 1,93 kW; 5,65 A; 1100 1/min