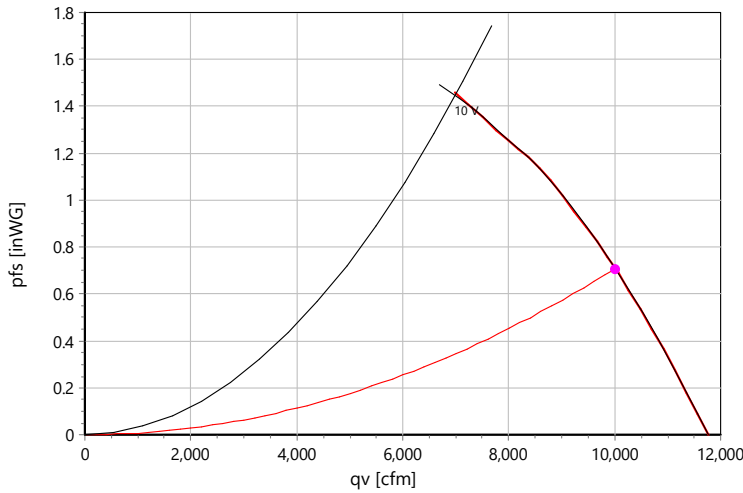




Axial Fan
Type: **AKFG 630 K.6FF A6 Gen3**
Art.-No.: E66-63642



Curve:



p: 1.15 kg/m³; Data @ 400 V

Operating Point:

q _v	10013	cfm
p _{fs}	0.708	inWG
p _{fd}	0.6	inWG
η _{ed,fs}	33	%
η _{ed,tot}	57	%
P _{ed}	2.55	kW
I	3.94	A
n	1640	r/min
L _{WA A,IN}	83	dB(A)
U _c	10	V
v	49.1	ft/s
SFP	540	Ws/m ³
FEI	1.04	
t _{R,OP}	60	°C

ErP-Data:

(EU) Nr. 327/2011	(Lot11)	
q _v	8559	cfm
p _{fs}	1.14	inWG
η _{ed,fs}	43.9	%
P _{ed}	2.77	kW
n	1640	r/min
N	47	
v	41.9	ft/s

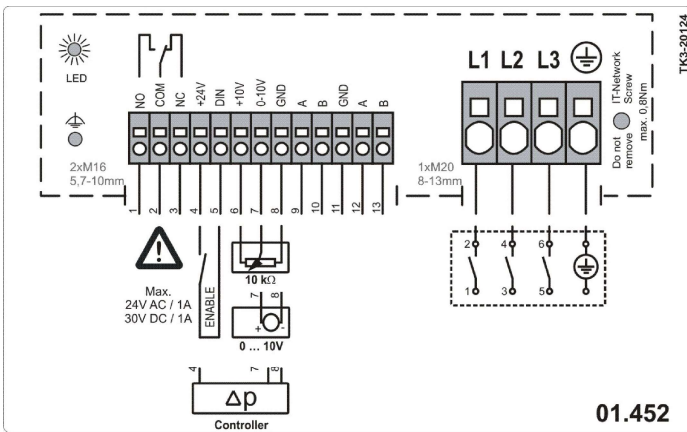
Nominal Data:

U [V]	f [Hz]	Data @ [V]	P _{ed} [kW]	I _N [A]	n _N [r/min]	t _R [°C]	k ₁₀ [m ² /h]	I _A / I _N	IP	m [kg]
3~380-480	50/60	400	2.97	4.6	1640	60	-	-	IP 54	33

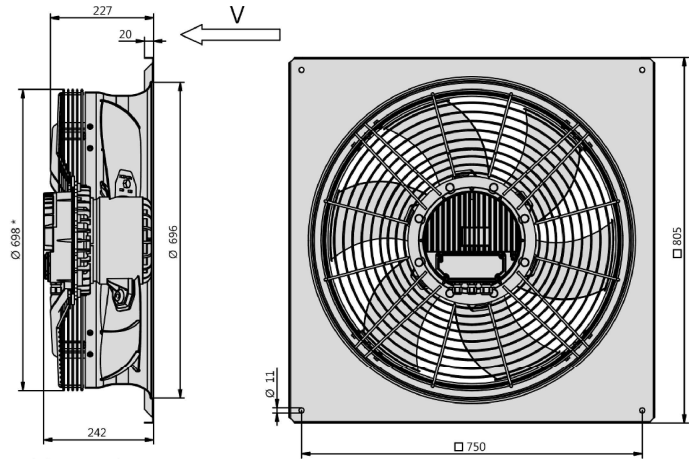
Sound Data:

Frequency	Σ	125Hz	250Hz	500Hz	1kHz	2kHz	4kHz	8kHz	Distances	1 m	4 m
L _{wA(A,in)} [dB(A)]	83	68	71	75	77	78	74	70	L _{pA(A,in)} [dB(A)]	76	66

Wiring Diagram:



Drawing:



* Maß über Hauptstreben gemessen / dimension measured over main struts

Data @ 460V: 2.97 kW; 4.1 A; 1640 1/min