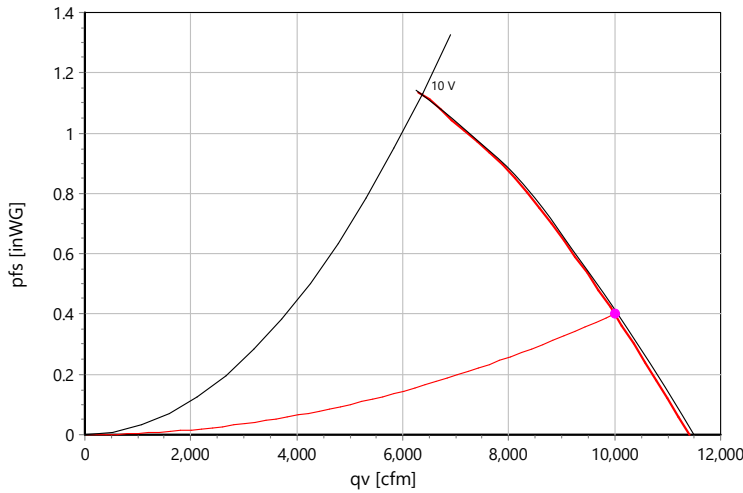




Axial Fan
Type: **AKFG 630 K.6FF A6 Gen3**
Art.-No.: E66-63642



Curve:



p: 1.15 kg/m³; Data @ 230 V

Operating Point:

q _v	10000	cfm
p _{fs}	0.4	inWG
p _{fd}	0.6	inWG
η _{ed,fs}	24	%
η _{ed,tot}	54	%
P _{ed}	1.99	kW
I	5.32	A
n	1537	r/min
L _{WA A,IN}	82	dB(A)
U _c	9.42	V
v	49.0	ft/s
SFP	422	Ws/m ³
FEI	0.98	
t _{R,OP}	60	°C

ErP-Data:

(EU) Nr. 327/2011	(Lot11)	
q _v	8559	cfm
p _{fs}	1.14	inWG
η _{ed,fs}	43.9	%
P _{ed}	2.77	kW
n	1640	r/min
N	47	
v	41.9	ft/s

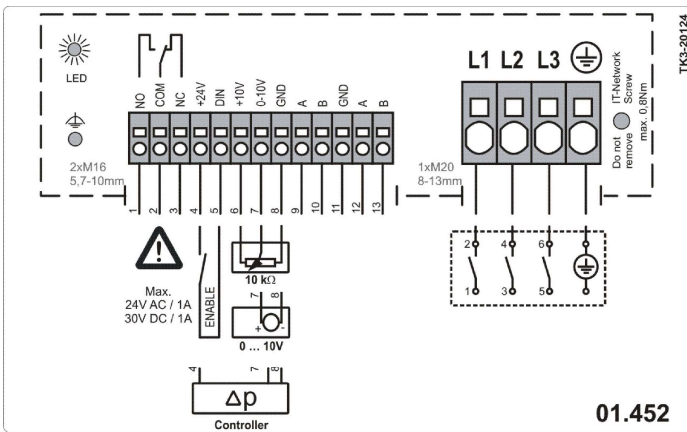
Nominal Data:

U [V]	f [Hz]	Data @ [V]	P _{ed} [kW]	I _N [A]	n _N [r/min]	t _R [°C]	k ₁₀ [m ² /h]	I _A / I _N	IP	m [kg]
3~200-240	50/60	230	2.1	5.6	1470	60	-	-	IP 54	33

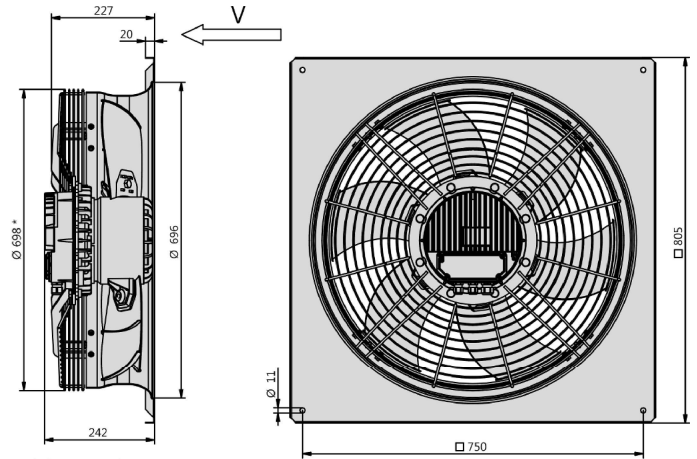
Sound Data:

Frequency	Σ	125Hz	250Hz	500Hz	1kHz	2kHz	4kHz	8kHz	Distances	1 m	4 m
L _{WA(A,in)} [dB(A)]	82	67	70	74	76	77	73	69	L _{pA(A,in)} [dB(A)]	75	65

Wiring Diagram:



Drawing:



* Maß über Hauptstreben gemessen / dimension measured over main struts

Data @ 208V: 1,86 kW; 5,5 A; 1390 1/min