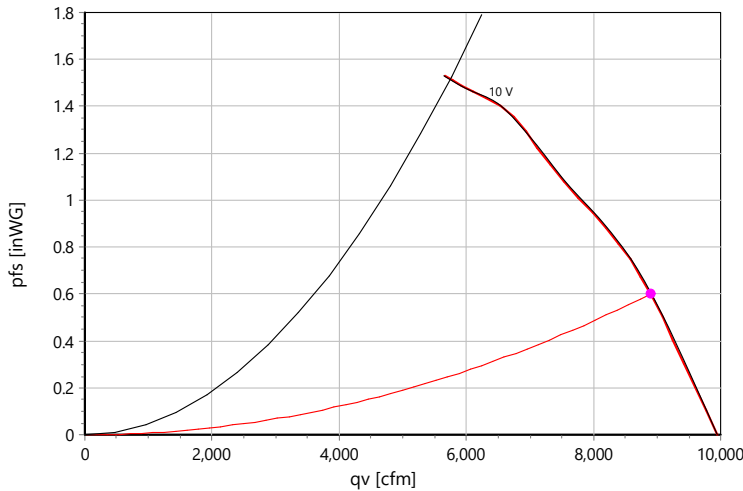




Axial Fan
Type: **AKFG 560 K.6FF A6 Gen3**
Art.-No.: E66-56642



Curve:



p: 1.15 kg/m³; Data @ 400 V

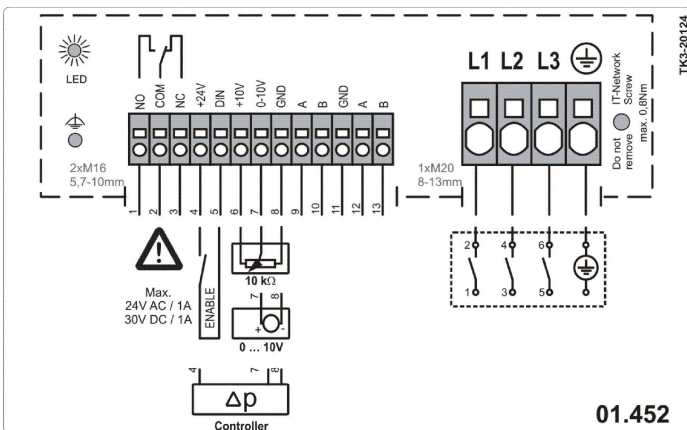
Nominal Data:

U [V]	f [Hz]	Data @ [V]	P _{ed} [kW]	I _N [A]	n _N [r/min]	t _R [°C]	k ₁₀ [m ² /h]	I _A / I _N	IP	m [kg]
3~380-480	50/60	400	2.99	4.6	2050	60	-	-	IP 54	28

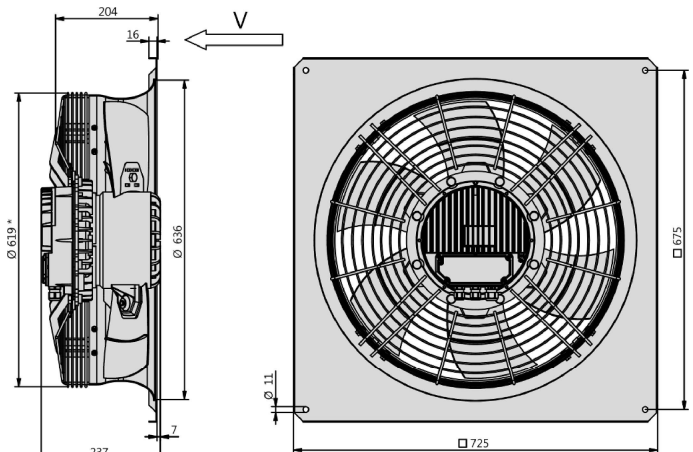
Sound Data:

Frequency	Σ	63Hz	125Hz	250Hz	500Hz	1kHz	2kHz	4kHz	8kHz	Distances	1 m	4 m
LwA(A,in) [dB(A)]	89	51	62	74	81	82	84	83	75	LpA(A,in) [dB(A)]	82	71
LwA(A,out) [dB(A)]	90	61	65	77	82	84	84	84	75	LpA(A,out) [dB(A)]	83	72

Wiring Diagram:



Drawing:



* Maß über Hauptstreben gemessen / dimension measured over main struts

Data @ 460V: 2,99 kW; 4,0 A; 2050 1/min