

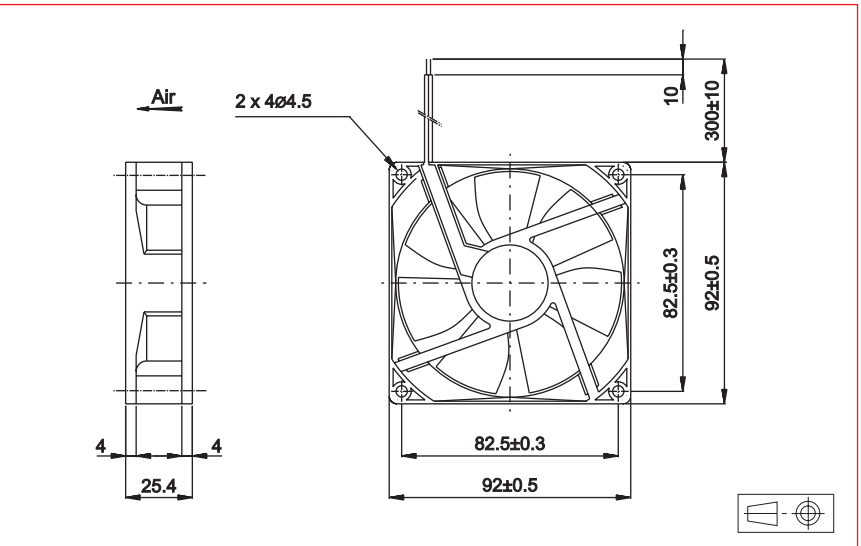


**Approvals**



**Life expectancy**

L-10 LIFE AT 40°C:  
70 000 hours

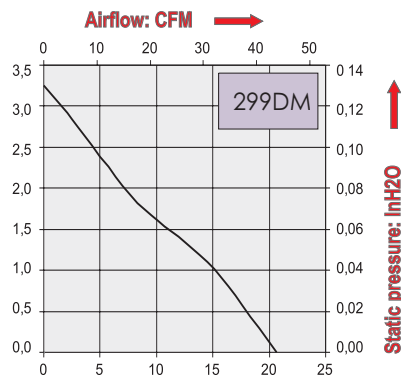
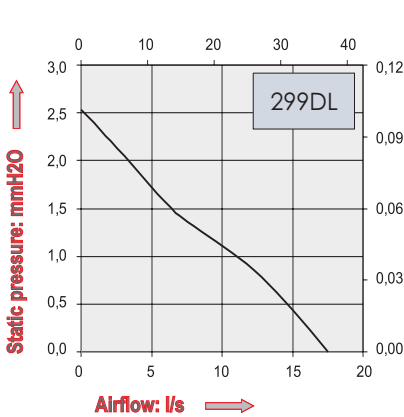


**Brushless DC Motor**

Electrical protection: integrated circuit  
Housing material: plastic UL 94 V0  
Impeller material: plastic UL 94 V0  
Maximum weight: 99 g  
Bearing system: ball bearings  
Connection: flying leads  
IP 20

**Available with:**

- Speed sensor
- Alarm
- IP 54 / IP 55



Part Number	Nominal voltage	Airflow	Noise level	Nominal speed	Input Power	Voltage range	Operating temperature	
	V	l/s	dB(A)	RPM	W	V	Min.°C	Max.°C
299DL1LP11000	12	17,5	25	2100	0,8	(7-13,8)	-10	70
299DL2LP11000	24	17,5	25	2100	1,4	(14-27,6)	-10	70
299DL4LP11000	48	17,5	25	2100	2,4	(38-56)	-10	70
299DM1LP11000	12	20,7	30	2400	1,3	(7-13,8)	-10	70
299DM2LP11000	24	20,7	30	2400	1,9	(14-27,6)	-10	70
299DM4LP11000	48	20,7	30	2400	2,4	(38-56)	-10	70

**Additional versions:**  
Higher speeds (refer to page 20)