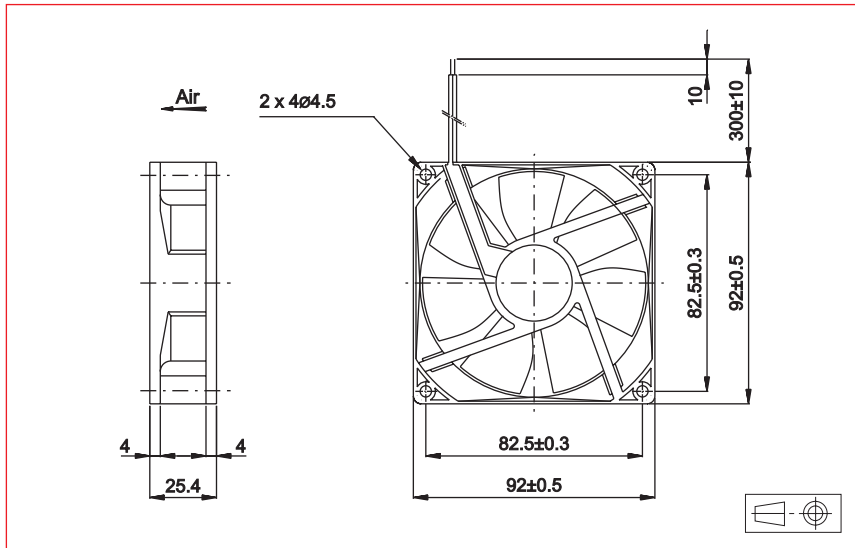


3,622" x 3,622" x 0,984" 92 x 92 x 25 mm

Series
299D
H, S, X
speeds

ETRI[®]
DC Axial Fans



Approvals



Life expectancy

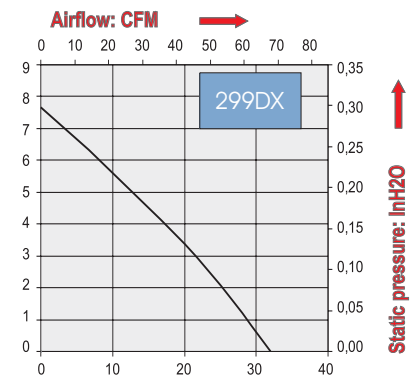
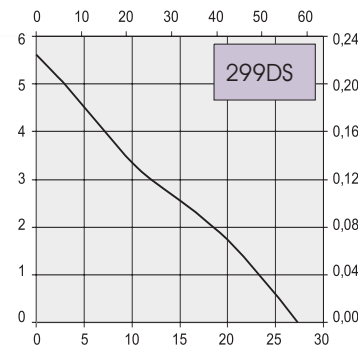
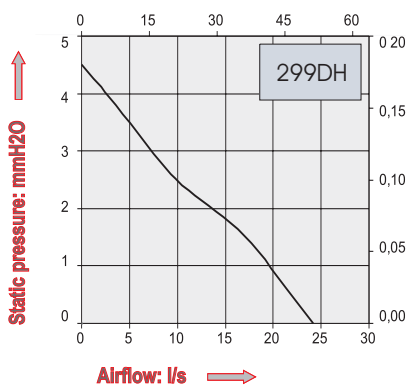
L-10 LIFE AT 40°C:
70 000 hours

Brushless DC Motor

Electrical protection: integrated circuit
Housing material: plastic UL 94 V0
Impeller material: plastic UL 94 V0
Maximum weight: 99 g
Bearing system: ball bearings
Connection: flying leads
IP 20

Available with:

- Speed sensor
- Alarm
- IP 54 / IP 55



Part Number	Nominal voltage	Airflow	Noise level	Nominal speed	Input Power	Voltage range	Operating temperature	
	V	l/s	dB(A)	RPM	W	V	Min.°C	Max.°C
299DH1LP11000	12	24,2	34	2850	1,9	(7-13,8)	-10	70
299DH2LP11000	24	24,2	34	2850	2,4	(14-27,6)	-10	70
299DH4LP11000	48	24,2	34	2850	2,9	(38-56)	-10	70
299DS1LP11000	12	27,3	38	3200	3,0	(7-13,8)	-10	70
299DS2LP11000	24	27,3	38	3200	3,1	(14-27,6)	-10	70
299DS4LP11000	48	27,3	38	3200	3,8	(38-56)	-10	70
299DX1LP11000	12	32,0	45	3800	4,8	(7-13,8)	-10	70
299DX2LP11000	24	32,0	45	3800	5,3	(14-27,6)	-10	70

Additional versions:

Lower speeds (refer to page 19)