

DC Axial Fans

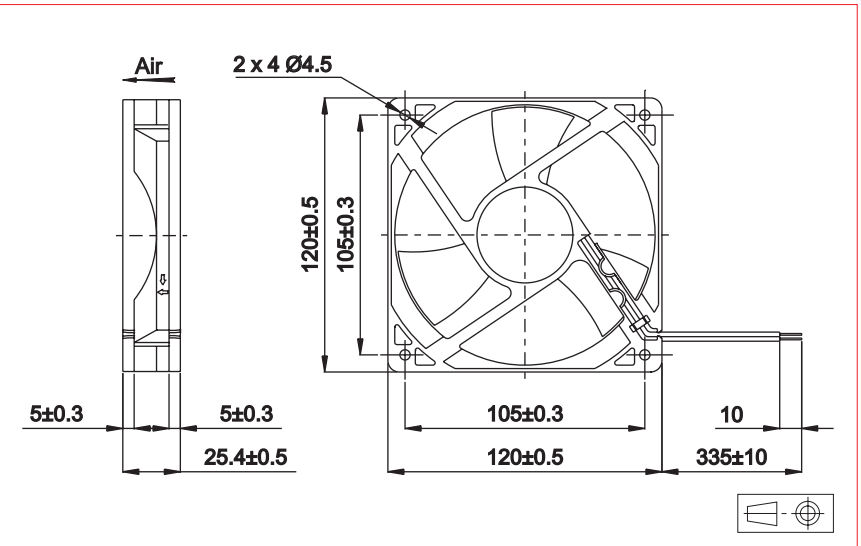


Approvals



Life expectancy

L-10 LIFE AT 40°C:
70 000 hours

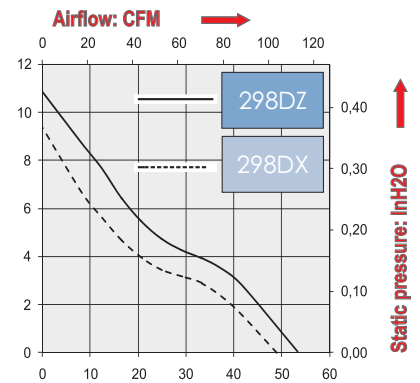
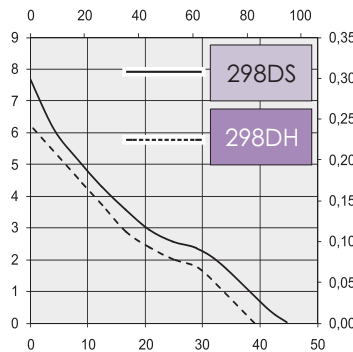
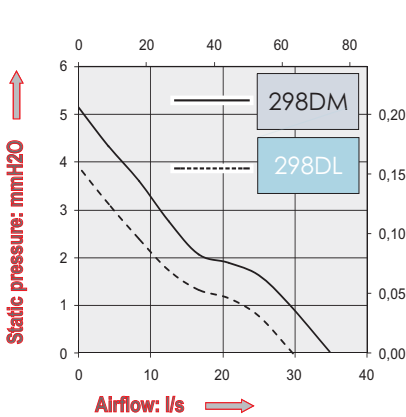


Brushless DC Motor

Electrical protection: integrated circuit
Housing material: plastic UL 94 V0
Impeller material: plastic UL 94 V0
Maximum weight: 198 g
Bearing system: ball bearings
Connection: flying leads
IP 20

Available with:

- Speed sensor
- Alarm
- IP 54 / IP 55



Part Number	Nominal voltage	Airflow	Noise level	Nominal speed	Input Power	Voltage range	Operating temperature	
	V	l/s	dB(A)	RPM	W	V	Min.°C	Max.°C
298DL1LP11000A	12	29,7	32,5	1900	1,68	(7-13,8)	-10	60
298DL2LP11000A	24	29,7	32,5	1900	2,16	(14-27,6)	-10	60
298DM1LP11000A	12	34,9	35,5	2200	2,16	(7-13,8)	-10	60
298DM2LP11000A	24	34,9	35,5	2200	2,88	(14-27,6)	-10	60
298DH1LP11000A	12	39,0	38,5	2500	2,76	(7-13,8)	-10	60
298DH2LP11000A	24	39,0	38,5	2500	3,36	(14-27,6)	-10	60
298DS1LP11000A	12	44,9	41,5	2800	3,96	(7-13,8)	-10	60
298DS2LP11000A	24	44,9	41,5	2800	4,32	(14-27,6)	-10	60
298DX1LP11000A	12	49,0	44,5	3100	4,80	(7-13,8)	-10	60
298DX2LP11000A	24	49,0	44,5	3100	5,52	(14-27,6)	-10	60
298DZ1LP11000A	12	53,4	46,5	3400	6,36	(7-13,8)	-10	60
298DZ2LP11000A	24	53,4	46,5	3400	6,72	(14-27,6)	-10	60