

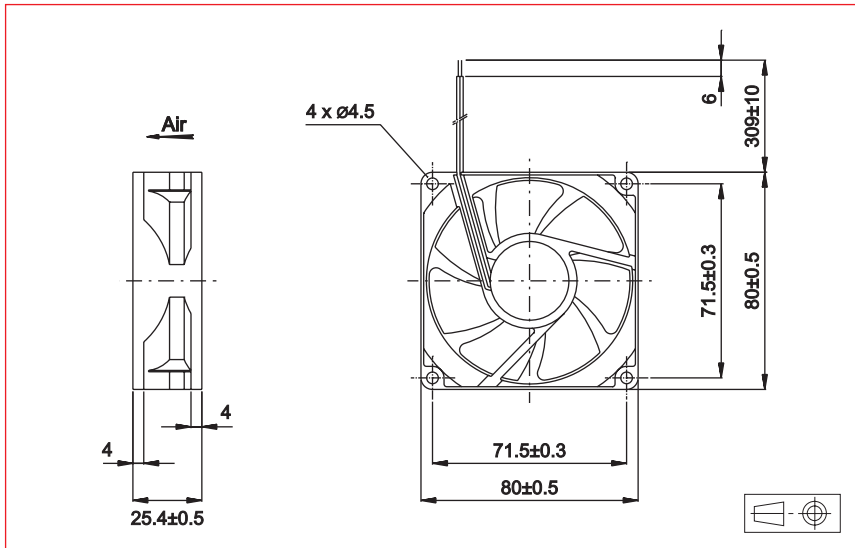
3,15" x 3,15" x 0,984" 80 x 80 x 25 mm

Series 246D

L, M, H speeds

ETRI®

DC Axial Fans



Approvals



Life expectancy

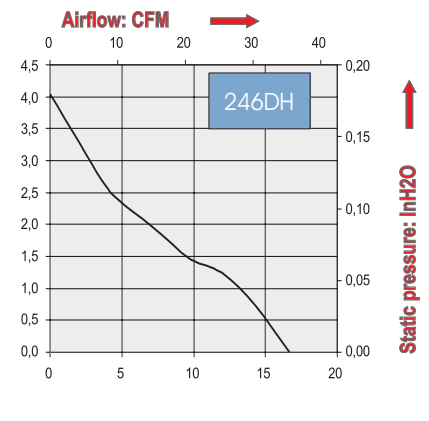
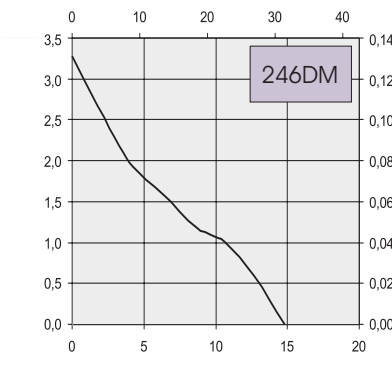
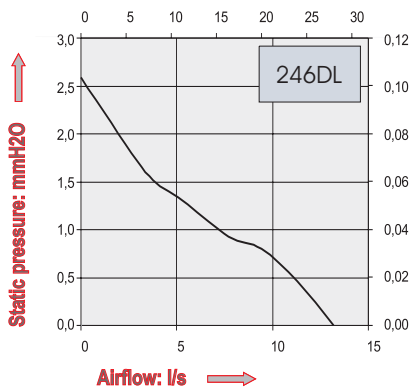
L-10 LIFE AT 40°C:
70 000 hours

Brushless DC Motor

Electrical protection: integrated circuit
Housing material: plastic UL 94 V0
Impeller material: plastic UL 94 V0
Maximum weight: 88 g
Bearing system: ball bearings
Connection: flying leads
IP 20

Available with:

- Speed sensor
- Alarm
- IP 54 / IP 55



Part Number	Nominal voltage	Airflow	Noise level	Nominal speed	Input Power	Voltage range	Operating temperature	
	V	l/s	dB(A)	RPM		V	Min.°C	Max.°C
246DL5LP11000	5	13,2	25	2400	1,2	(4,5-5,5)	-10	70
246DL1LP11000	12	13,2	25	2400	1,1	(7-13,8)	-10	70
246DL2LP11000	24	13,2	25	2400	1,1	(14-27,6)	-10	70
246DL4LP11000	48	13,2	25	2400	2,4	(38-56)	-10	70
246DM5LP11000	5	14,8	28	2700	1,7	(4,5-5,5)	-10	70
246DM1LP11000	12	14,8	28	2700	1,4	(7-13,8)	-10	70
246DM2LP11000	24	14,8	28	2700	1,4	(14-27,6)	-10	70
246DM4LP11000	48	14,8	28	2700	2,9	(38-56)	-10	70
246DH5LP11000	5	16,7	31	3000	2,2	(4,5-5,5)	-10	70
246DH1LP11000	12	16,7	31	3000	1,9	(7-13,8)	-10	70
246DH2LP11000	24	16,7	31	3000	1,7	(14-27,6)	-10	70
246DH4LP11000	48	16,7	31	3000	3,4	(38-56)	-10	70

Additional versions:

Higher speeds (refer to page 17)