

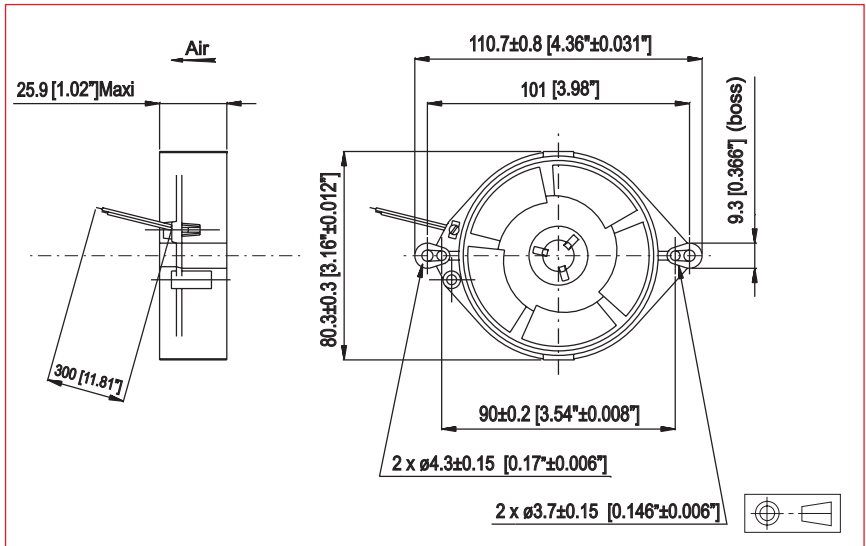


Approvals



Life expectancy

L-10 LIFE AT 40°C:
80 000 hours



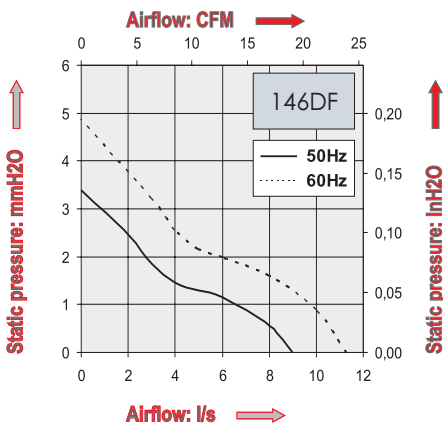
AC Motor

Electrical protection: impedance protected
Housing material: zamak
Impeller material: plastic UL 94 VO
Weight: 300 g
Bearing system: ball bearings
Connection: flying leads

Single phase
IP 20

Available with:

- IP 54
- Non RoHS on request



Part Number	Nominal voltage	Airflow		Noise level	Nominal speed	Frequency	Input Power	Nominal current	Starting current	Operating temperature	
		l/s	Cfm							Min.°C	Max.°C
146DF-0182-004	115	9	19	26	2500	50	10	105	120	-10	70
		11	23,3	32	3100	60	8	90	110	-10	70
146DF-0181-001	208-240	9	19	26	2500	50	11	60	70	-10	70
		11	23,3	32	3100	60	9	50	60	-10	70

Additional versions:

Shock and vibration protected - salt spray protected - marine specifications - wide temperature range

Accessories:

Refer to AC - DC Compact fans & Accessories catalogue