

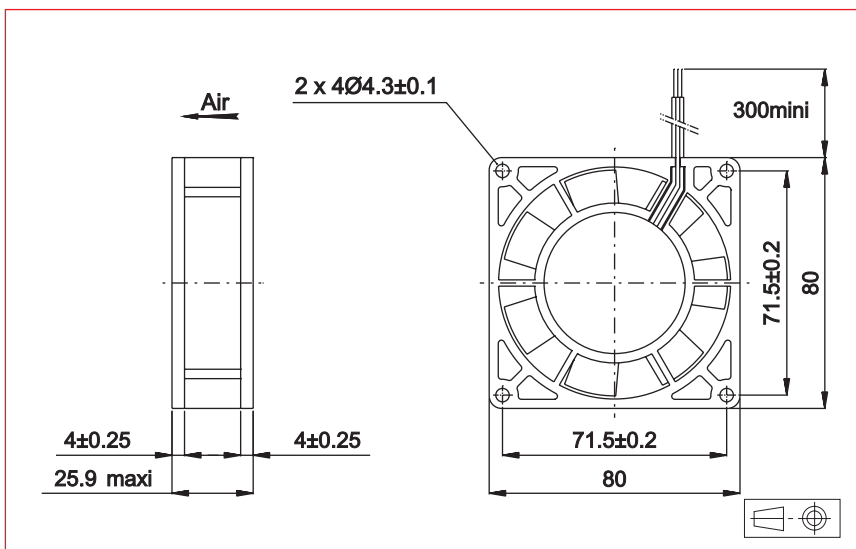


Approvals



Life expectancy

L-10 LIFE AT 40°C:
80 000 hours

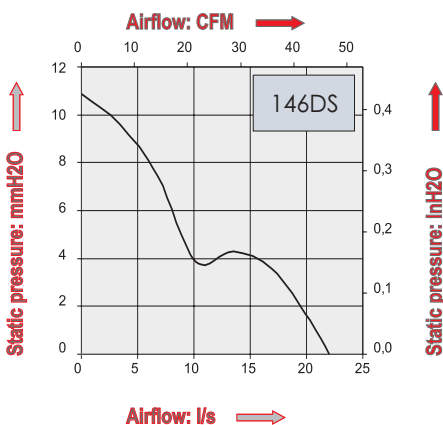


Brushless DC Motor

Electrical protection: integrated circuit
Housing material: plastic UL 94 V0
Impeller material: plastic UL 94 V0
Maximum weight: 144 g
Bearing system: ball bearings
Connection: flying leads
IP 20

Available with:

- Speed sensor
- Alarm
- Non RoHS on request
- Connection: terminals



Part Number	Nominal voltage	Airflow	Noise level	Nominal speed	Input Power	Voltage range	Operating temperature	
	V	l/s	dB(A)	RPM	W	V	Min.°C	Max.°C
146DS1LP11000	12	22,0	44	5585	7	(6-13,8)	-15	55
146DS2LP11000	24	22,0	44	5585	7	(15-28)	-15	55
146DS4LP11000	48	22,0	44	5585	7	(28-56)	-15	55

Additional versions:
Other speeds
IP 54: consult factory

