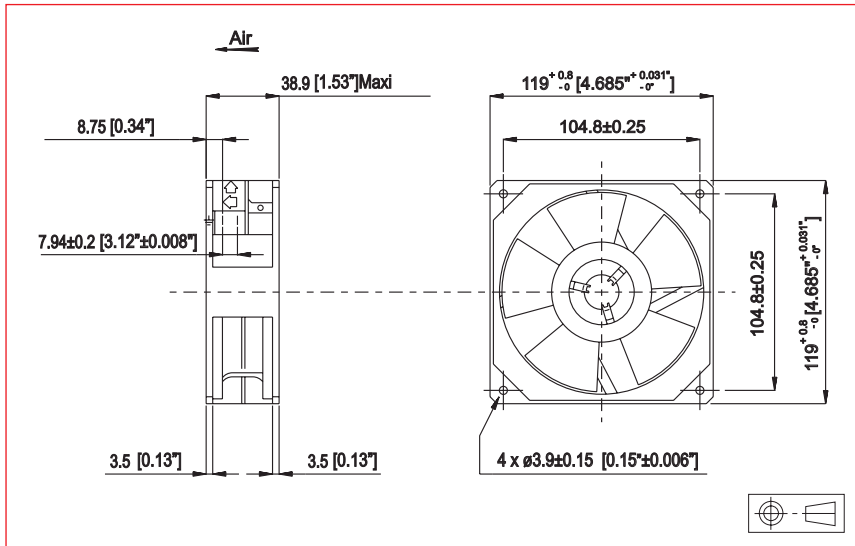


4,724" x 4,724" x 1,496 " 120 x 120 x 38 mm

Series  
125

**ETRI**

AC Axial Fans



Approvals



Life expectancy

L-10 LIFE AT 40°C:  
80 000 hours

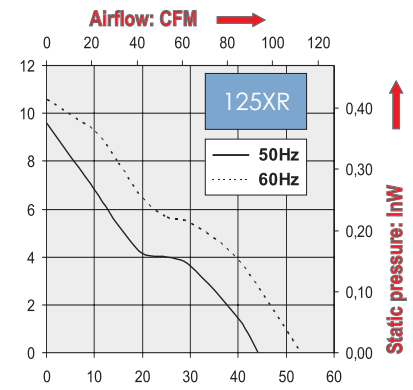
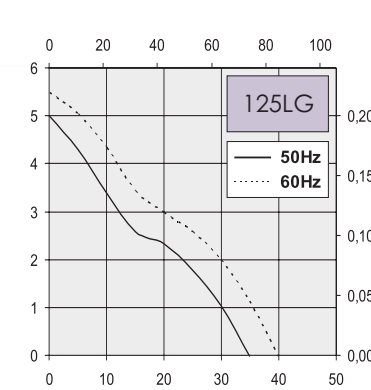
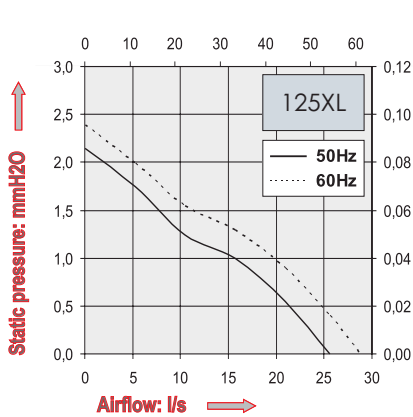
AC Motor

Electrical protection: impedance protected  
Housing material: zamak  
Impeller material: plastic UL 94 VO  
Weight: 725 g  
Bearing system: ball bearings  
Connection: terminals

Single phase  
IP 20

Available with:

- Flying leads - IP 54
- Speed sensor - Non RoHS on request



Part Number	Nominal voltage	Airflow		Noise level	Nominal speed	Frequency	Input Power	Nominal current	Starting current	Operating temperature	
	V	l/s	Cfm	dB(A)	RPM	Hz	W	mA	mA	Min.°C	Max.°C
125XL0282010	115	25	52,97	30	1600	50	12	135	145	-10	70
		27	57,2	32	1750	60	10	115	125	-10	70
125XL0281010	208-240	25	52,97	30	1600	50	12	75	90	-10	70
		27	57,2	32	1750	60	10	65	75	-10	70
125LG0282010	115	35	74,16	38	2200	50	16	200	260	-10	70
		40	84,76	40,5	2500	60	13	160	120	-10	70
125LG0281010	208-240	35	74,16	38	2200	50	18	110	140	-10	70
		40	84,76	40,5	2500	60	15	90	120	-10	70
125XR0282090	115	44	93,23	44	2800	50	16	200	310	-10	70
		53	112,3	48	3200	60	15	180	260	-10	70
125XR0281090	208-240	44	93,23	44	2500	50	18	125	170	-10	70
		53	112,3	48	3200	60	15	105	150	-10	70

Additional versions:

Dual voltage 115V - 230V - other weight: 560g - aluminium housing - salt spray protected - shock and vibration protected - marine specifications - wide temperature range

Accessories:

Refer to AC - DC Compact fans & Accessories catalogue

• <http://www.etrinet.com> • e-mail: [info@etrinet.com](mailto:info@etrinet.com) • ETRI is a trademark of ECOFIT

