

Technical data sheet

Revision b
Revision 06/2023

ECOFIT

by

rosenberg
THE AIR MOVEMENT GROUP
VENDÔME

Model
R27-A0-1

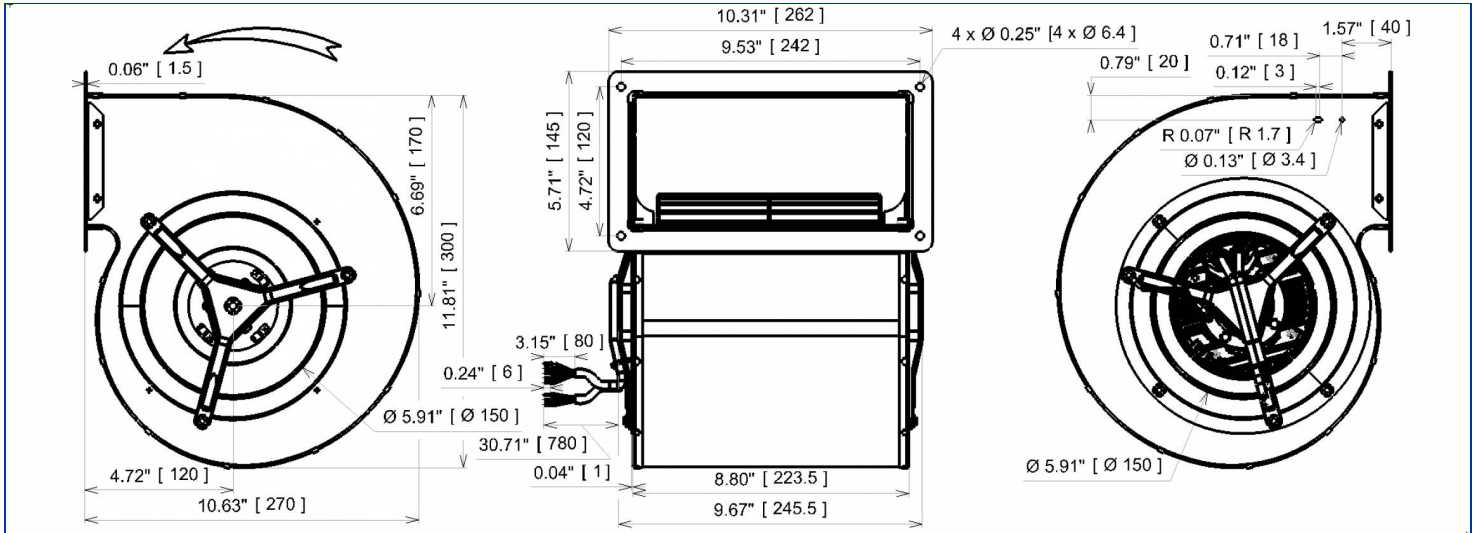


Designation **GDSuV8 180x180L**

Range Double inlet centrifugal fans with electronic commutation motor

ELECTRICAL DATA

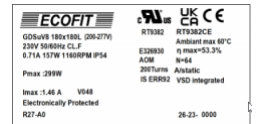
Tension (V)	230
Frequency (Hz)	50/60
Current (A)	0.71
Maximum current (A)	1.46
Power (W)	157
Maximum power (W)	299
Rotation (RPM)	1160
Cos Φ	0.961
Temperature min/max (°C)	-25/+60



MARKING & STANDARDS

Conformity

- CE** RT9382CE IEC 60335-2-80, IEC 60335-1, EN 60331-2-80, EN 60335-1
- UKCA**
- UL** RT9382 UL1004-1, 2nd edition rotating electrical machine File number E326930



The product is manufactured in accordance with EN 60335-1, UL1004-1, and RoHS directiv 2015/863/CE
IP class according to EN 60034-5 to be checked with operation and installation

Issued: 2023-06-30 at 11:40 Documentations and pictures are non contractual, all the data of the technical file and the drawing are subject to change.

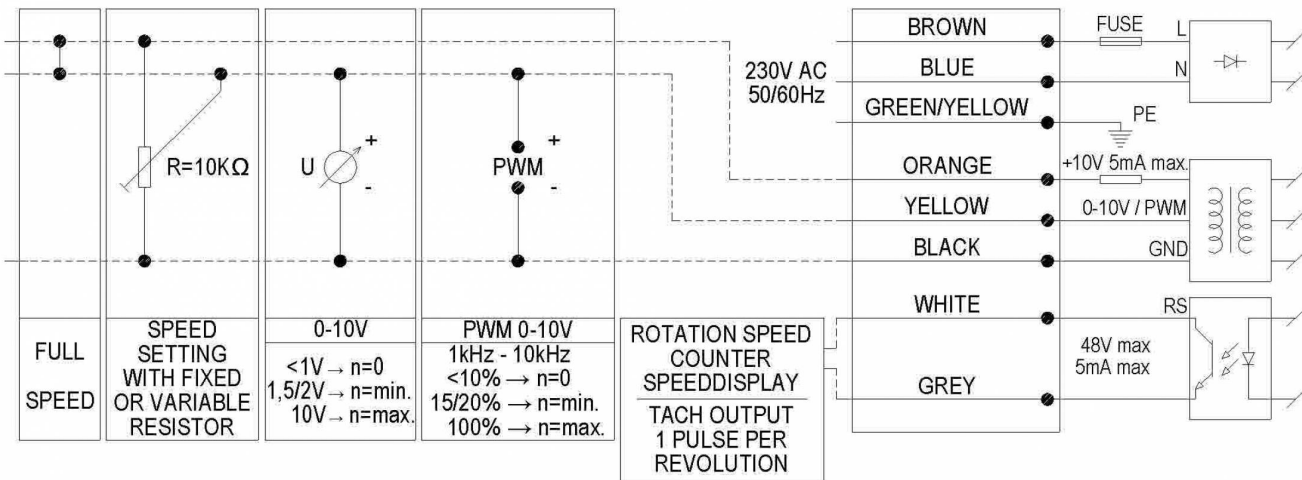
EN - Page 1 / 4

TECHNICAL DATA

Description

- Weight: 6.40 kg
- Class F
- Protection level: 54 | Protection against ingress of dust / Protection against ingress of water : splashing
- Motor's protection Electronically protected
- Bearing type: 2 ball bearings 6000ZZ
- Balance level: G2.5

Wiring diagram



Finishes

- Rotor electrolytic galvanizing protection
- Galvanized steel impeller
- Galvanized scroll and frame

The product is manufactured in accordance with EN 60335-1, UL1004-1, and RoHS directive 2015/863/CE
IP class according to EN 60034-5 to be checked with operation and installation

Issued: 2023-06-30 at 11:40 Documentations and pictures are non contractual, all the data of the technical file and the drawing are subject to change.

EN - Page 2 / 4



by



ADDITIONAL DATA

Accessories

- 21291 | Finger guard

Documentations

- Operating and recycling manual
<http://www.ecofit.com/anglais/normes>

Measurement setup

- Scroll 15175-c

ERP DATA

Data according to ErP directive

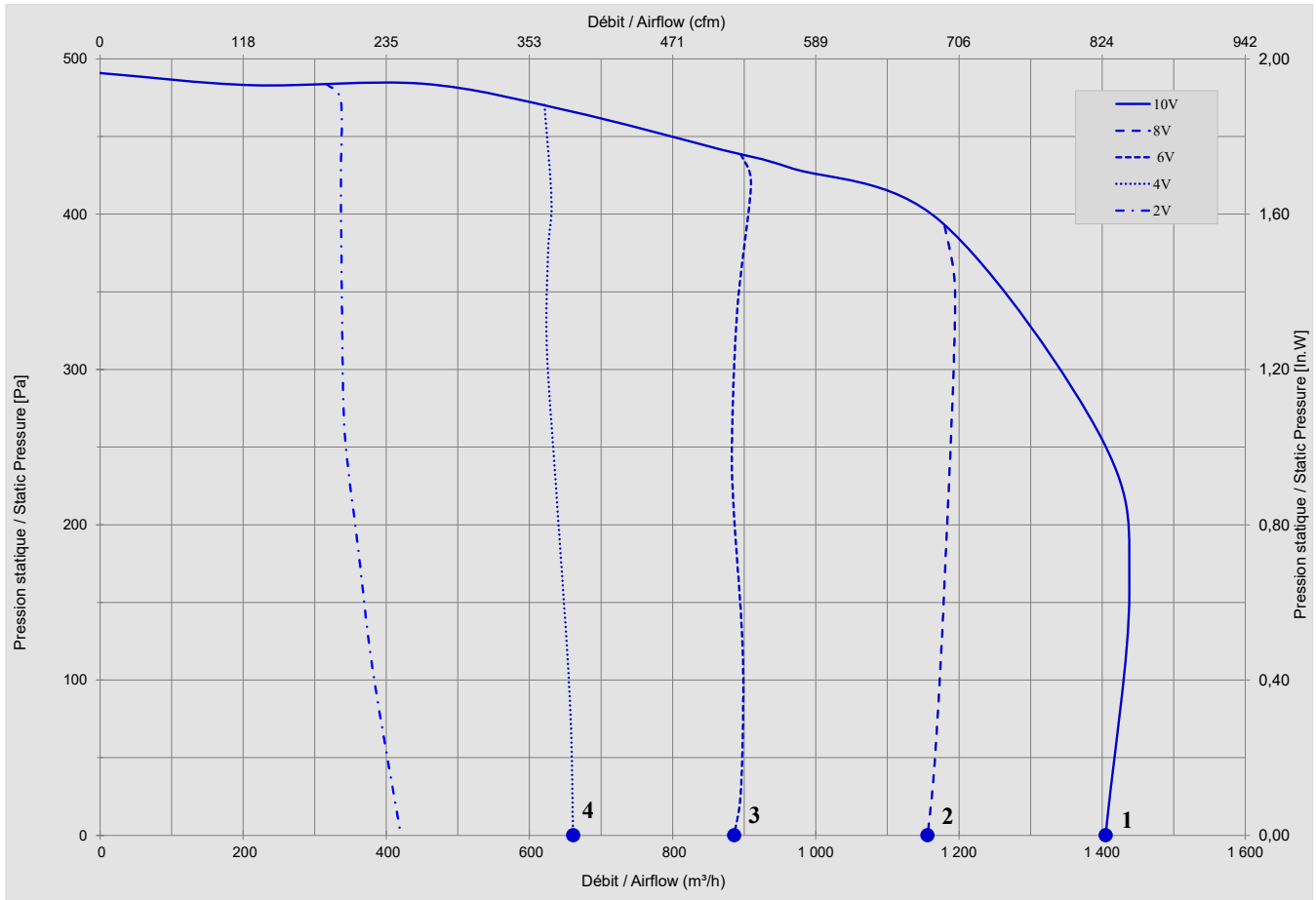
- Designed for standard applications according to the directive EU 2009/125/EC

Tension	230 V
Frequency	50/60 Hz
Power ¹	0.226 kW
Airflow ¹	867 m3/h
Pressure ¹	442 Pa
Rotation ¹	2040 RPM
Catégorie de mesure	A
Catégorie de rendement	total
Variateur de vitesse	Yes
Rapport spécifique	1.00

	Actual	2015
Rendement global	53.3	33.6
Niveau de rendement	64	44

¹ at optimum energy efficiency point

TECHNICAL DATA



	Un (V)	Vctl (Vdc)	F (Hz)	P (W)	n (RPM)	Q (m³/h)	P (Pa)	Q (cfm)	P (In.W)
1	230	10	50/60	157,0	1160	1 405	0	827	0,000
2	230	8	50/60	90,0	975	1 156	0	680	0,000
3	230	6	50/60	39,0	702	886	0	522	0,000
4	230	4	50/60	21,0	560	661	0	389	0,000

* Air performance measured according to: ISO 5801, installation category C.
Intake-side sound level: according to ISO 3744, LpA measured at 1 m distance from fan axis. The values given are only applicable under the specified measuring conditions and may differ depending on the installation conditions. In the event of deviation

The product is manufactured in accordance with EN 60335-1, UL1004-1, and RoHS directive 2015/863/CE
IP class according to EN 60034-5 to be checked with operation and installation

Issued: 2023-06-30 at 11:40 Documentations and pictures are non contractual, all the data of the technical file and the drawing are subject to change.

EN - Page 4 / 4