

Technical data sheet

Revision d
Revision 08/2023

ECOFIT

by

rosenberg
THE AIR MOVEMENT GROUP
VENDOME

Model
N19-A4-1

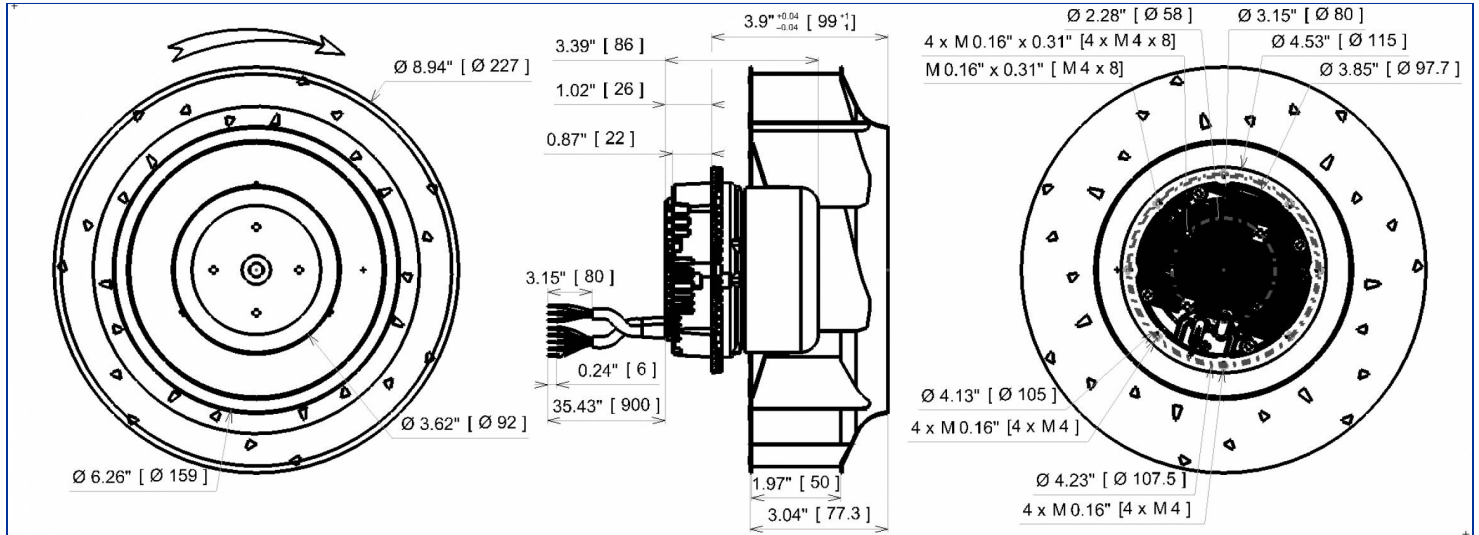


Designation **RREuG9 225x50R**

Range Backward curved centrifugal fans with electronic commutation motor

ELECTRICAL DATA

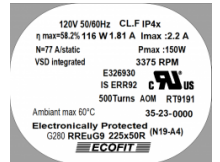
Tension (V)	120
Frequency (Hz)	50/60
Current (A)	1.81
Maximum current (A)	2.20
Power (W)	116
Maximum power (W)	150
Rotation (RPM)	3375
Cos Φ	0.534
Temperature min/max (°C)	-25/+60



MARKING & STANDARDS

Conformity

- **UL RT9191 UL1004-1**, 2nd edition rotating electrical machine
File number E326930



The product is manufactured in accordance with EN 60335-1, UL1004-1, and RoHS directiv 2015/863/CE
IP class according to EN 60034-5 to be checked with operation and installation

Issued: 2023-08-31 at 12:36 Documentations and pictures are non contractual, all the data of the technical file and the drawing are subject to change.

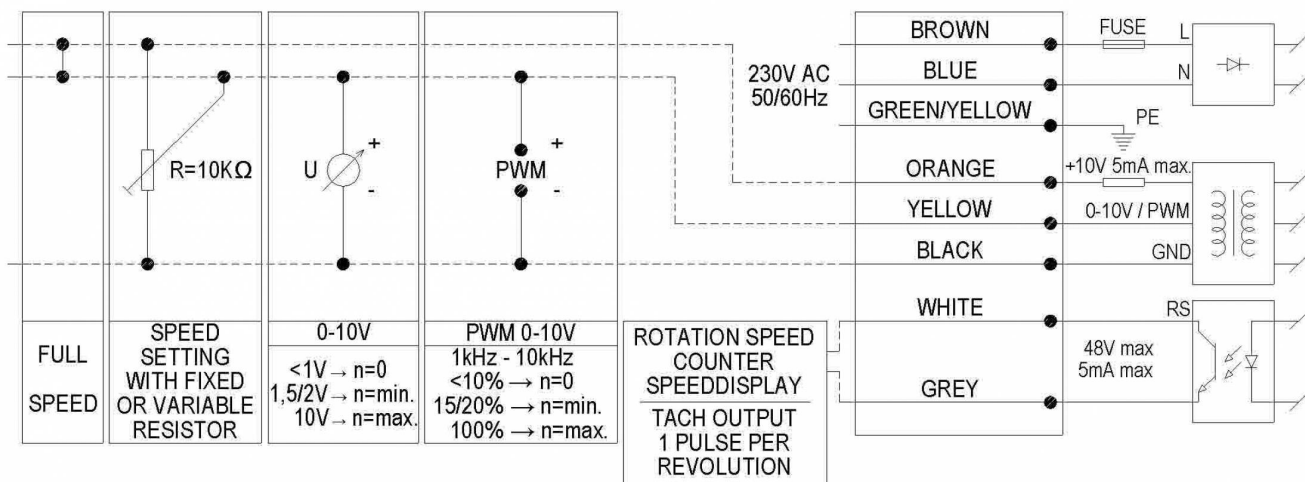
EN - Page 1 / 4

TECHNICAL DATA

Description

- Weight: 1.70 kg
- With Condensat Drain Holes
- Class F
- Protection level: 4x | Protection against ingress of solid with diameter ≥ 1 mm / No information
- Motor's protection Electronically protected
- Bearing type: 2 ball bearings 608ZZ
- Balance level: G2.5

Wiring diagram



Finishes

- Rotor : black paint
- Galvanized steel impeller

ADDITIONAL DATA

Accessories

- 21194 | Finger guard
- 16236 | Inlet cone

Documentations

- Operating and recycling manual
<http://www.ecofit.com/anglais/normes>

Measurement setup

- Ouie 16236-0 Ouie Ø261Ex Ø150.5 int galva

ERP DATA

Data according to ErP directive

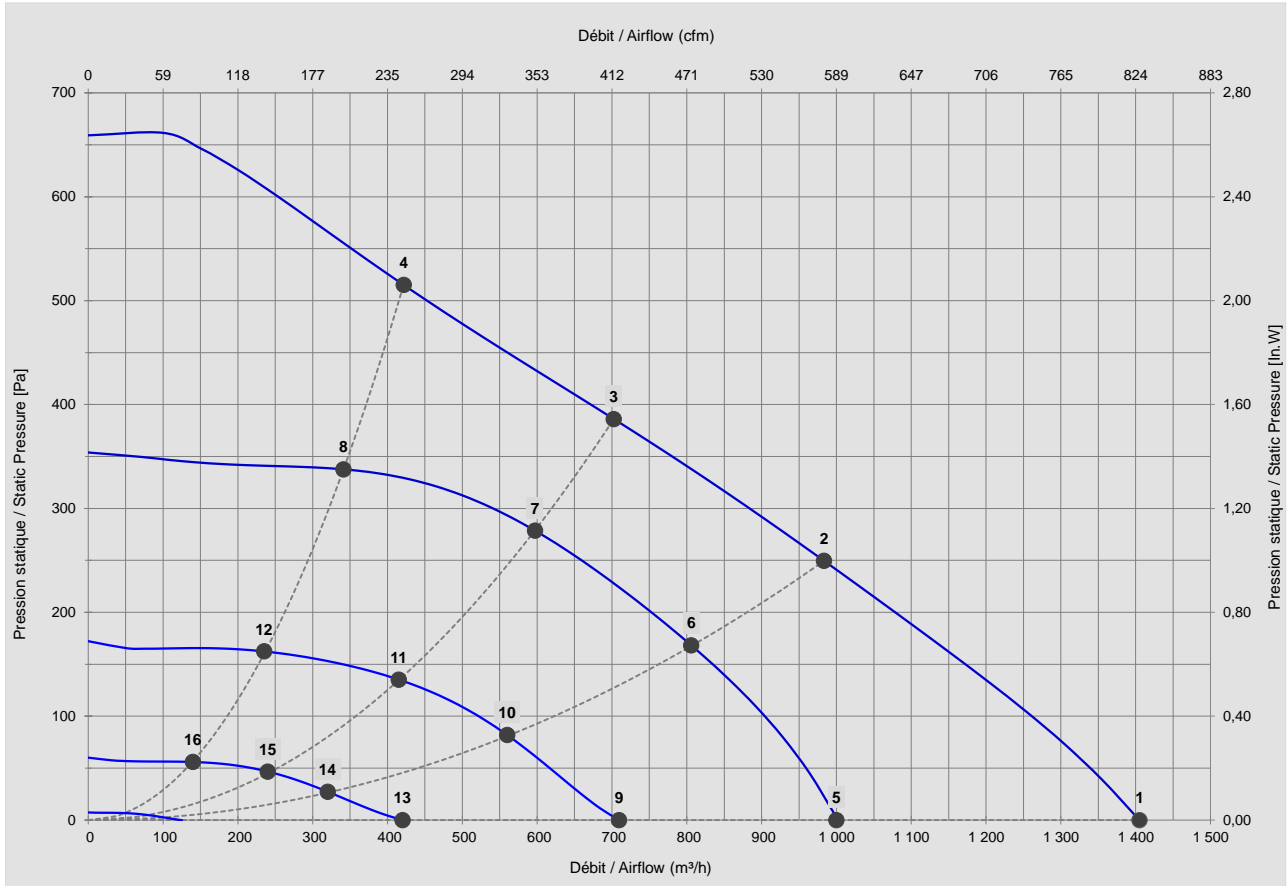
- Designed for standard applications according to the directiv EU 2009/125/EC

Tension	120 V
Frequency	50/60 Hz
Power ¹	0.15 kW
Airflow ¹	793 m3/h
Pressure ¹	346 Pa
Rotation ¹	2880 RPM
Catégorie de mesure	A
Catégorie de rendement	total
Variateur de vitesse	Yes
Rapport spécifique	1.00

	Actual	2015
Rendement global	58.2	42.8
Niveau de rendement	77	62

¹ at optimum energy efficiency point

TECHNICAL DATA



Mesures / Measured Values*

	Un (V)	Vctl (Vdc)	F (Hz)	P (W)	n (RPM)	Q (m³/h)	P (Pa)	Q (cfm)	P (In.W)	Lp _{in} (dBA)
1	120	10	50/60	116	3375	1 405	0	827	0,000	
2	120	10	50/60	151	2998	984	250	579	1,000	
3	120	10	50/60	147	2845	703	386	413	1,547	
4	120	10	50/60	153	3001	422	515	248	2,064	
5	120	8	50/60	49	2447	1 000	0	589	0,000	
6	120	8	50/60	83	2442	806	168	474	0,674	
7	120	8	50/60	94	2440	597	279	351	1,116	
8	120	8	50/60	82	2429	341	338	201	1,353	
9	120	6	50/60	19	1708	710	0	418	0,000	
10	120	6	50/60	30	1708	560	82	330	0,328	
11	120	6	50/60	34	1680	415	135	244	0,542	
12	120	6	50/60	30	1685	235	162	138	0,650	
13	120	4	50/60	6	1016	420	0	247	0,000	
14	120	4	50/60	8	1000	320	27	188	0,109	
15	120	4	50/60	9	1004	240	47	141	0,187	
16	120	4	50/60	9	994	140	56	82	0,224	

* Air performance measured according to: ISO 5801, installation category C.
Intake-side sound level: according to ISO 3744, LpA measured at 1 m distance from fan axis. The values given are only applicable under the specified measuring conditions and may differ depending on the installation conditions. In the event of deviation

The product is manufactured in accordance with EN 60335-1, UL1004-1, and RoHS directive 2015/863/CE
IP class according to EN 60034-5 to be checked with operation and installation

Issued: 2023-08-31 at 12:36 Documentations and pictures are non contractual, all the data of the technical file and the drawing are subject to change.