

Technical data sheet

Revision d
Revision 09/2023

ECOFIT

by

rosenberg
THE AIR MOVEMENT GROUP
VENDOME

Model
M36-A6-1

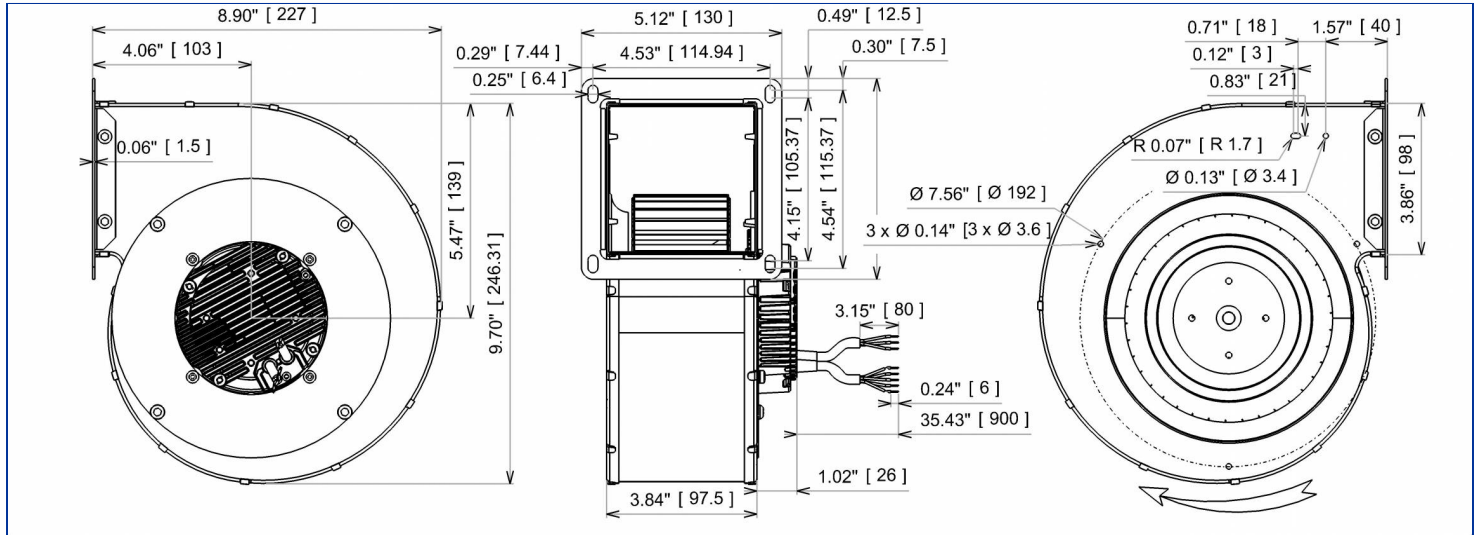


Designation **GREuG9 160x62R**

Range Single inlet centrifugal fans with electronic commutation motor

ELECTRICAL DATA

Tension (V)	120
Frequency (Hz)	50/60
Current (A)	2.09
Maximum current (A)	2.17
Power (W)	142
Maximum power (W)	147
Rotation (RPM)	1910
Cos Φ	0.566
Temperature min/max (°C)	-25/+60



MARKING & STANDARDS

Conformity

- **UL RT9191 UL1004-1, 2nd edition** rotating electrical machine
File number E326930

ECOFIT
GREuG9 160x62R
120V 50/60Hz CL.F
2.09A 142W 1910RPM IP44

UL
RT9191
E326930
600Turns
N=56
A1static
IS ERR92
Electronically Protected
M36-A6

Ambient max 60°C
η max=44.1%
VSD integrated
22-22-0000

The product is manufactured in accordance with EN 60335-1, UL1004-1, and RoHS directive 2015/863/CE
IP class according to EN 60034-5 to be checked with operation and installation

Issued: 2023-09-29 at 11:44 Documentations and pictures are non contractual, all the data of the technical file and the drawing are subject to change.

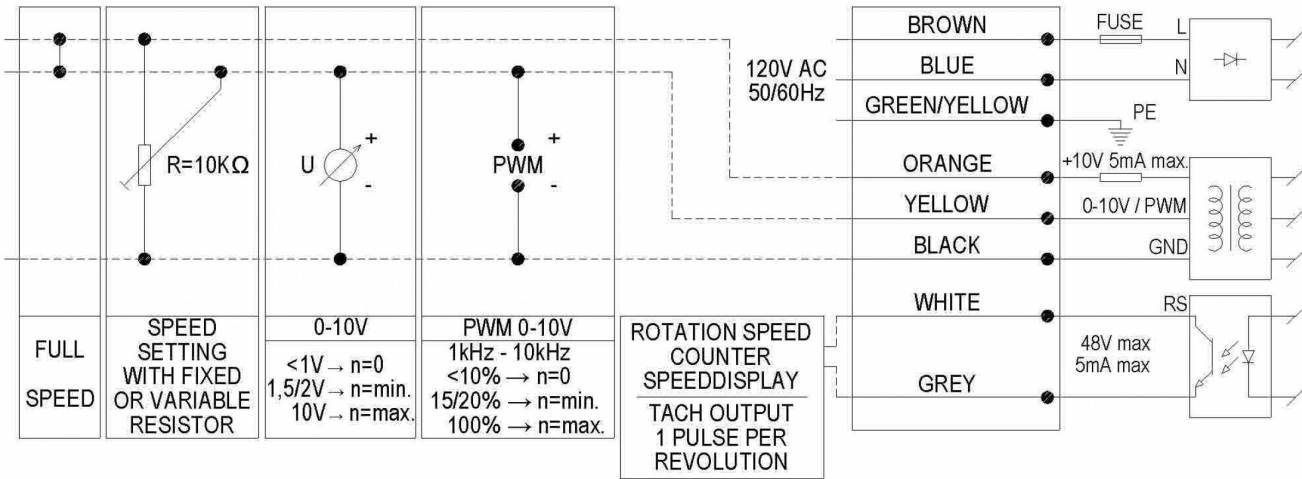
EN - Page 1 / 4

TECHNICAL DATA

Description

- Weight: 2.80 kg
- With Condensat Drain Holes
- Class F
- Protection level: 4x | Protection against ingress of solid with diameter ≥ 1 mm / No information
- Motor's protection Electronically protected
- Bearing type: 2 ball bearings 608ZZ
- Balance level: G2.5

Wiring diagram



Finishes

- Galvanized steel impeller
- Motor - UL Recognized component
- Galvanized steel scroll housing



by



ADDITIONAL DATA

Accessories

- 21325 | Finger guard

Documentations

- Operating and recycling manual
<http://www.ecofit.com/anglais/normes>

Measurement setup

- Scroll 15327-a VOL VV98D Ouie Ø135

ERP DATA

Data according to ErP directive

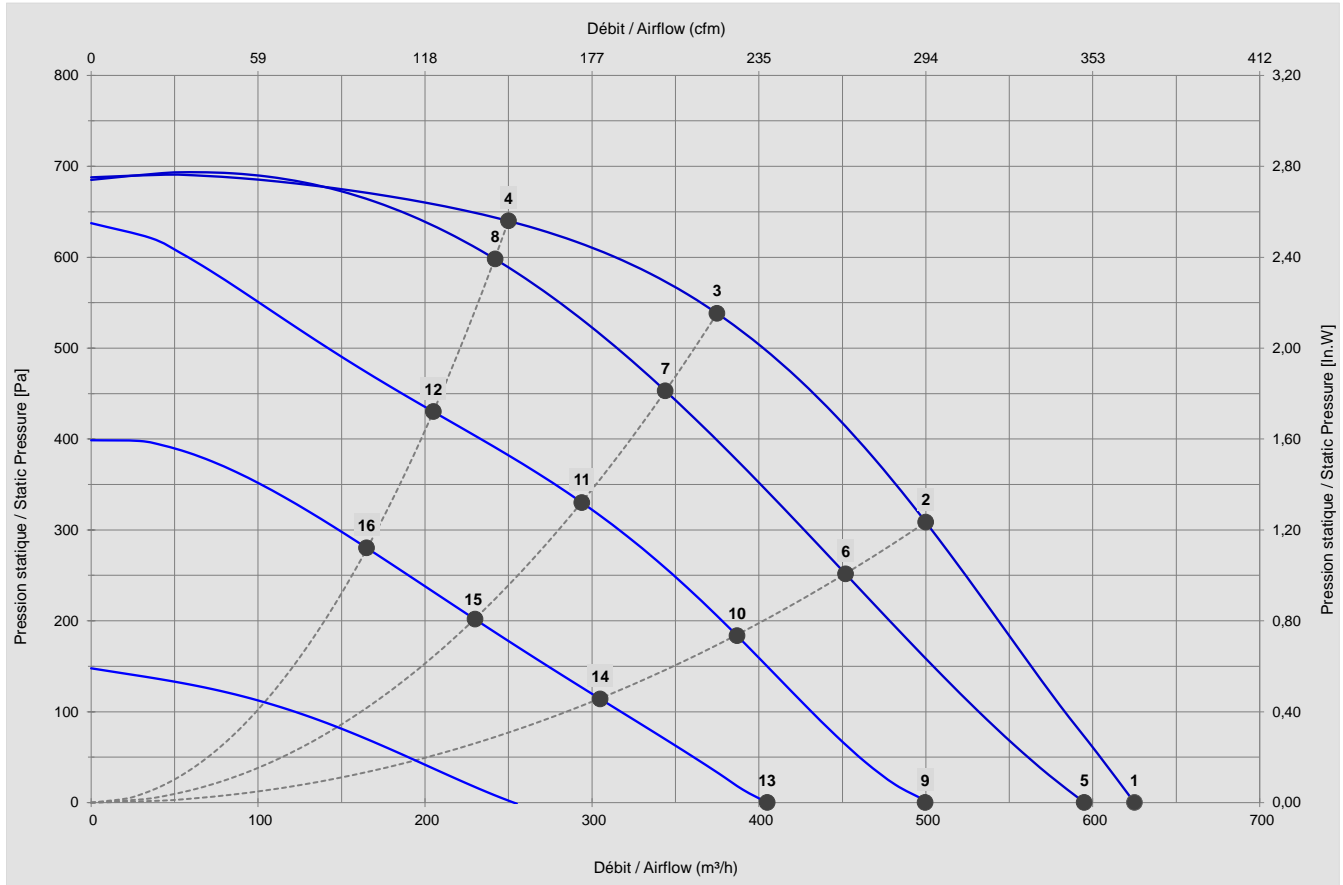
- Designed for standard applications according to the directive EU 2009/125/EC

Tension	120 V
Frequency	50/60 Hz
Power ¹	0.147 kW
Airflow ¹	409 m3/h
Pressure ¹	499 Pa
Rotation ¹	2616 RPM
Catégorie de mesure	A
Catégorie de rendement	total
Variateur de vitesse	Yes
Rapport spécifique	1.00

	Actual	2015
Rendement global	44.1	32.4
Niveau de rendement	56	44

¹ at optimum energy efficiency point

TECHNICAL DATA



Mesures / Measured Values*

	Un (V)	Vctl (Vdc)	F (Hz)	P (W)	n (RPM)	Q (m³/h)	P (Pa)	Q (cfm)	P (In.W)	Lp _r (dBA)
1	120	10	50/60	142	1910	625	0	368	0,000	67
2	120	10	50/60	149	2329	500	309	294	1,236	67
3	120	10	50/60	144	2706	375	538	221	2,156	66
4	120	10	50/60	124	2939	250	640	147	2,564	70
5	120	8	50/60	110	1790	595	0	350	0,000	66
6	120	8	50/60	110	2129	452	251	266	1,007	64
7	120	8	50/60	110	2479	344	453	202	1,815	65
8	120	8	50/60	110	2842	242	598	142	2,395	69
9	120	6	50/60	70	1518	500	0	294	0,000	62
10	120	6	50/60	69	1822	387	184	228	0,735	60
11	120	6	50/60	69	2129	294	330	173	1,322	60
12	120	6	50/60	69	2438	205	430	121	1,723	66
13	120	4	50/60	37	1231	405	0	238	0,000	57
14	120	4	50/60	36	1469	305	114	180	0,457	56
15	120	4	50/60	37	1721	230	202	135	0,808	55
16	120	4	50/60	37	1952	165	280	97	1,123	59

* Air performance measured according to: ISO 5801, installation category C.
Intake-side sound level: according to ISO 3744, LpA measured at 1 m distance from fan axis. The values given are only applicable under the specified measuring conditions and may differ depending on the installation conditions. In the event of deviation

The product is manufactured in accordance with EN 60335-1, UL1004-1, and RoHS directive 2015/863/CE
IP class according to EN 60034-5 to be checked with operation and installation

Issued: 2023-09-29 at 11:44 Documentations and pictures are non contractual, all the data of the technical file and the drawing are subject to change.

EN - Page 4 / 4