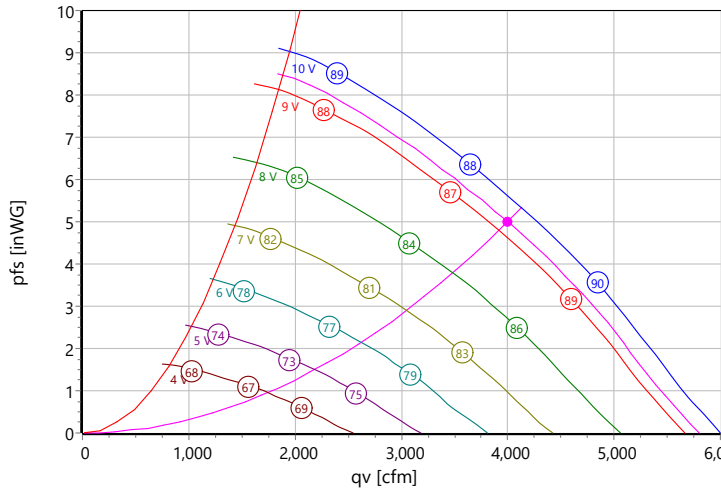




Type: **GKHM 355-CII.118.6FF IE Gen3**
Module Classic
Part no.: N88-35702



Curve:



p: 1.15 kg/m³ ; Data @ 400 V

Operating Point:

q _v	4000	cfm
p _{fs}	5	inWG
p _{fd}	0.37	inWG
η _{ed,fs}	61.1	%
η _{ed,tot}	65.6	%
P _{ed}	3.85	kW
I	5.9	A
n	3531	r/min
L _{WA, AIN}	88	dB(A)
U _C	9.1	V
v	41.29	ft/s
SFP	2037	Ws/m³
t _{R, OP}	48	°C
P _{Düse}	8.1	inWG

Fan Energy Index:

according to AMCA 208-18		
FEI	1.36	

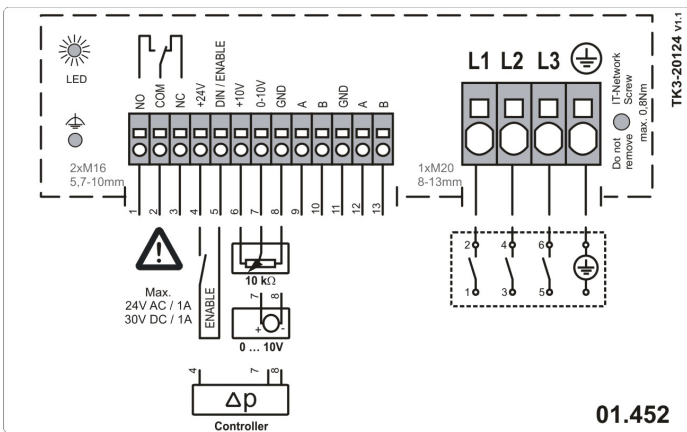
Nominal Data:

U [V]	f [Hz]	Data @ [V]	P _{ed} [kW]	I _N [A]	n _N [r/min]	t _R [°C]	k ₁₀ [m²s/h]	Eff.-Rating	IP	m [kg]
3~380-480	50/60	400	4.44	6.8	3650	-25 .. +40	115	IE5	IP 54	32
		460		6						

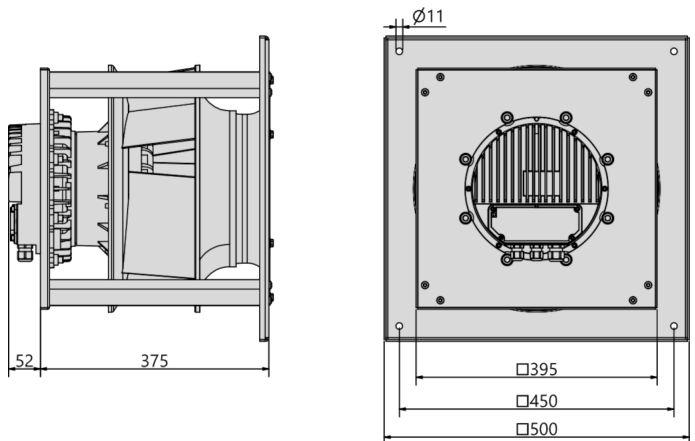
Sound Data:

Frequency	Σ	63Hz	125Hz	250Hz	500Hz	1kHz	2kHz	4kHz	8kHz	Distances	1 m	4 m
LwA(A,in) [dB(A)]	88	54	54	80	82	80	80	78	76	LpA(A,in) [dB(A)]	80	70
LwA(A,out) [dB(A)]	92	56	60	84	84	86	84	82	80	LpA(A,out) [dB(A)]	84	74

Wiring Diagram:



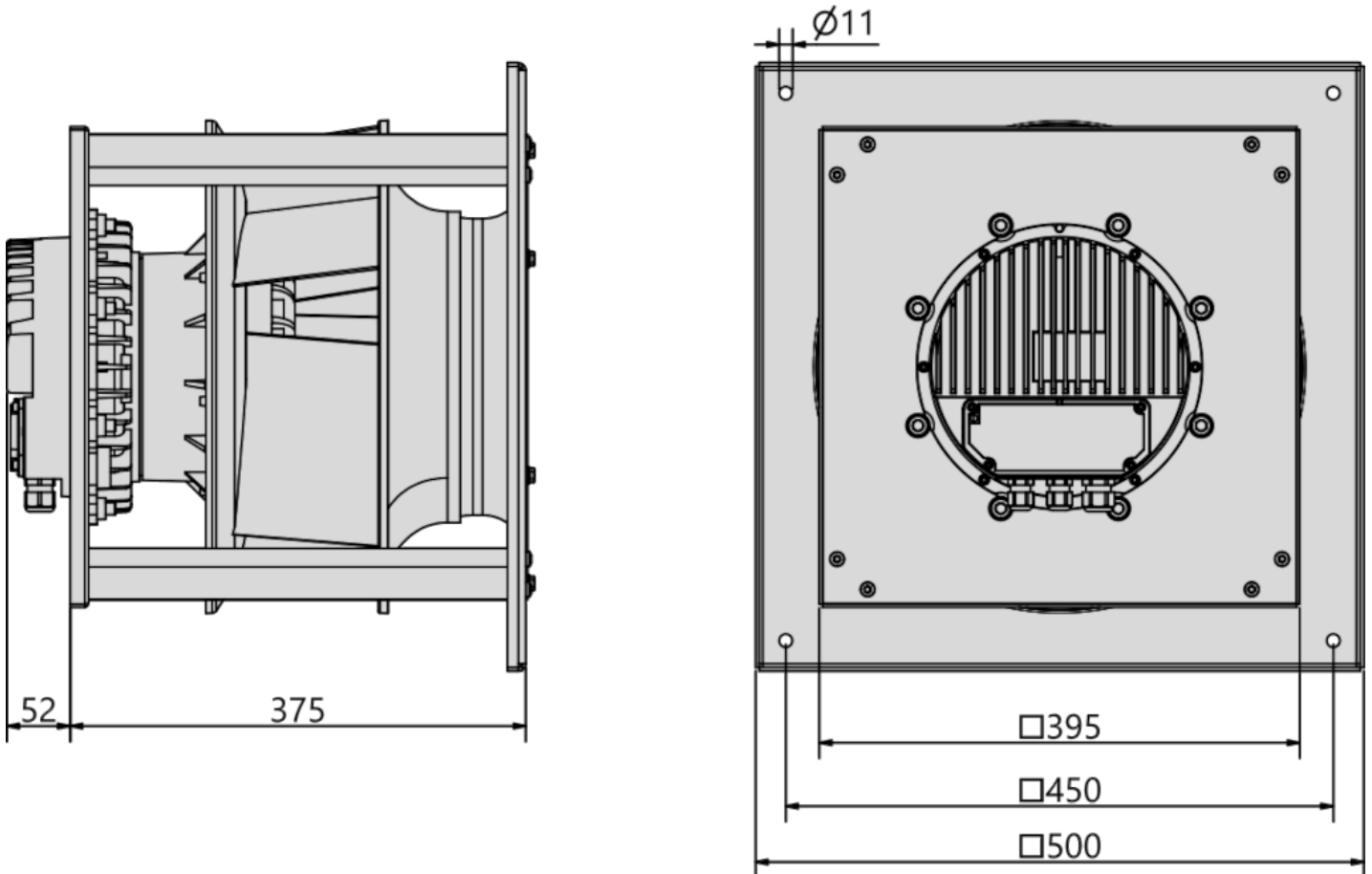
Drawing:



Attention: Start-up times up to ~ 20 - 60 sec. depending on motor-impeller combination, motor load and number of operation.
Please note during project planning (e.g. for condenser units in refrigeration circuits)!

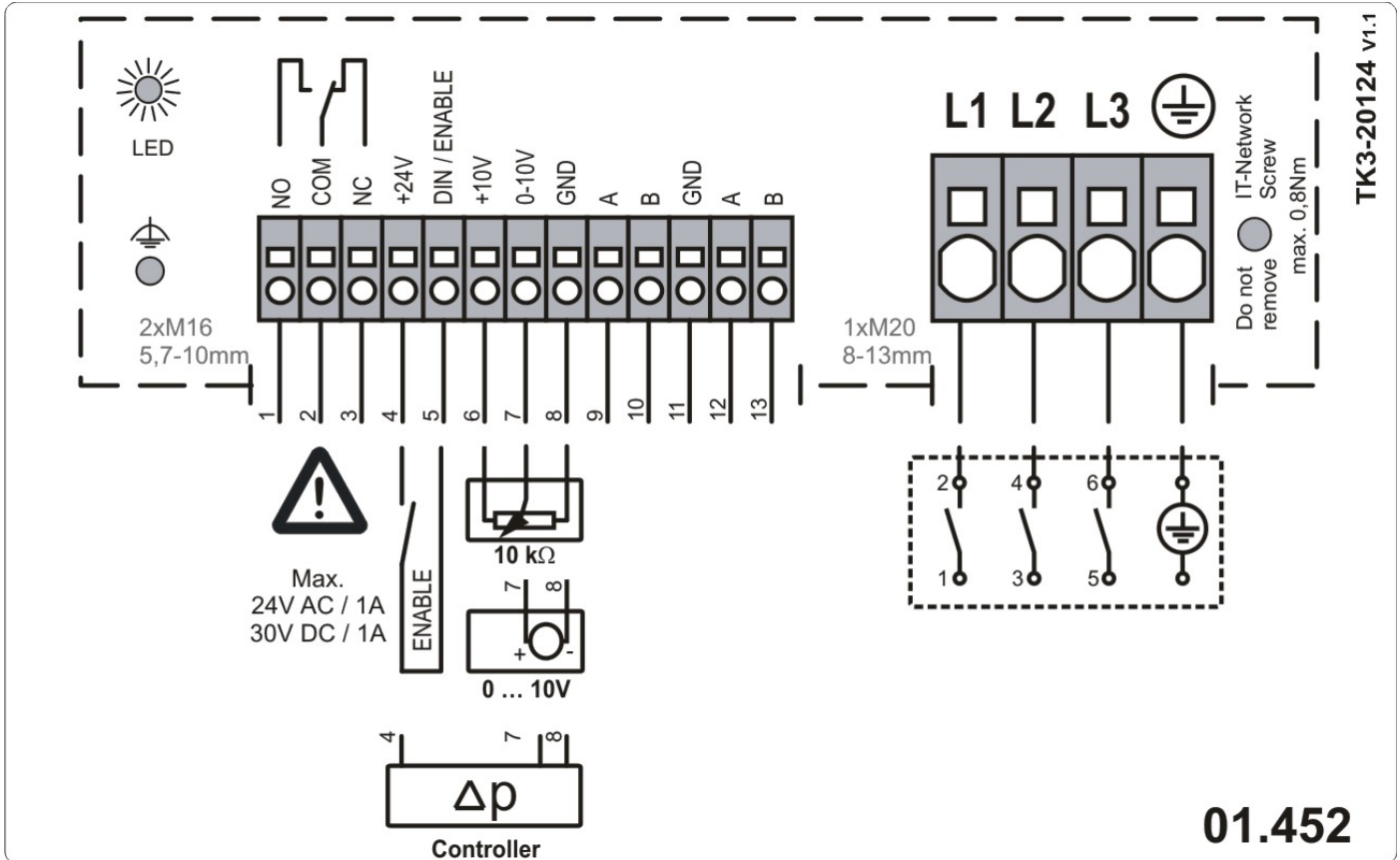


Type: **GKHM 355-CII.118.6FF IE Gen3**
 Module Classic
 Part no.: N88-35702





Type: **GKHM 355-CII.118.6FF IE Gen3**
 Module Classic
 Part no.: N88-35702

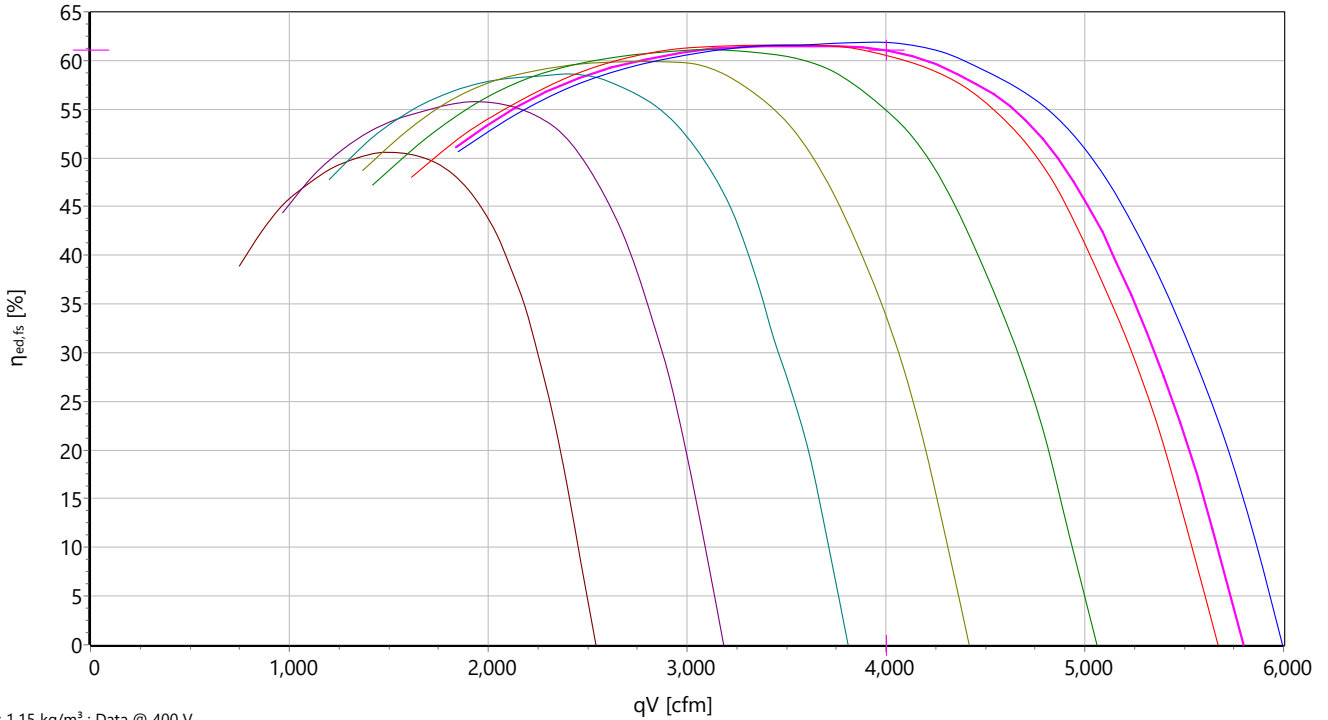




Type: **GKHM 355-CII.118.6FF IE Gen3**
 Module Classic
 Part no.: N88-35702

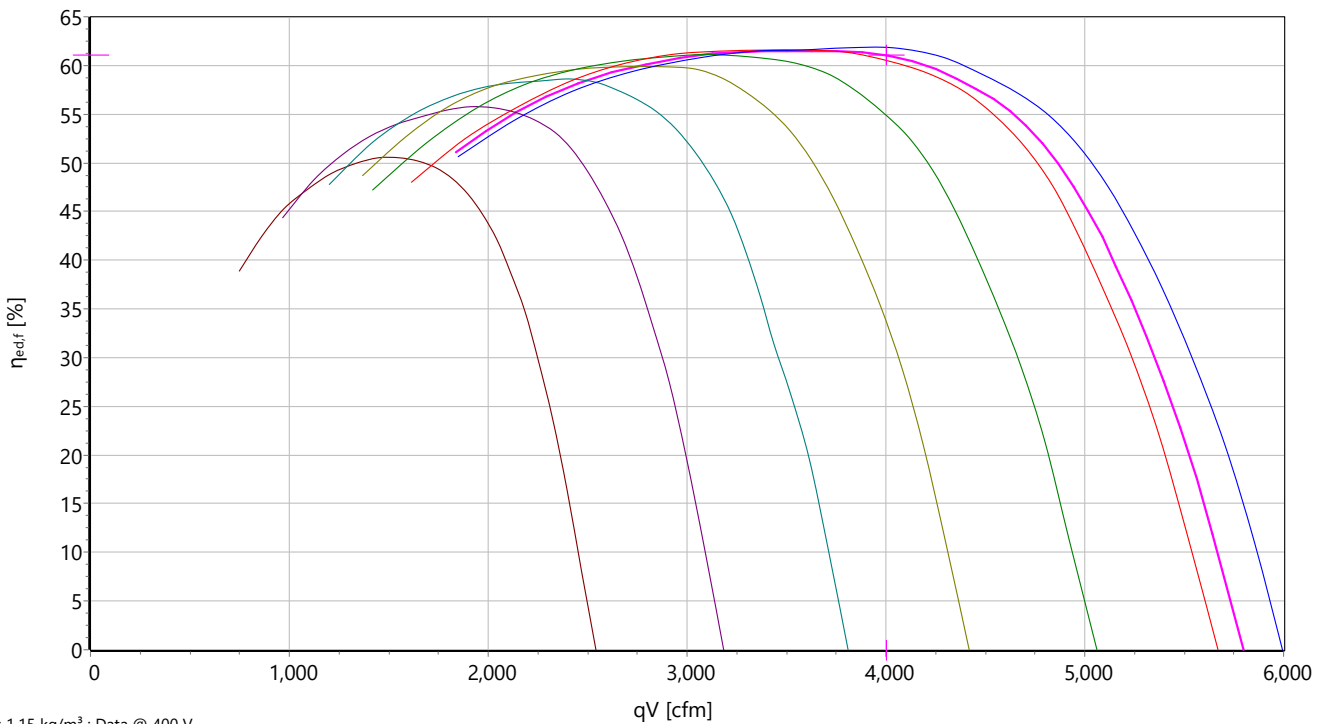


stat. Efficiency



$\rho: 1.15 \text{ kg/m}^3$; Data @ 400 V

tot. Efficiency



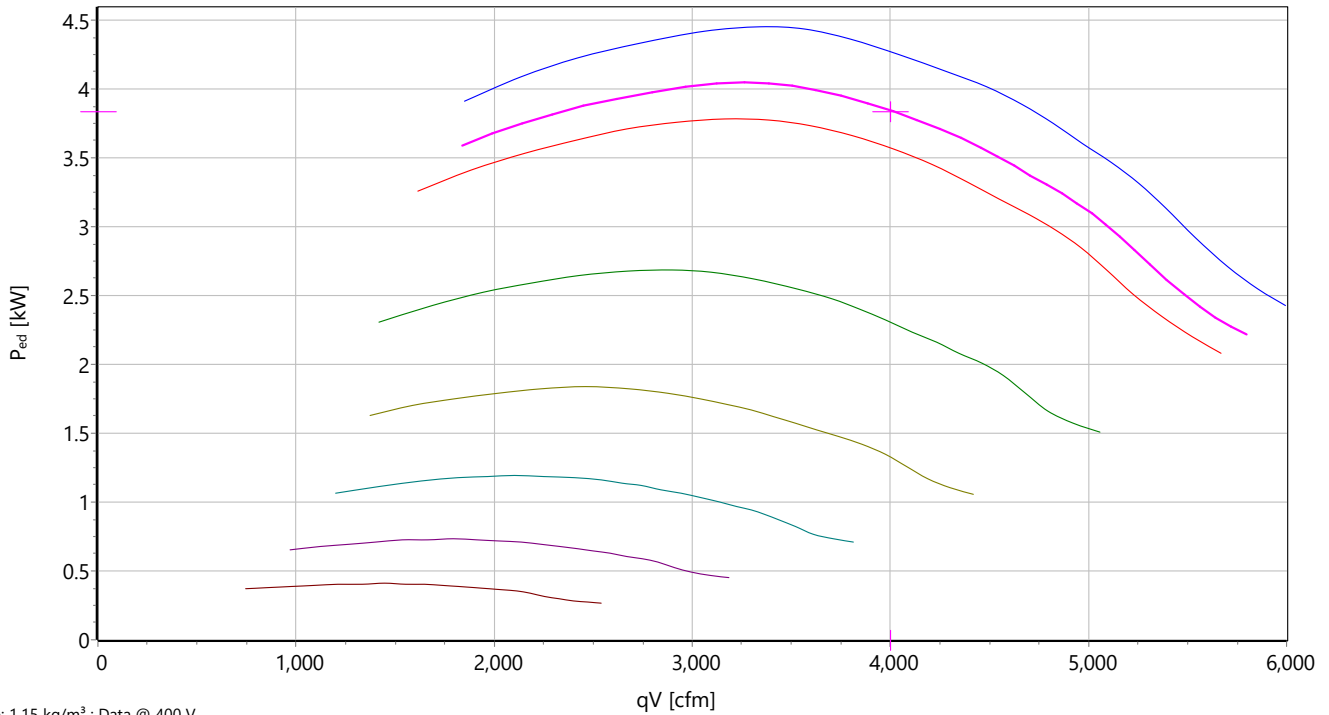
$\rho: 1.15 \text{ kg/m}^3$; Data @ 400 V



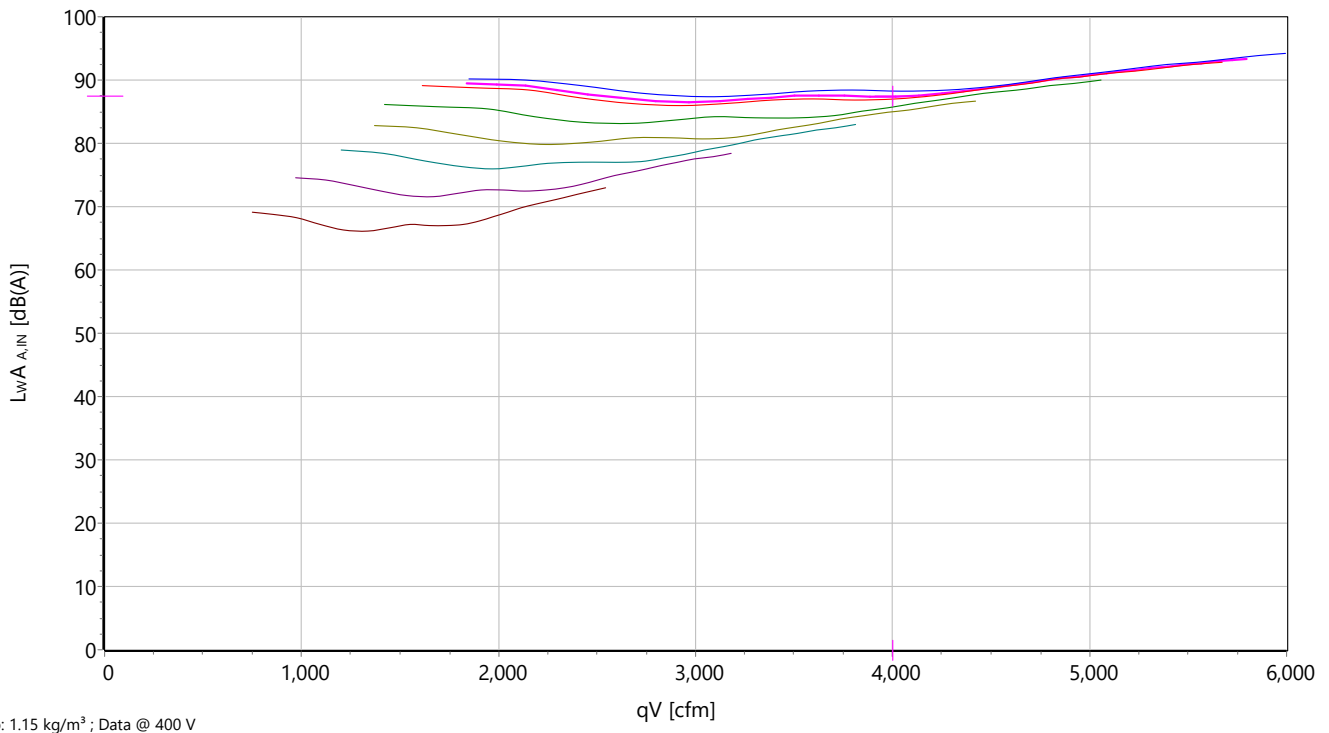
Type: **GKHM 355-CII.118.6FF IE Gen3**
 Module Classic
 Part no.: N88-35702



Input power



Sound power

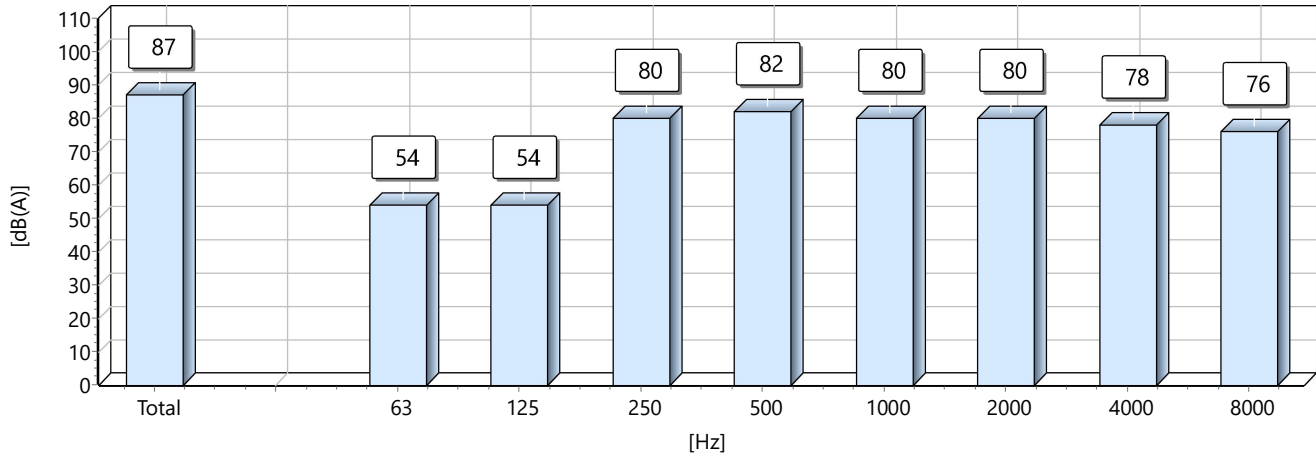




Type: **GKHM 355-CII.118.6FF IE Gen3**
 Module Classic
 Part no.: N88-35702



LwA(in)



LwA(out)

