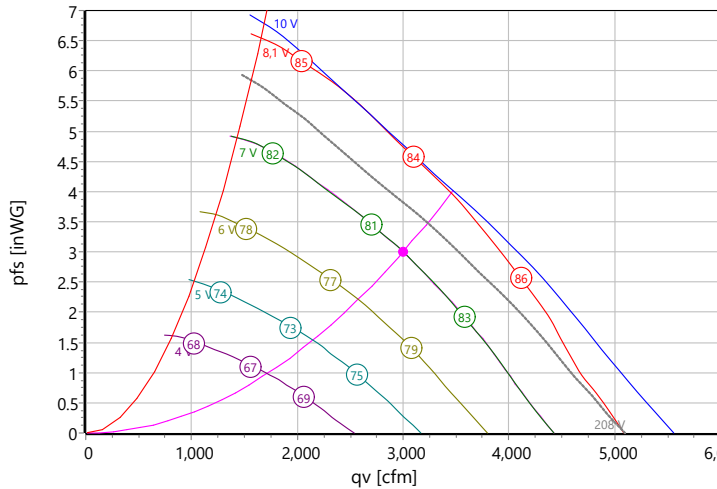




Type: **GKHM 355-CII.118.6FF IE Gen3**  
Module Classic  
Part no.: N88-35702



**Curve:**



p: 1.15 kg/m³ ; Data @ 230 V

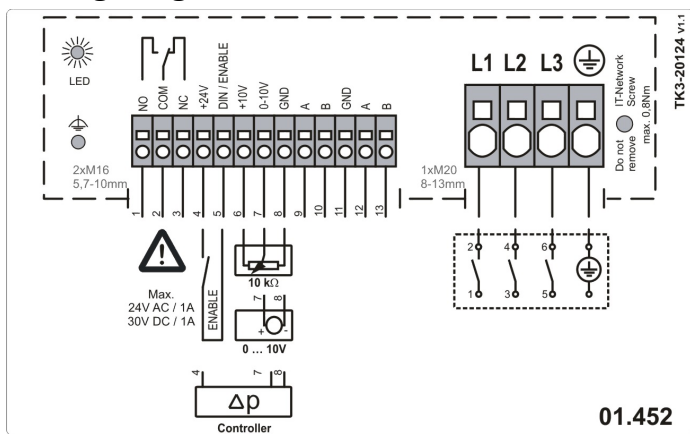
**Nominal Data:**

U [V]	f [Hz]	Data @ [V]	P <sub>ed</sub> [kW]	I <sub>N</sub> [A]	n <sub>N</sub> [r/min]	t <sub>R</sub> [°C]	k <sub>10</sub> [m²s/h]	Eff.-Rating	IP	m [kg]
3~200-240	50/60	230	2.77	7.25	3115	-25 .. +40	115	IE5	IP 54	32
		208	2.23	6.55	2890					

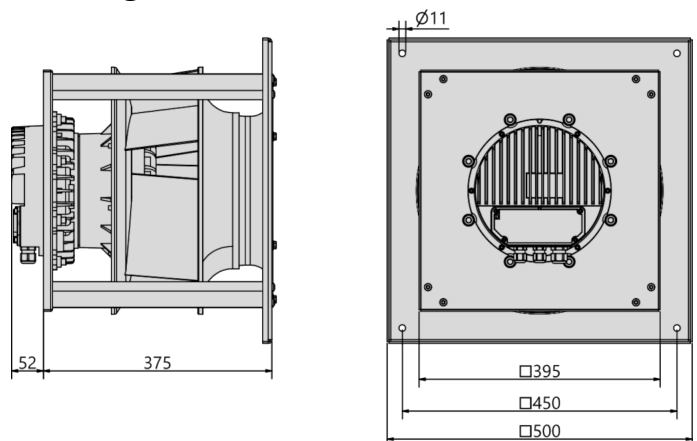
**Sound Data:**

Frequency	Σ	63Hz	125Hz	250Hz	500Hz	1kHz	2kHz	4kHz	8kHz	Distances	1 m	4 m
LwA(A,in) [dB(A)]	81	47	48	74	75	74	73	72	69	LpA(A,in) [dB(A)]	74	64
LwA(A,out) [dB(A)]	85	49	54	78	78	79	77	76	73	LpA(A,out) [dB(A)]	78	68

**Wiring Diagram:**



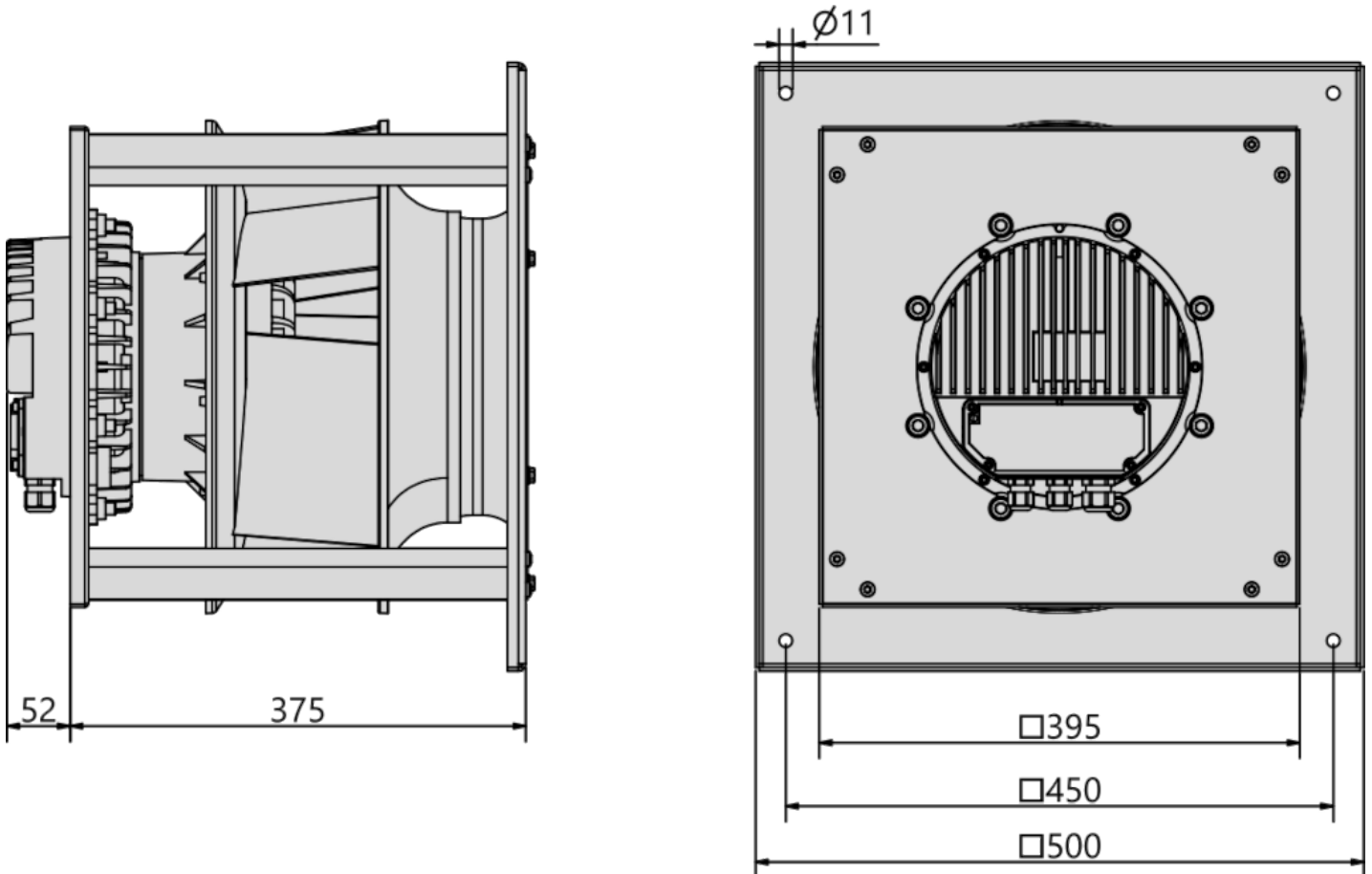
**Drawing:**



Attention: Start-up times up to ~ 20 - 60 sec. depending on motor-impeller combination, motor load and number of operation.  
Please note during project planning (e.g. for condenser units in refrigeration circuits)!

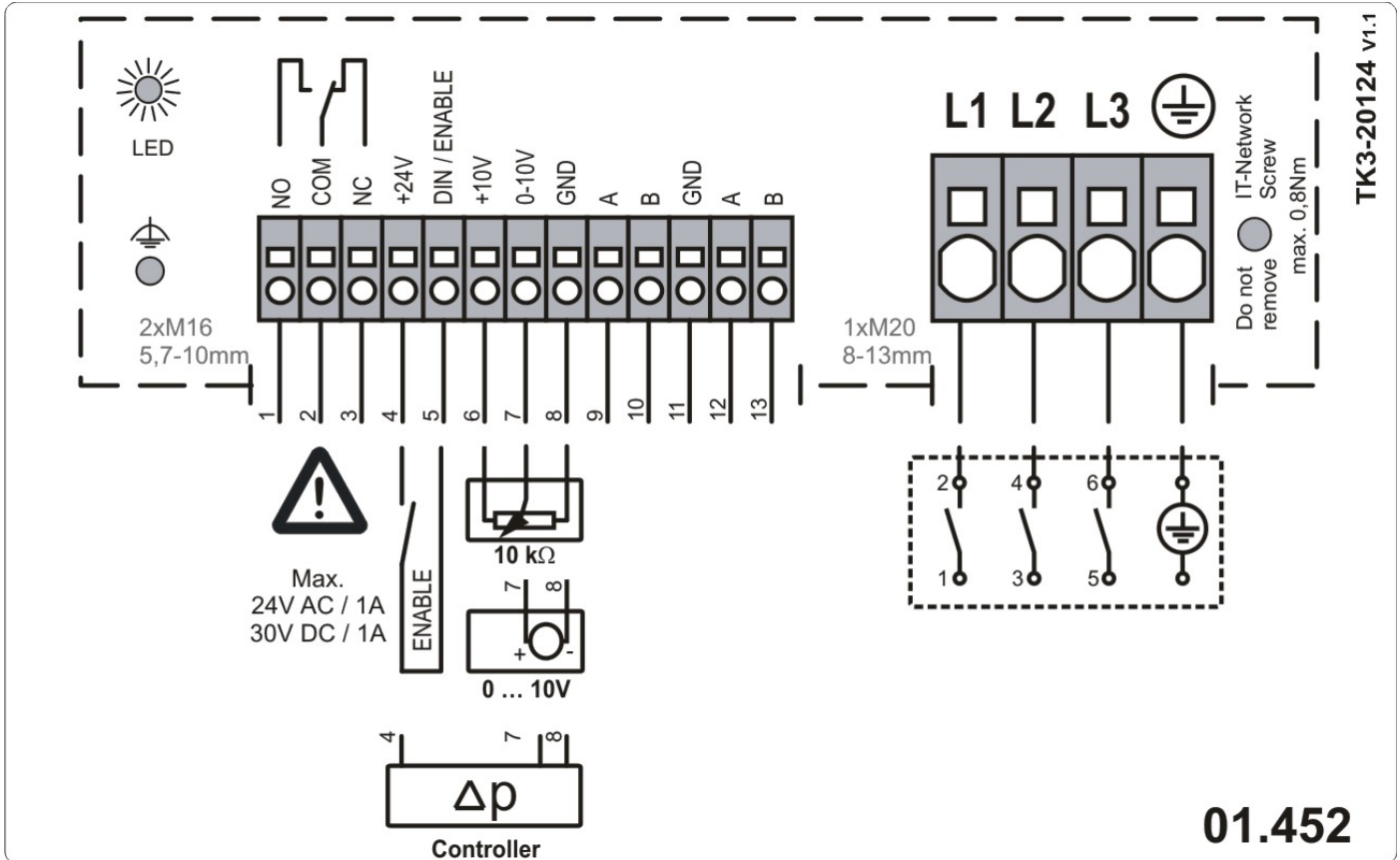


Type: **GKHM 355-CII.118.6FF IE Gen3**  
 Module Classic  
 Part no.: N88-35702





Type: **GKHM 355-CII.118.6FF IE Gen3**  
 Module Classic  
 Part no.: N88-35702

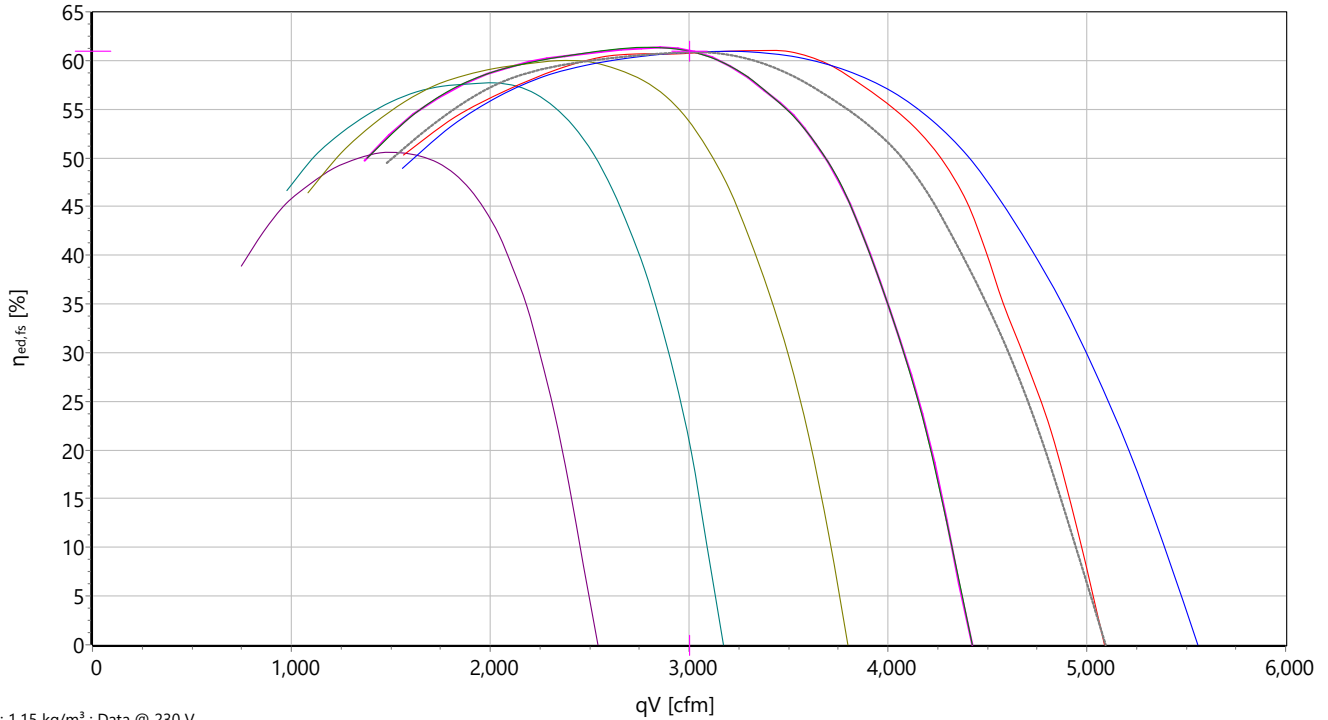




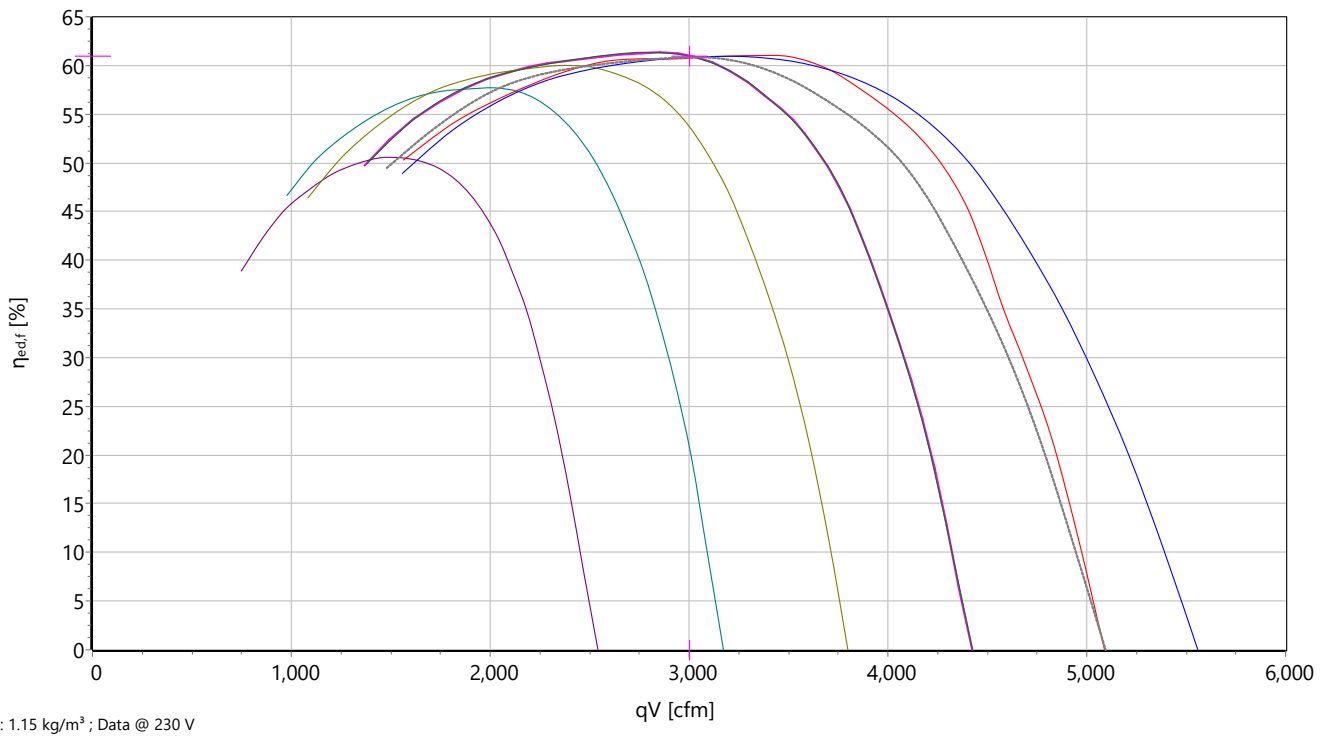
Type: **GKHM 355-CII.118.6FF IE Gen3**  
 Module Classic  
 Part no.: N88-35702



**stat. Efficiency**



**tot. Efficiency**

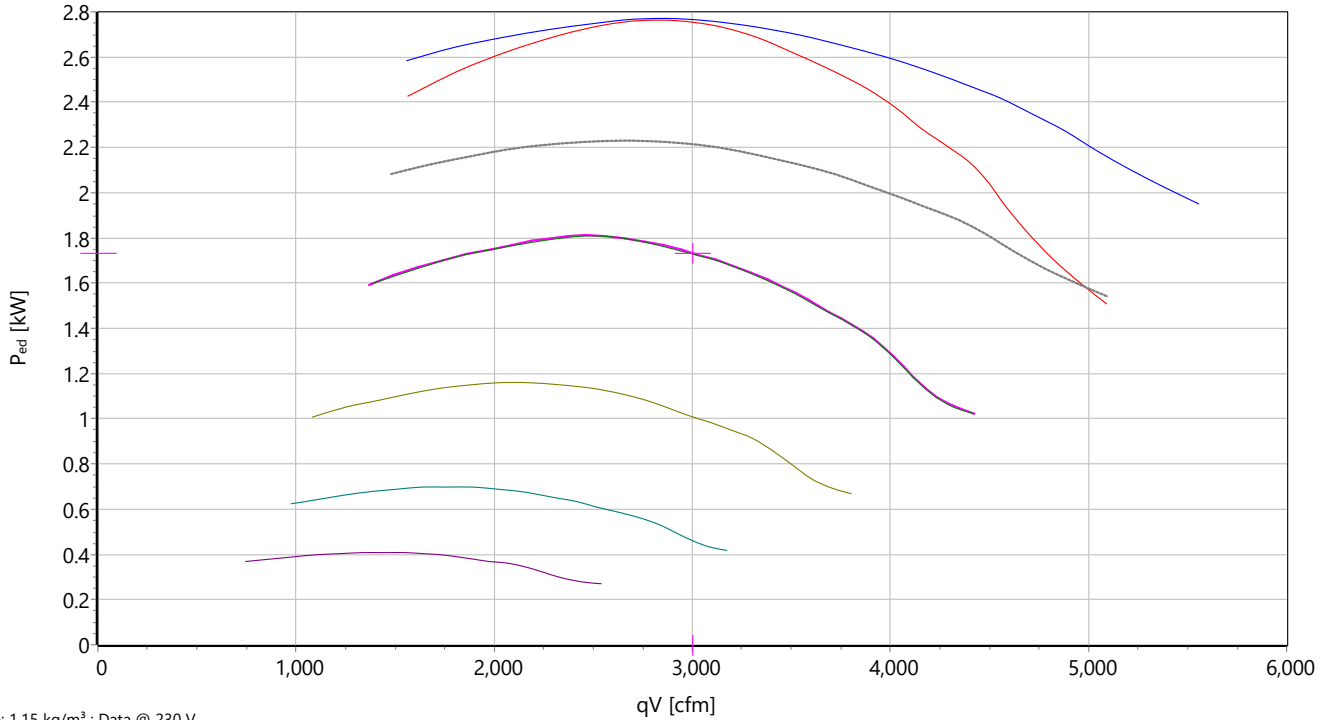




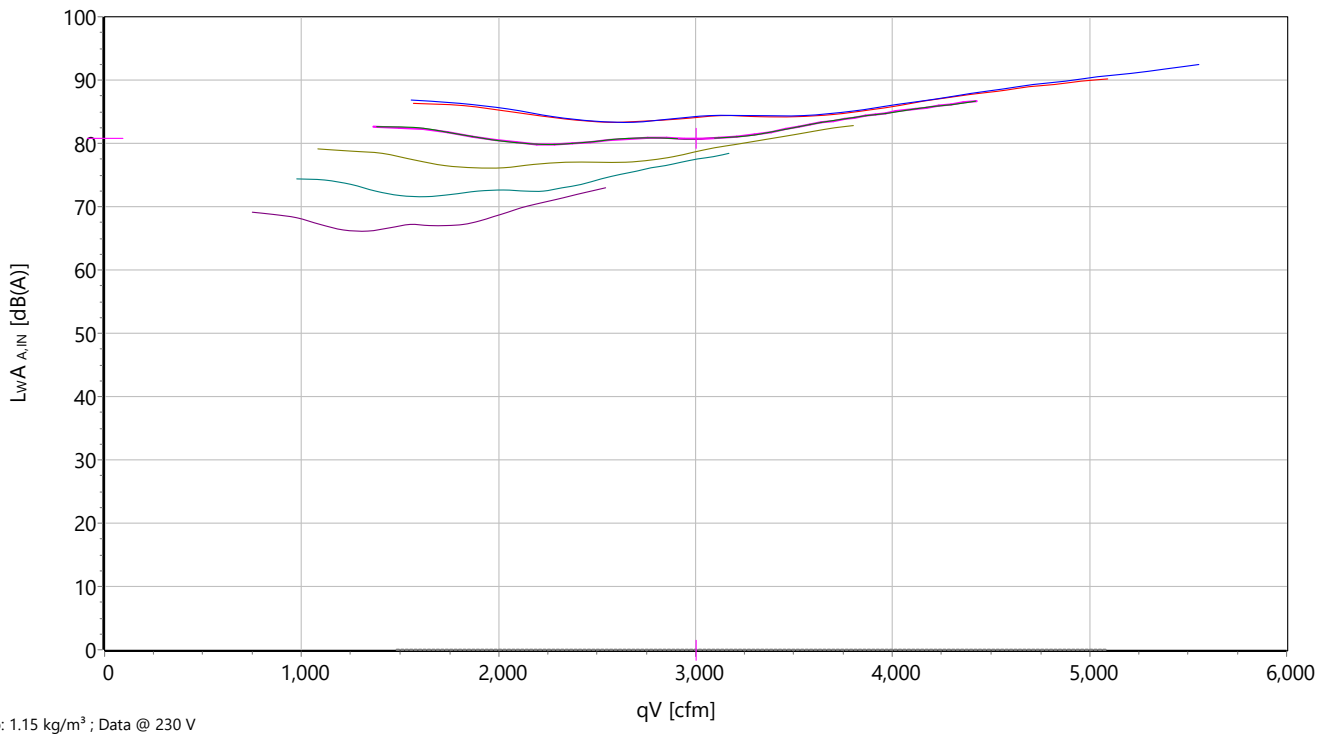
Type: **GKHM 355-CII.118.6FF IE Gen3**  
 Module Classic  
 Part no.: N88-35702



**Input power**



**Sound power**

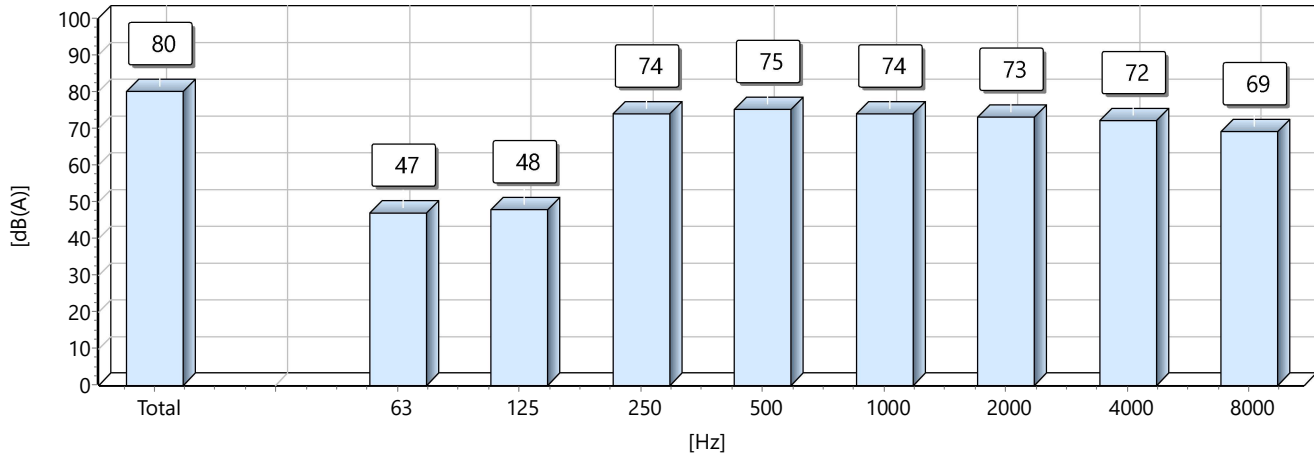




Type: **GKHM 355-CII.118.6FF IE Gen3**  
 Module Classic  
 Part no.: N88-35702



## LwA(in)



## LwA(out)

