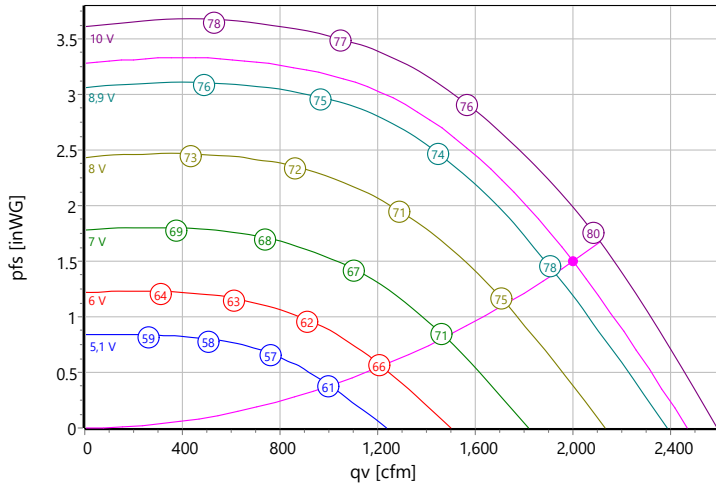




Type: **GKHR 315-CIB.100.5FA IE**
Motorized Impeller
Part no.: N86 31807 & 31808



Curve:



p: 1.15 kg/m³; Data @ 230 V

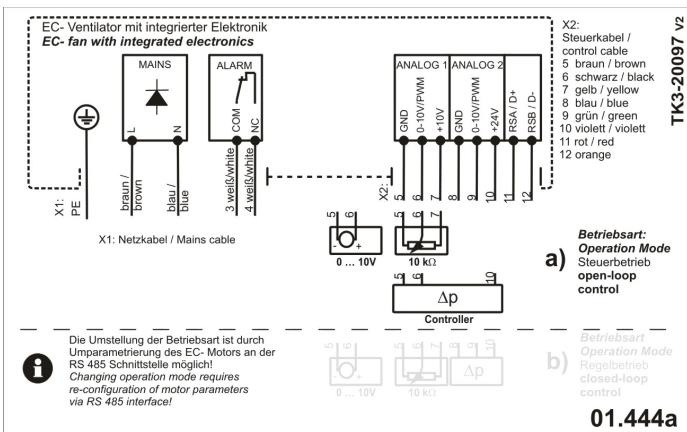
Nominal Data:

U [V]	f [Hz]	Data @ [V]	P _{ed} [kW]	I _N [A]	n _N [r/min]	t _R [°C]	k ₁₀ [m ² /h]	Eff.-Rating	IP	m [kg]
1~200-277	50/60	230	1	4.4	2500	-25 .. +40	75	IE4	IP 54	10.5

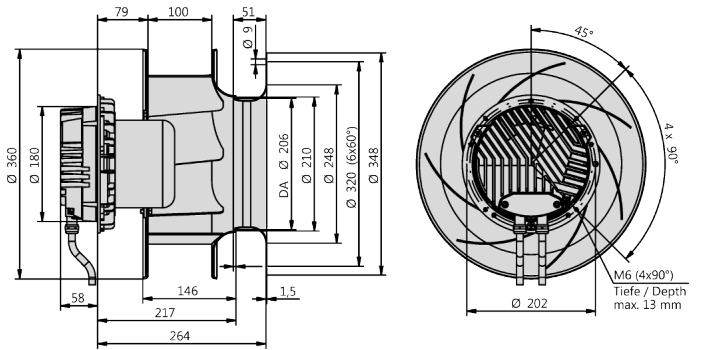
Sound Data:

Frequency	Σ	63Hz	125Hz	250Hz	500Hz	1kHz	2kHz	4kHz	8kHz	Distances	1 m	4 m
LwA(A,in) [dB(A)]	79	49	56	71	74	72	71	70	64	LpA(A,in) [dB(A)]	72	62
LwA(A,out) [dB(A)]	86	51	58	77	80	81	79	76	65	LpA(A,out) [dB(A)]	79	69

Wiring Diagram:



Drawing:



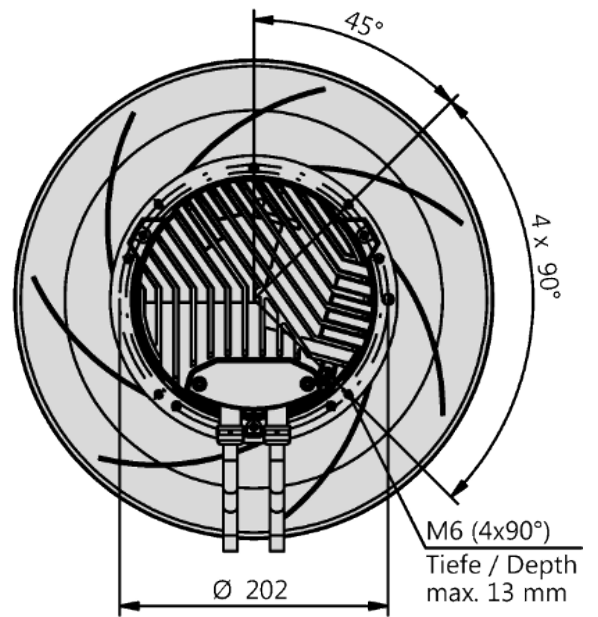
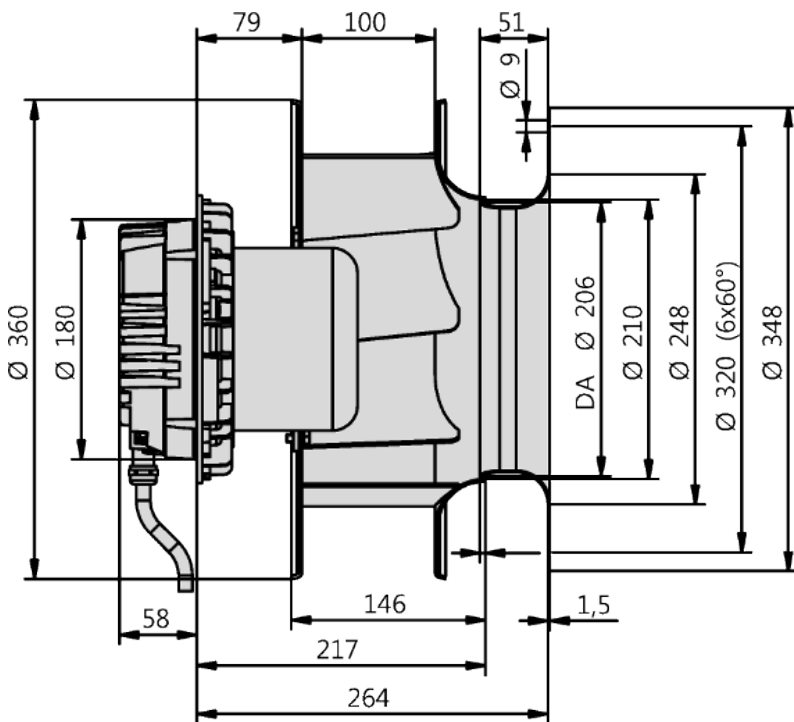
Attention: Start-up times up to ~ 20 - 60 sec. depending on motor-impeller combination, motor load and number of operation.
Please note during project planning (e.g. for condenser units in refrigeration circuits!)



Type: **GKHR 315-CIB.100.5FA IE**

Motorized Impeller

Part no.: N86-31807

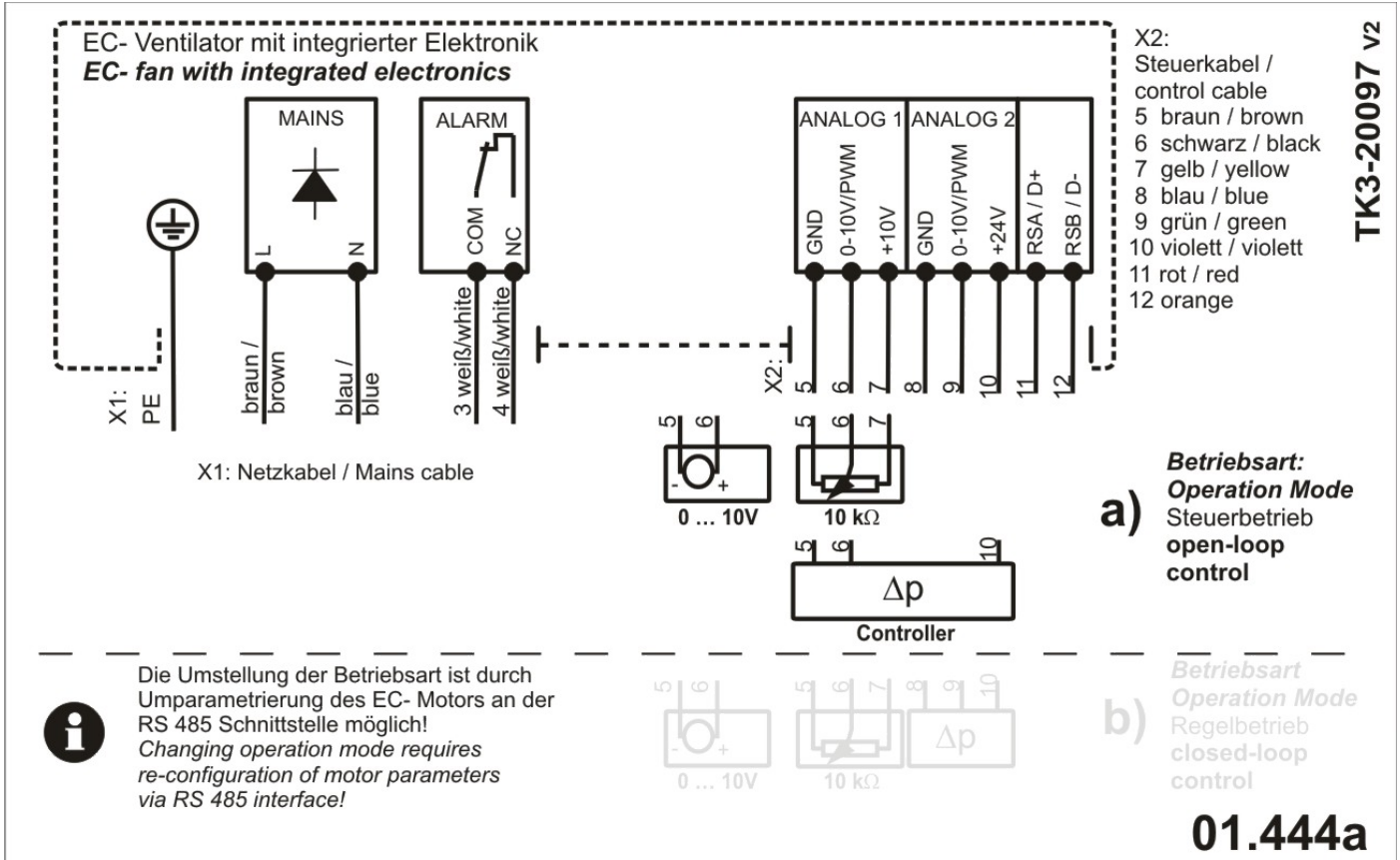




Type: **GKHR 315-CIB.100.5FA IE**

Motorized Impeller

Part no.: N86-31807

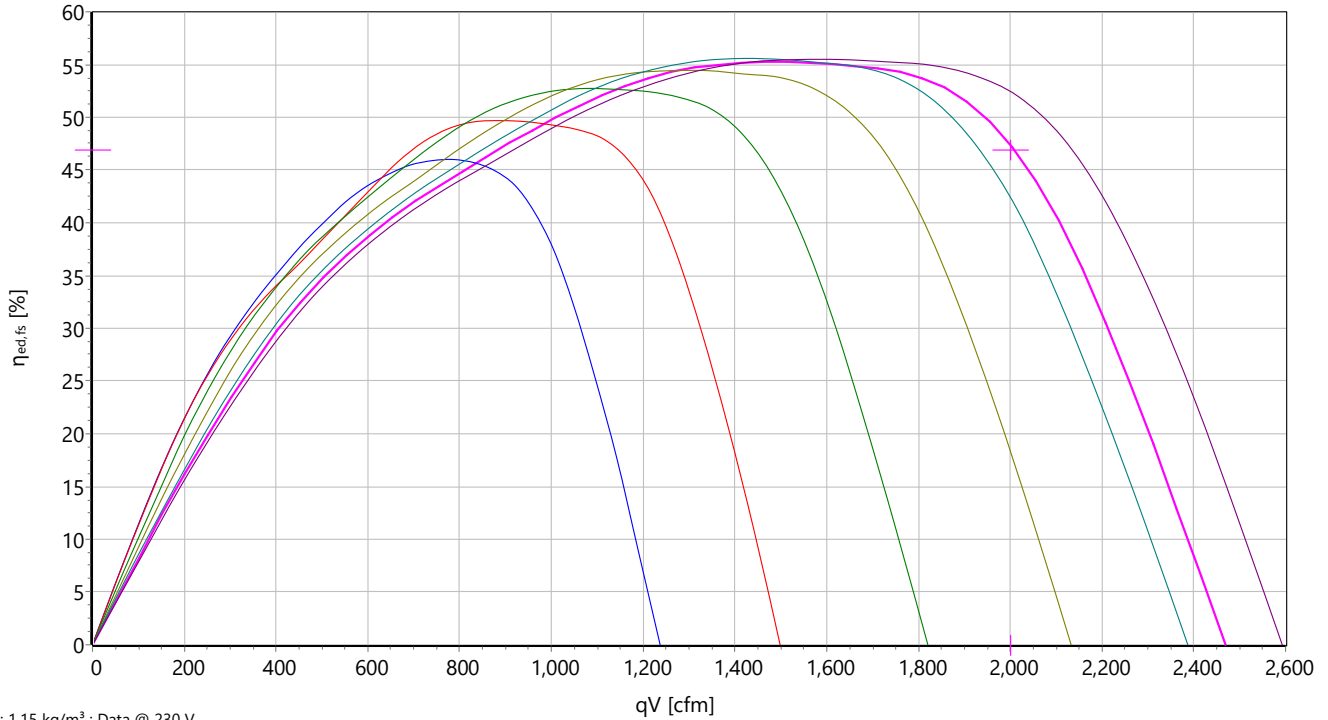




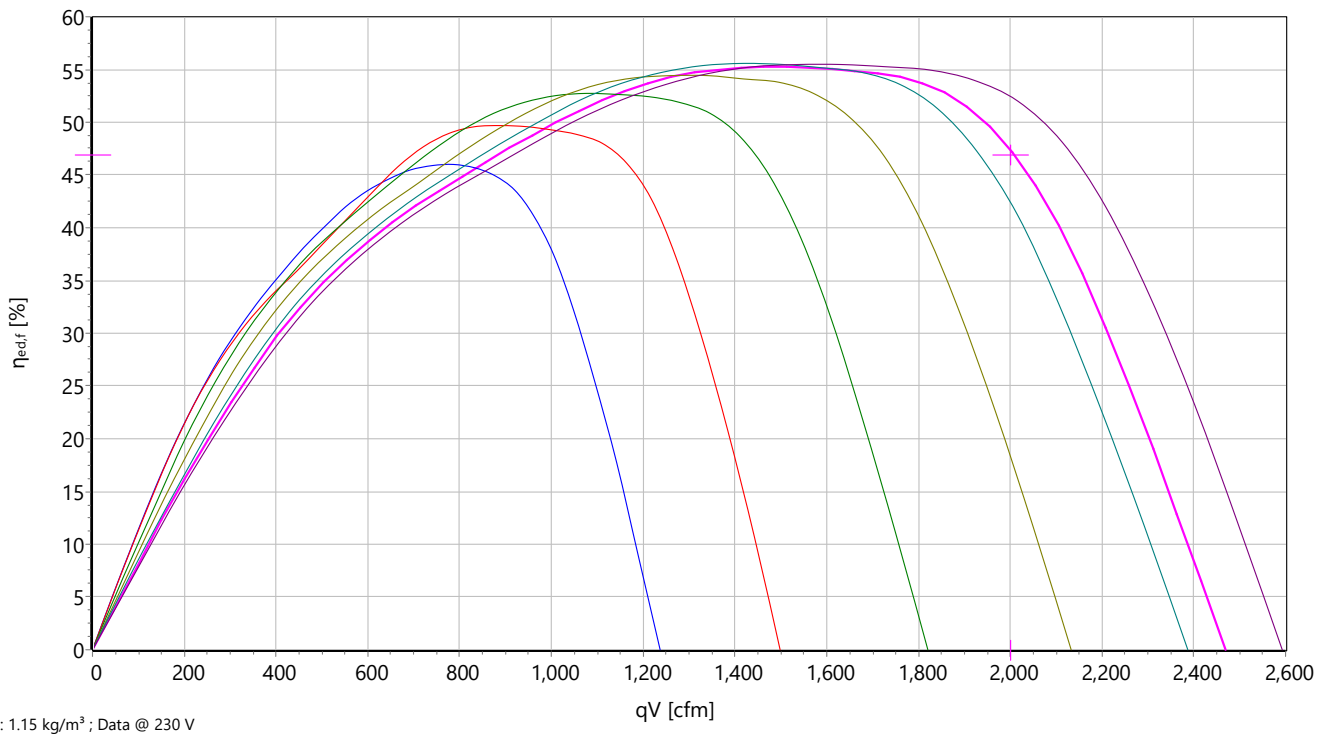
Type: **GKHR 315-CIB.100.5FA IE**
 Motorized Impeller
 Part no.: N86-31807



stat. Efficiency



tot. Efficiency

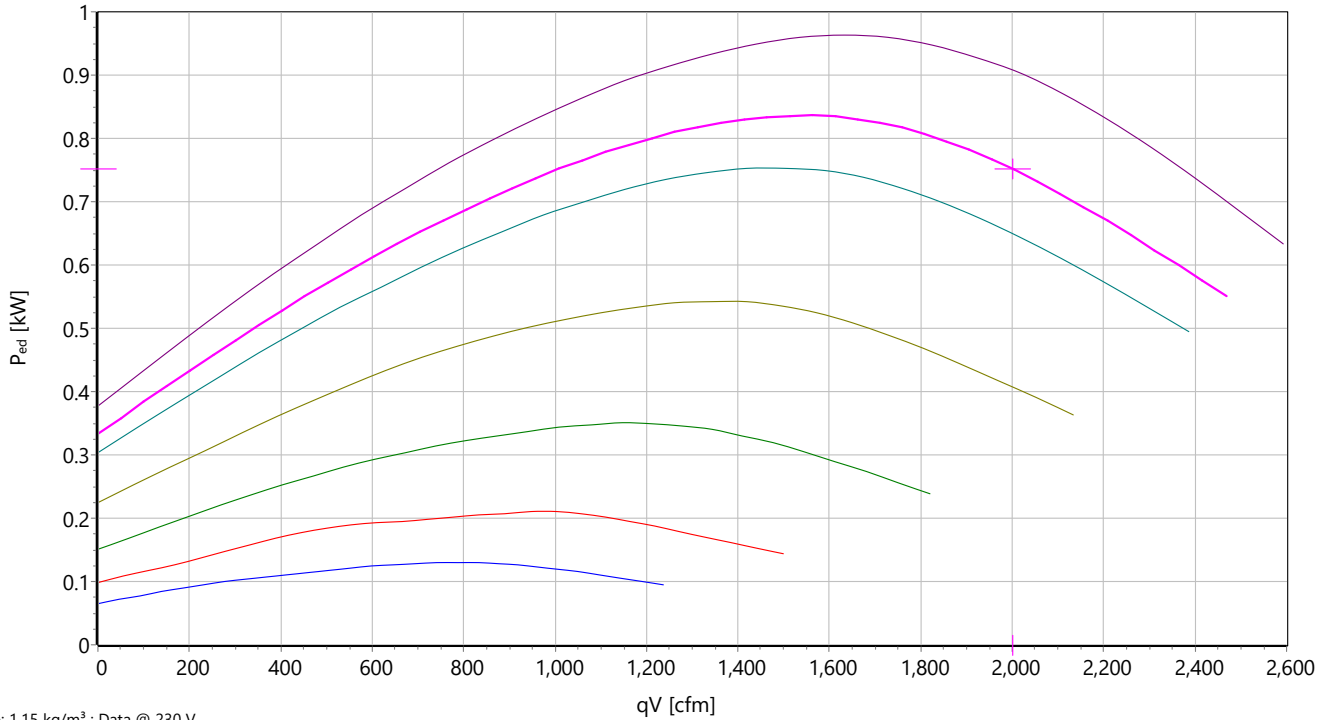




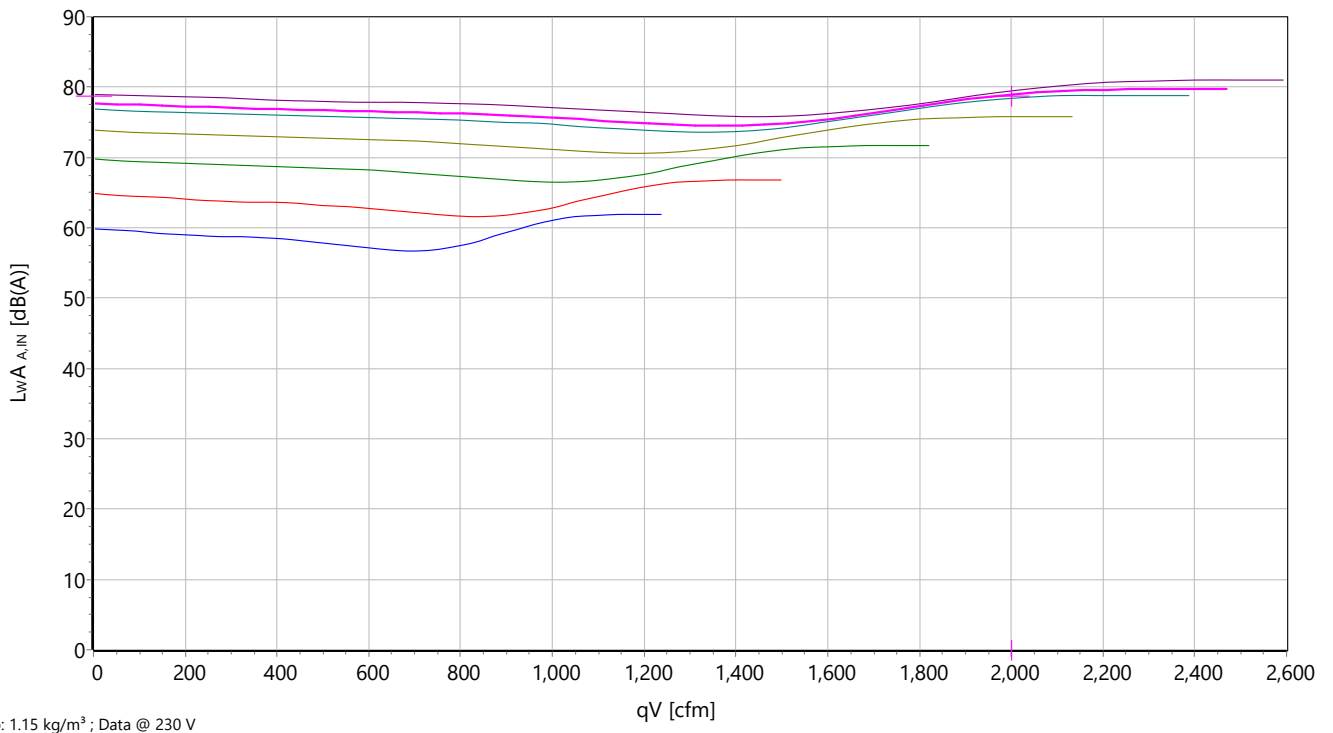
Type: **GKHR 315-CIB.100.5FA IE**
 Motorized Impeller
 Part no.: N86-31807



Input power



Sound power

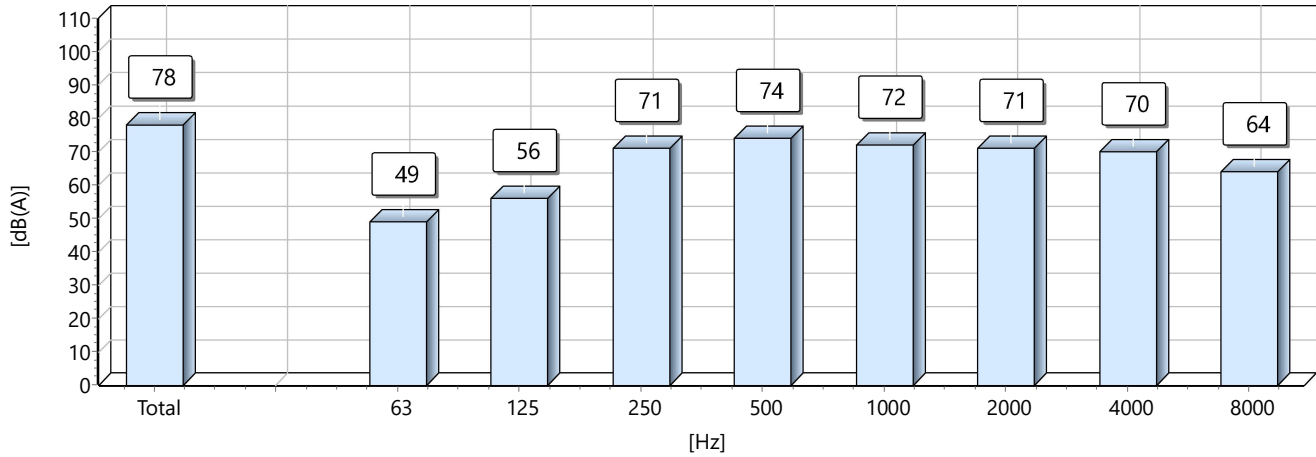




Type: **GKHR 315-CIB.100.5FA IE**
 Motorized Impeller
 Part no.: N86-31807



LwA(in)



LwA(out)

