



2RREu35 225x50R

Q17-A1 p



**DATA SHEET**

release. 0 - Revision 10-2016

Voltage	Frequency	Input Power	Input Current	Capacitor	Airflow	Rotation speed	Acoustic level	Direction rotation	Admissible Temperature
V	Hz	W	A	µF	m³/h	RPM	dBA	↻	Min/Max
230	50	90	0,4	4,0	1150	2710	69	R	-40°C / +70°C
230	60	124	0,57	4,0	1290	3065	72	R	-40°C / +70°C
230	50				676 CFM				-40°F / 158°F
230	60				759 CFM				-40°F / 158°F



dBa : free blowing

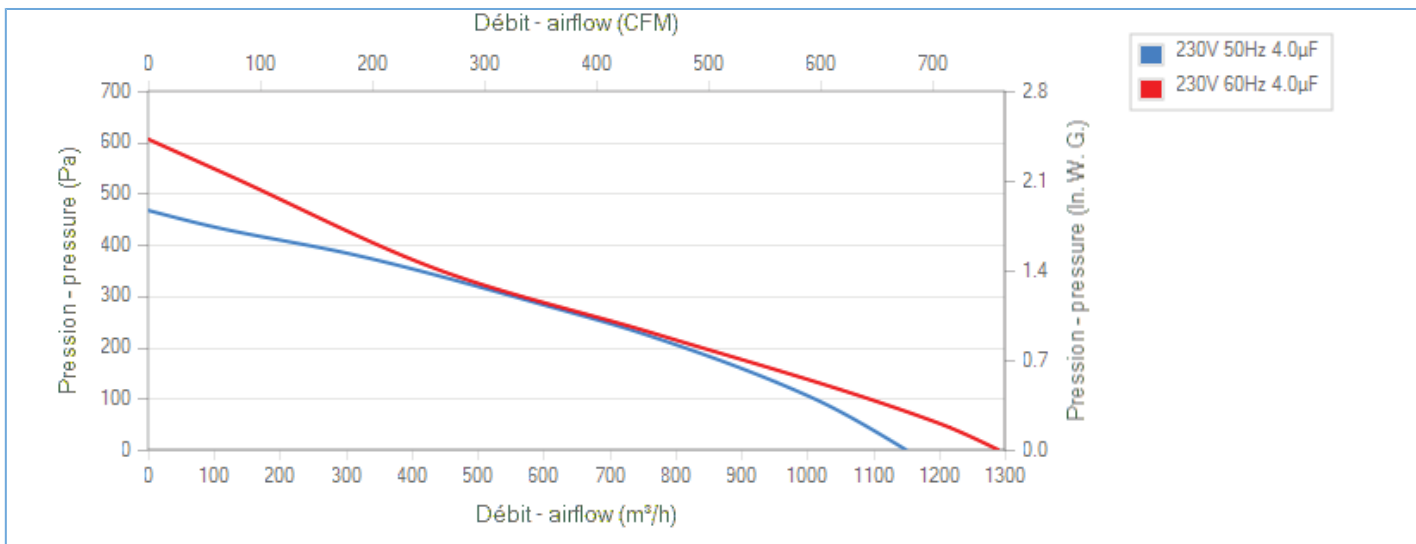
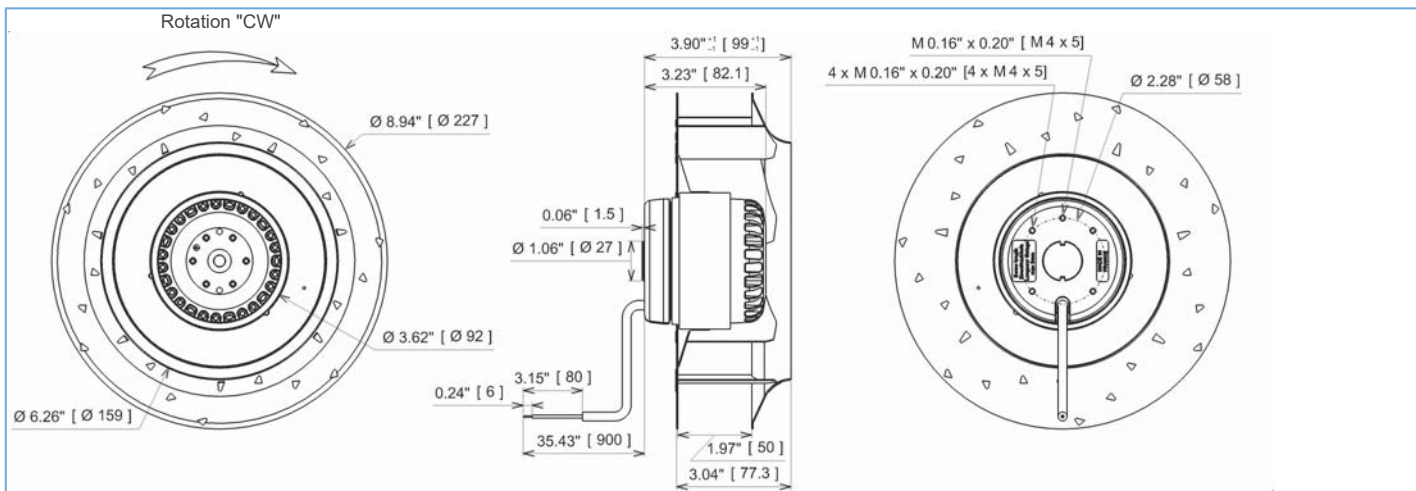
NA : not applicable

ErP 2013

NA

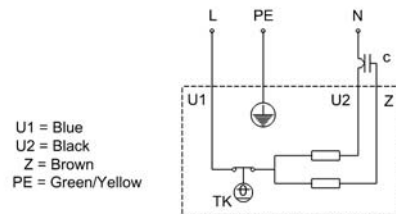
ErP 2015

NA



**Description**

- .Weight : 2,4 Kg
- .Ball bearing
- .Class F, thermally protected
- .IP44 protection depending on installation and position as per EN60034-5
- .G2.5 balancing
- .Rotor : black paint
- .Galvanized steel impeller



Non contractual document. All specifications are subject to change without prior notice. Picture for information only.



2RREu35 225x50R

Q17-A1 p



# DATA SHEET

release. 0 - Revision 10-2016

## Data in accordance to ErP directive

Voltage	230	V
Frequency	50	Hz
Power	0,123	kW <sup>(1)</sup>
Airflow	756	m <sup>3</sup> /h <sup>(1)</sup>
Pressure	224	Pa <sup>(1)</sup>
Rotation speed	2463	RPM <sup>(1)</sup>

(1) at optimal efficiency point

ErP directive (EU 2009/125/EC) not applicable :  
Power at optimum energy efficiency point

## Accessories

- 19220
- 19220
- 21194
- 16236

## Measurement setup

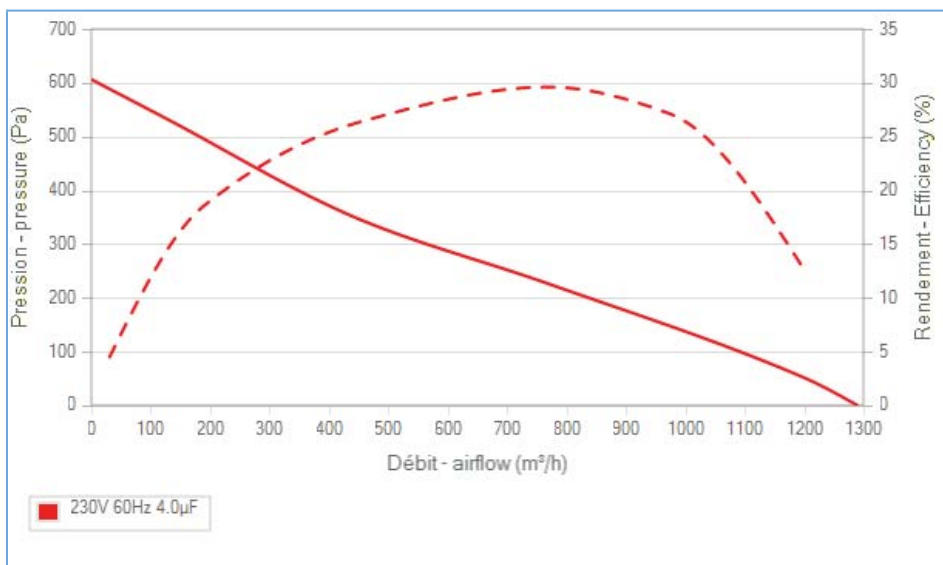
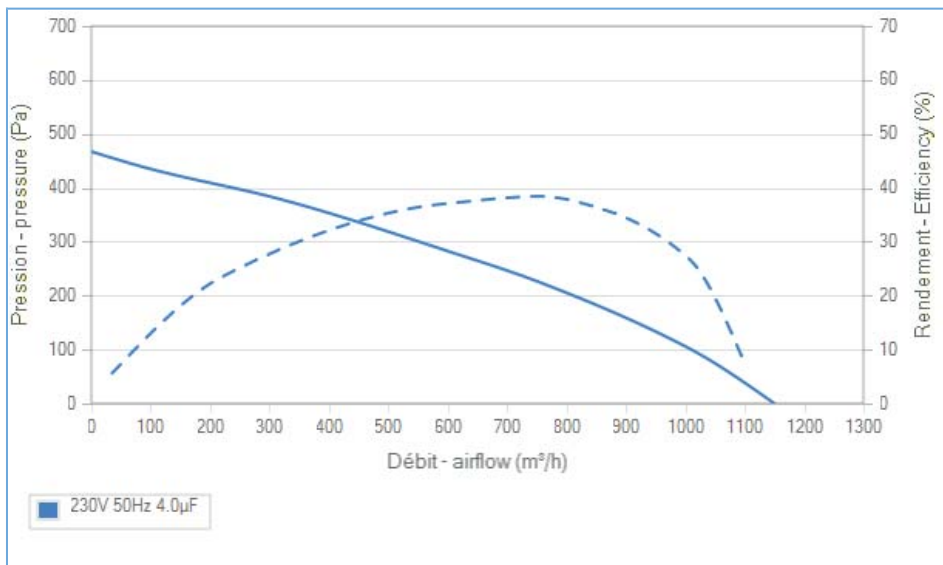
- 16236

## Documents

- Manuel d'utilisation  
[www.ecofit.com/site/normes](http://www.ecofit.com/site/normes)
- Operating and recycling manual  
[www.ecofit.com/anglais/normes](http://www.ecofit.com/anglais/normes)



UL2111 (XEWR2,8)  
N° file E135223  
2RS935



Non contractual document. All specifications are subject to change without prior notice. Picture for information only.