

ETRI 137D



ETRI®

rosenberg[®] ECOFIT
ETRI
THE AIR MOVEMENT GROUP
VENDÔME



Air is our element

... moving it intelligently and efficiently is our passion.

ETRI – Etudes Techniques et Représentations Industrielles (Technical Design and Industrial Image) was created in 1945. It was at first only a design office. ETRI began in ventilation with air treatment in mines and has then extended its activity to many different application types.

It has been taken over by ECOFIT in 2002. ECOFIT, which became ROSENBERG VENDÔME in 2020, is part of the ROSENBERG Group. We design, manufacture and sell electric motors and fans applications since 1976.

Thanks to a good comprehension of your project, our 70 years Know-How, and our Added Value as technical support, we validate and optimise together a Customized solution meeting outstanding Quality standards.

Consult us right from the beginning of your design!

ETRI®



Customer specific developments enable a smooth operation also at:

- Voltage peaks
- High shock stress
- Vibrations
- Varying weather conditions and thermal stresses

... and offer flexible solutions for:

- Optimal airflow
- Various operation voltages
- Maximum efficiencies at variable speeds
- Minimum maintenance

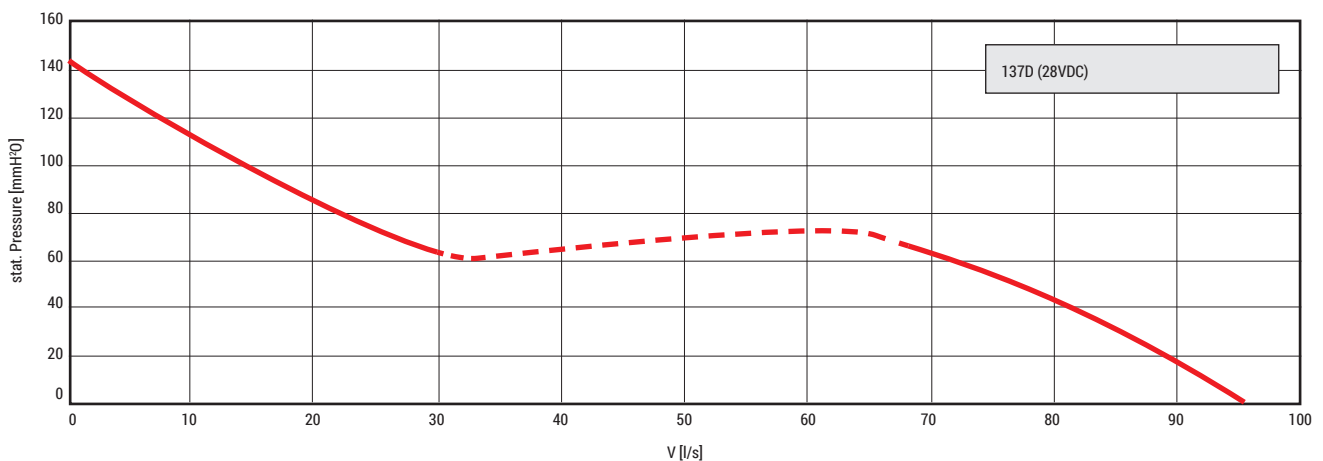
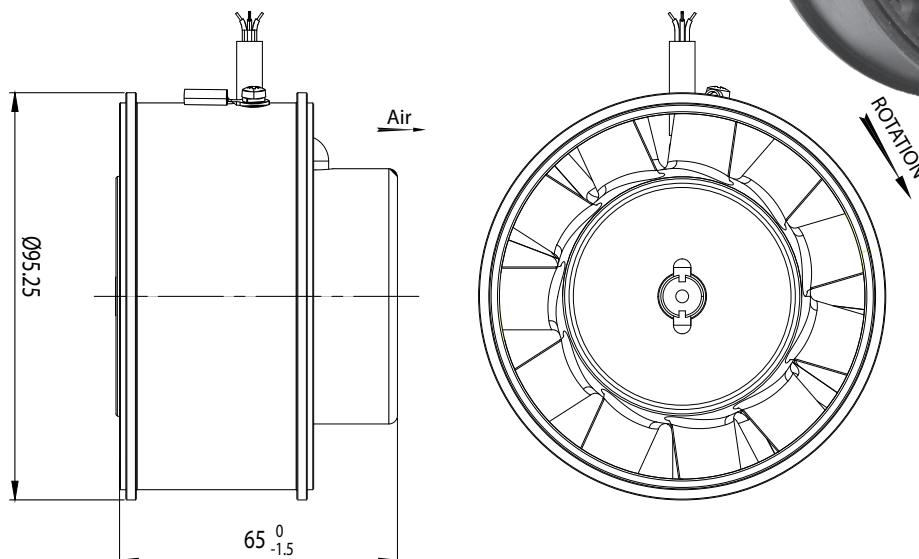
Rosenberg Vendôme
Vendôme (France)

137D

ETRI High Performance axial DC fan

New ETRI High Performance fan specially protected against shocks and vibrations to be used in harsh environments and appropriate for defense applications.

- 28VDC
- compact dimensions: Ø95mm, thickness 65mm
- protection against harsh environments
- Operating temperature: -40/+85 C°
- Shock protection (30g 11ms)
- IP protection: up to IP65
- Output: Speed sensor
- Soft start without peak inrush



Contact us from the beginning of your projet:

Rosenberg Vendôme SAS
13 rue Marc Seguin - ZI Sud
41100 Vendôme
France

 +33 (0)2 54 23 14 54
www.rosenberg-vendome.com
www.etrinet.com
info@etrinet.com

