



Size Range 120 x 120 x 38 mm 4,72 x 4,72 x 1,5 " BDC AXIAL FAN

### TECHNICAL DATA

#### Characteristics

- Weight: 0,33 Kg / 0,73 Lb
- Housing in plastic UL 94 V-0
- Impeller in plastic UL 94 V-0
- L-10 life expectancy at 40°C: 80.000 hours
- Operating temperature range: -40 / +70 °C except DX and DZ : -20 / +70 °C
- Storage temperature: -40 / +70°C
- Connection: Leads
- Brushless DC motor
- Integrated circuit
- IP20

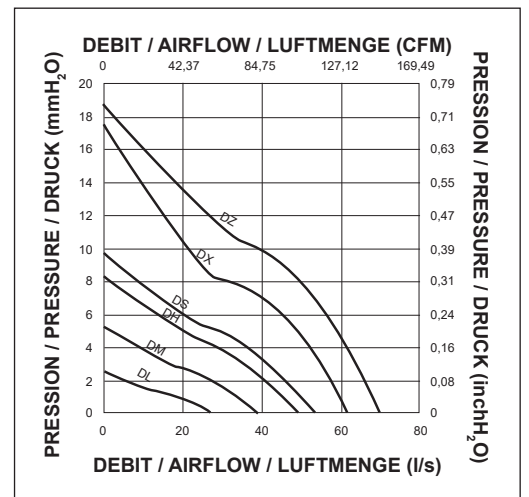
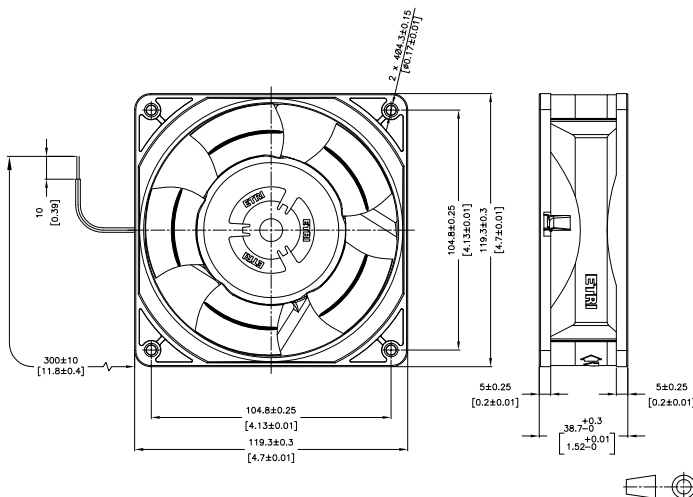
#### Options

- Speed sensor
- Alarm
- Other IP levels
- Other voltages
- PWM in development
- Special construction : salt spray, dry cold, wet heat, shock, vibration. Contact us for more information.

### ELECTRICAL AND AERAILIC DATA

Part Number	Voltage	Voltage range	Airflow		Pressure		Nominal speed	Noise level LP	Nominal current	power
	V		l/s	CFM	mm H <sub>2</sub> o	inch H <sub>2</sub> o	RPM	dBA	mA	W
125DL1LP11000 A	12	6V-15V	27,00	57,24	2,52	0,10	1725	30	115	1,38
125DL2LP11000 A	24	14V-28V	27,00	57,24	2,52	0,10	1725	30	65	1,56
125DL4LP11000 A	48	22V-56V	27,00	57,24	2,52	0,10	1725	30	39	1,85
125DM1LP11000 A	12	6V-15V	39,00	82,68	5,27	0,21	2450	38	230	2,76
125DM2LP11000 A	24	14V-28V	39,00	82,68	5,27	0,21	2450	38	130	3,12
125DM4LP11000 A	48	22V-56V	39,00	82,68	5,27	0,21	2450	38	67	3,19
125DH1LP11000 A	12	6V-15V	49,00	103,88	8,32	0,33	3080	43	435	5,22
125DH2LP11000 A	24	14V-28V	49,00	103,88	8,32	0,33	3080	43	197	4,73
125DH4LP11000 A	48	22V-56V	49,00	103,88	8,32	0,33	3080	43	122	5,85
125DS1LP11000 A	12	6V-15V	53,00	112,36	9,75	0,38	3480	46	695	8,34
125DS2LP11000 A	24	14V-28V	53,00	112,36	9,75	0,38	3480	46	306	7,34
125DS4LP11000 A	48	22V-56V	53,00	112,36	9,75	0,38	3480	46	164	7,87
125DX1LP11000 A	12	6V-15V	61,10	129,53	16,83	0,66	3870	48	730	8,80
125DX2LP11000 A	24	14V-28V	61,10	129,53	16,83	0,66	3870	48	400	9,60
125DX4LP11000 A	48	22V-56V	61,10	129,53	16,83	0,66	3870	48	210	10,10
125DZ1LP11000 A	12	6V-15V	69,44	147,21	18,35	0,72	4400	51	1050	12,60
125DZ2LP11000 A	24	14V-28V	69,44	147,21	18,35	0,72	4400	51	690	13,90
125DZ4LP11000 A	48	22V-56V	69,44	147,21	18,35	0,72	4400	51	290	13,90

### DRAWING AND AIRFLOW CURVE



Non contractual document. All specifications are subject to change without prior notice. For professional use only. Please refer to the conditions of use of our catalogue.