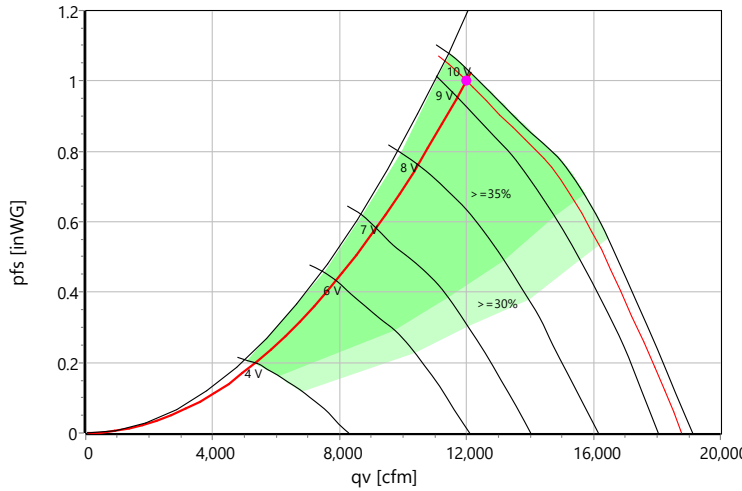




Type: **AKFG 800 N.6NA A6 Gen3**
Installation type 6 direction of airflow V with square nozzle plate
Part no.: E66-80672



Curve:



p: 1.21 kg/m³; Data @ 400 V

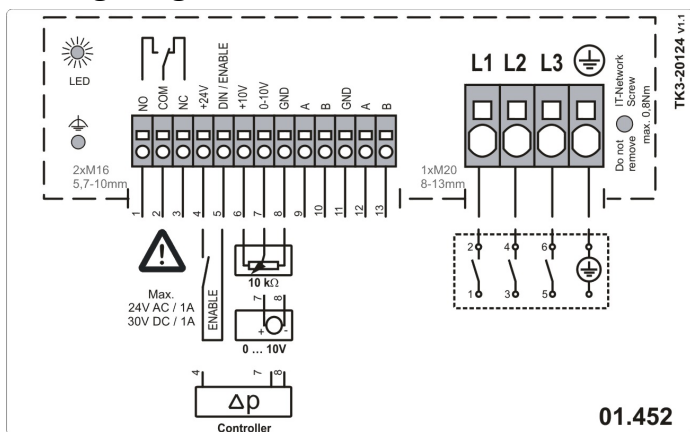
Nominal Data:

U [V]	f [Hz]	Data @ [V]	P _{ed} [kW]	I _N [A]	n _N [r/min]	t _R [°C]	k ₁₀ [m ² s/h]	Eff.-Rating	IP	m [kg]
3~380-480	50/60	400	3.5	5.4	1130	-25 .. +60	-	IE5	IP 54	48
		460		4.8						

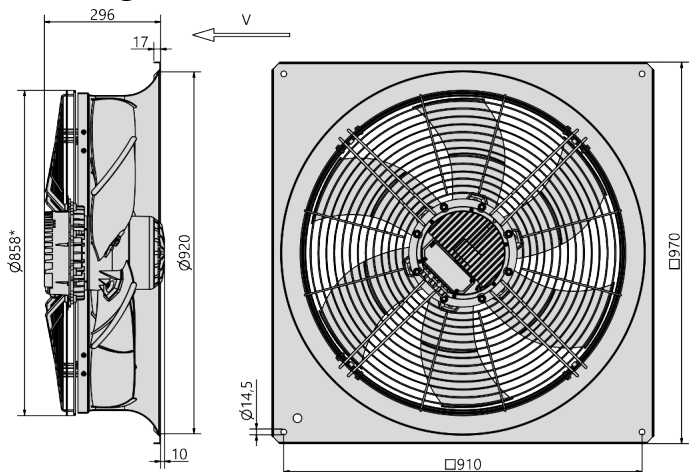
Sound Data:

Frequency	Σ	63Hz	125Hz	250Hz	500Hz	1kHz	2kHz	4kHz	8kHz	Distances	1 m	4 m
Lw(A,in) [dB]	90	88	82	80	81	78	76	70	69	Lp(A,in) [dB]	83	73
Lw(A,out) [dB]	94	93	88	85	83	80	77	71	67	Lp(A,out) [dB]	87	77

Wiring Diagram:



Drawing:

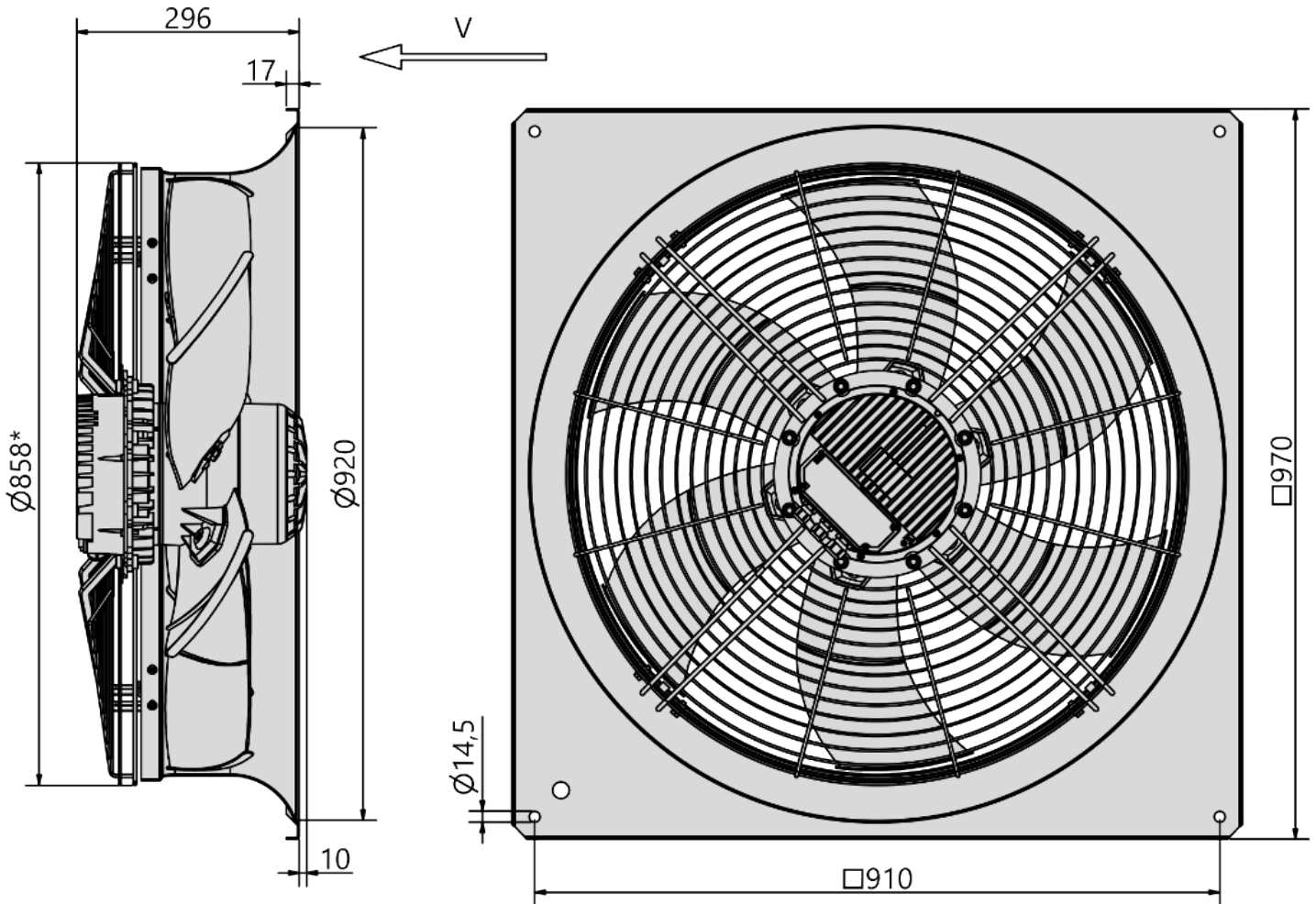


* Maß über Hauptstreben gemessen / dimension measured over main struts

Attention: Start-up times up to ~ 20 - 60 sec. depending on motor-impeller combination, motor load and number of operation.
Please note during project planning (e.g. for condenser units in refrigeration circuits!)



Type: **AKFG 800 N.6NA A6 Gen3**
 Installation type 6 direction of airflow V with square nozzle plate
 Part no.: E66-80672



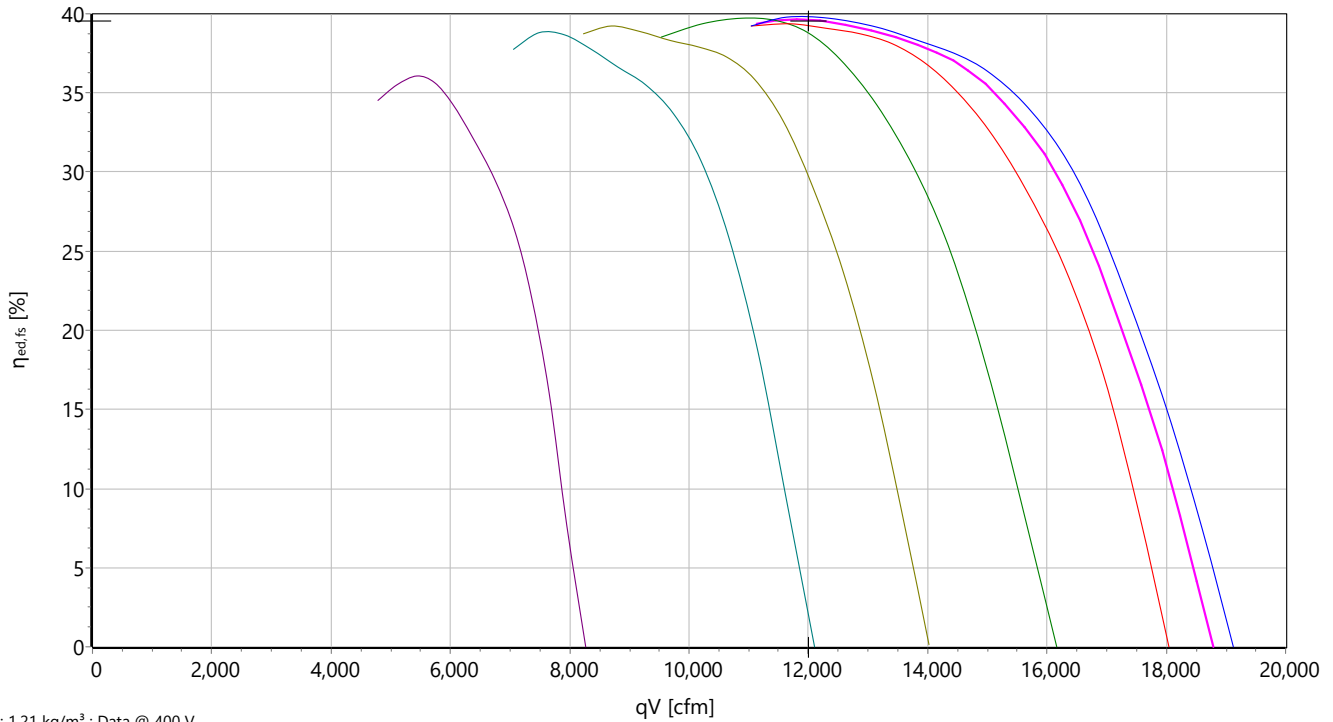
* Maß über Hauptstreben gemessen / dimension measured over main struts



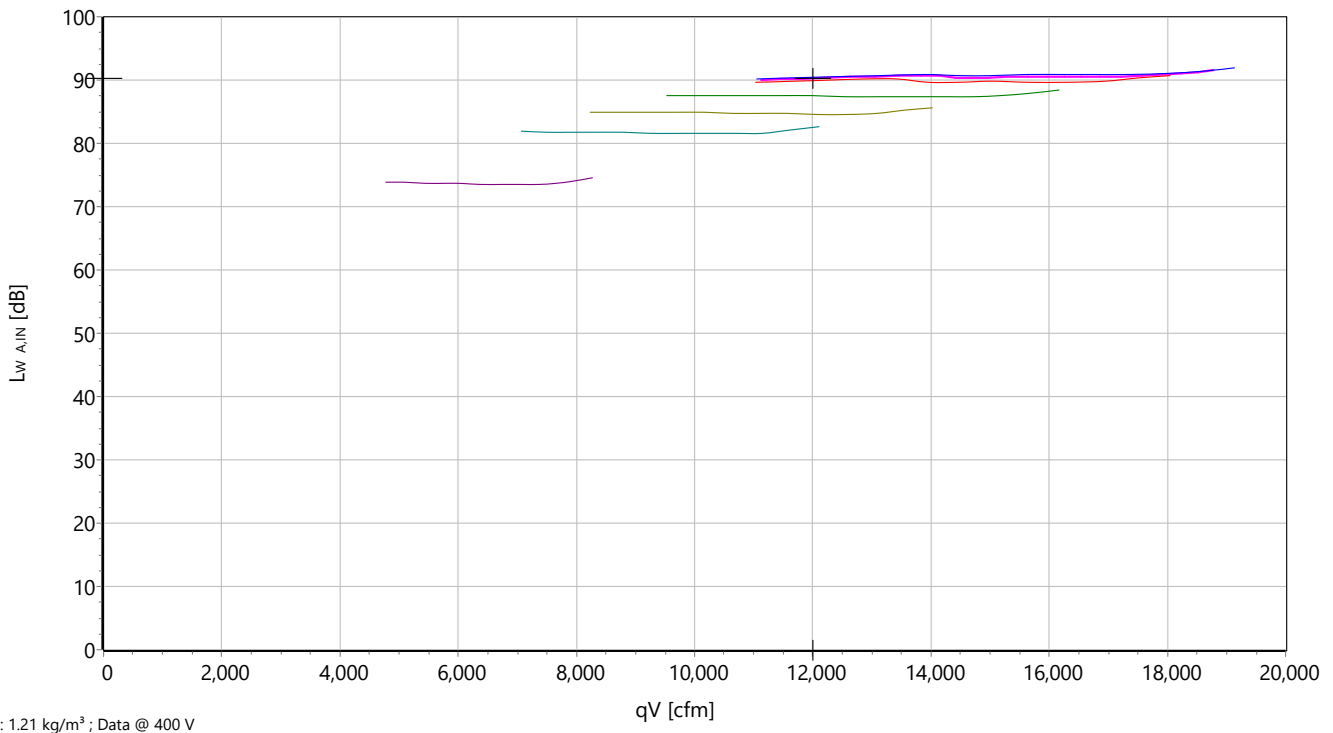
Type: **AKFG 800 N.6NA A6 Gen3**
Installation type 6 direction of airflow V with square nozzle plate
Part no.: E66-80672



stat. Efficiency



Sound power





Type: **AKFG 800 N.6NA A6 Gen3**
 Installation type 6 direction of airflow V with square nozzle plate
 Part no.: E66-80672



Speed

