

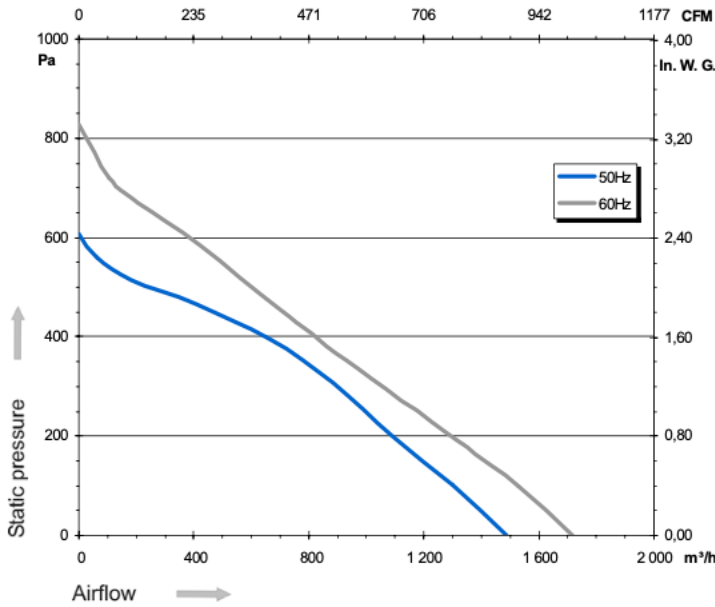
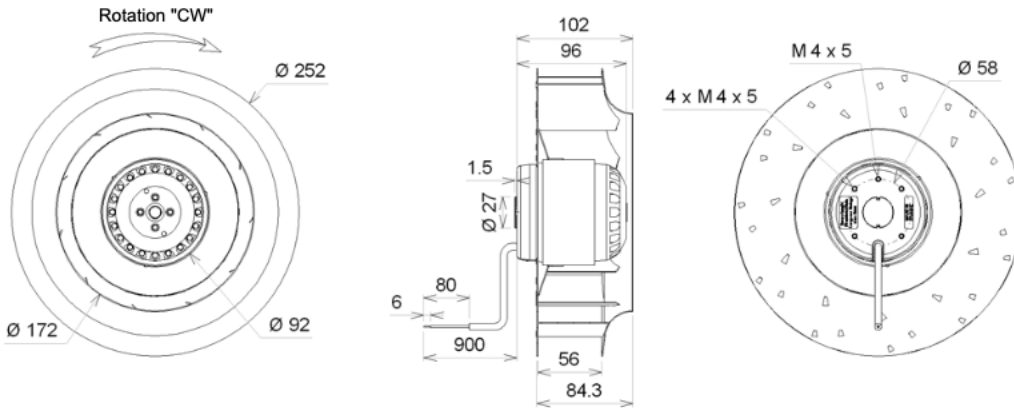
Ind. 0 - Revision : 07-2005

2RREu45 250x56R P/N E15-A5

Substitute for B12-A4 and H31-A2
X24-A0 = H31-A2 with sealed bearings



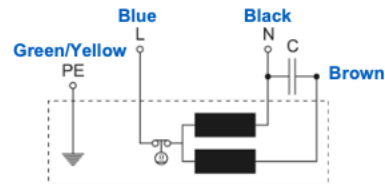
Voltage	Frequency	Input Power	Current	Capacitor	Airflow	Speed rotation	Noise level	Rotation direction	Operating temperature
V	Hz	Wa	A	µF	m³/h	RPM	dBA	↻	Min / Max
115	50	182	1,59	25,0	1 490	2 720	74	R	-40°C / +60°C
115	60	245	2,14	25,0	1 715	3 095	77	R	-40°C / +70°C



- Ball bearing
- Class F, thermally protected
- IP44 protection
- G2.5 balancing
- Rotor : black paint
- Galvanized steel impeller
- UL approved motor



Capacitor for 50Hz	Capacitor for 60Hz	Inlet cone
19257-0	19257-0	16114-0



Non contractual document. All specifications are subject to change without prior notice. Picture for information only.